

FFowlet-ECblue

for single phase alternating current, 200-277 V

FF091



Description

Motor technology: EC
 Rated voltage U_N : 1~ 200-277 V*
 Rated frequency f_N : 50/60 Hz*
 Input power P_{sys} : 0.96 kW*
 Rated current I_N : 5.00- 3.60 A*
 Rated speed n_N : 950 min⁻¹*
 Thermal class: THCL155*
 Min. permitted ambient temperature $t_{R(min)}$: -35 °C ***
 Max. permitted ambient temperature $t_{R(max)}$: 40 °C
 Electrical connection: Integrated controller with attached cable
 Number of blades: 3
 Degree of protection : IP55
 Motor protection: Integrated active temperature management
 Blades: Aluminium, powder-coated, ultramarine blue
 Rotor: Aluminium, 1 coat paint, ultramarine blue
 Conformity: ErP 2015, CE, UL

ErP-data

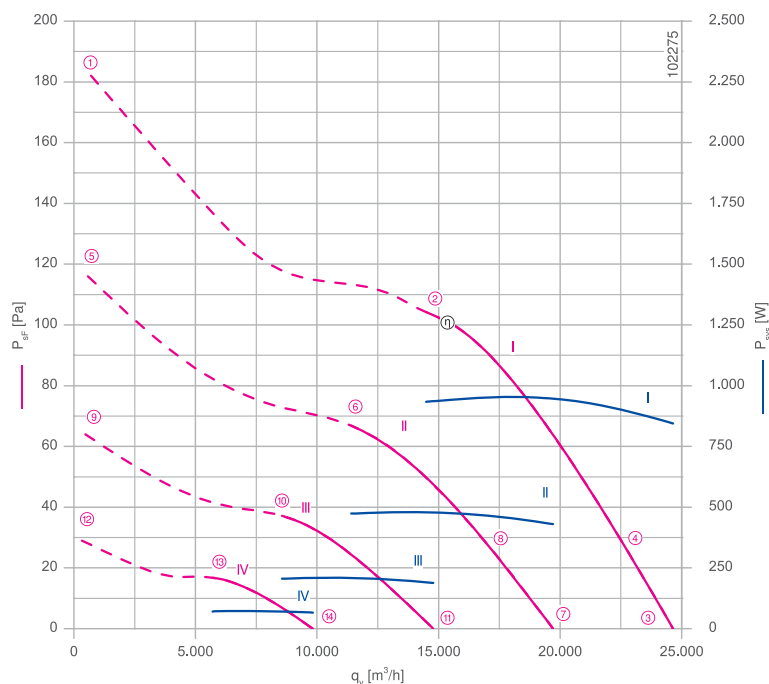
Efficiency η_{statA} : 51.3%
 Efficiency: $N_{actual} = 57.8 / N_{target} = 40^{**}$
 EC controller integrated

* Rated data

**ErP 2015

*** Continuous operation with occasional starts (S1) according to DIN EN 60034-1:2011-02. Occasional starting between -35 °C and -25 °C is permissible. Continuous operation below -25 °C only with special bearings for refrigeration applications on request.

Characteristic curve



Measured in full bell mouth without guard grille in installation type A according to ISO 5801.

Connection diagram Page 173

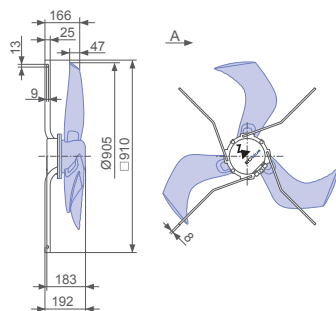
0-10 V 1360-389
 10-0 V

System components Page 110

Dimensions mm

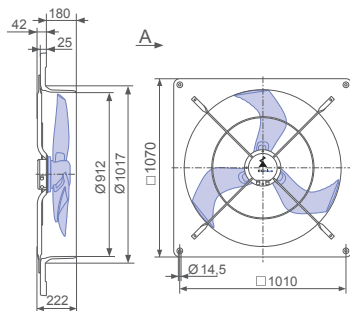
Airflow direction A

Design T - for installation in chimney exhausts, without guard grille



L-KL-3037-01

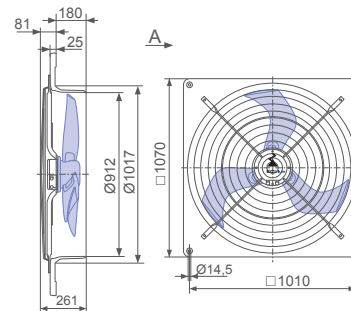
Design Q - square full bell mouth, without guard grille



L-KL-3036-01

Wall ring plate made of composite material

Design Q - square full bell mouth, guard grille suction side



L-KL-3044-01

Wall ring plate made of composite material



