

C-series

for three phase alternating current, 4 pole

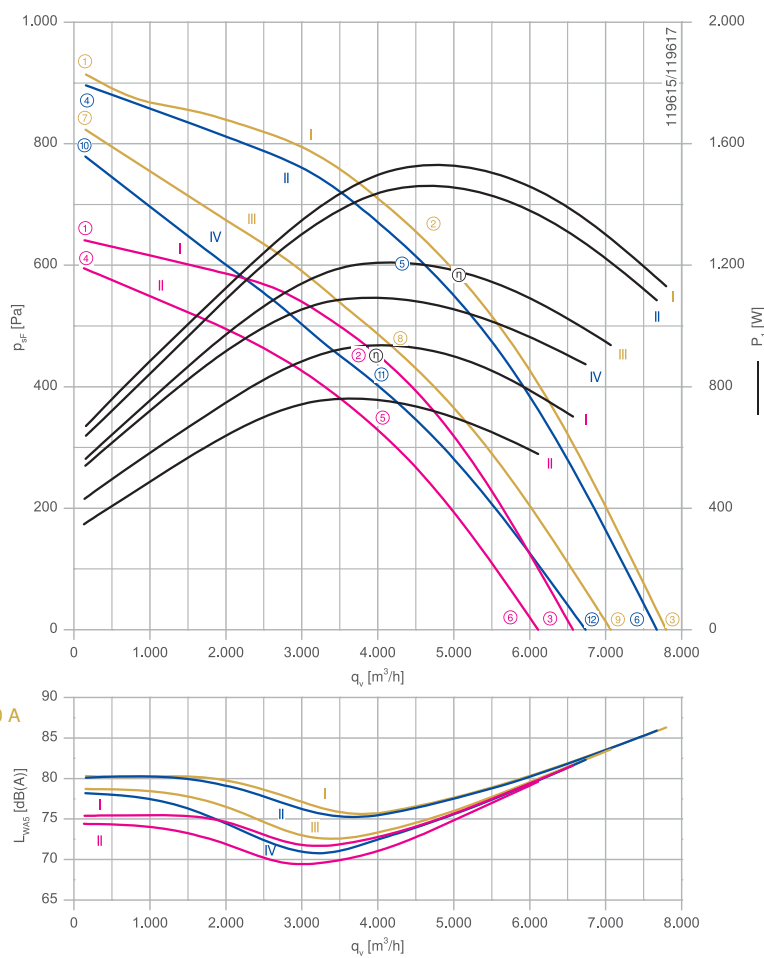
RH45C-4D



Description

Motor technology: AC
 Rated voltage U_N :
 3~ 230/400 V (Δ/Y) | 3~230/400 V (Δ/Y) | 3~265/460 V (Δ/Y) *
 Rated frequency f_N : 50 Hz | 60 Hz | 60 Hz*
 Input power P_i :
 940 W | 1.45 kW | 1.55 kW*
 Rated current I_N :
 3.60/2.10 A | 4.30/2.50 A | 4.30/2.50 A*
 Rated speed n_n :
 1430 min⁻¹ | 1650 min⁻¹ | 1680 min⁻¹*
 Starting current I_A : 26,00/15,00 A | 24,00/14,00 A | 28,00/16,00 A
 Current increase ΔI : 15 % | 20 % | 20 %
 Thermal class: THCL155*
 Min. permitted ambient temperature $t_{R(min)}$: -40 °C***
 Max. permitted ambient temperature $t_{R(max)}$:
 70 °C | 65 °C | 65 °C
 Electrical connection: Supply cable side, 105cm
 Degree of protection : IP54
 Motor protection: thermal contact
 Impeller : aluminium, unpainted
 Motor: Aluminium, 1 coat paint, pebble grey
 Conformity: CE
 * Rated data
 *** Continuous operation with occasional starts (S1) according to DIN EN 60034-1:2011-02. Occasional starting between -40 °C and -25 °C is permissible. Continuous operation below -25 °C only with special bearings for refrigeration applications on request.

Characteristic curve

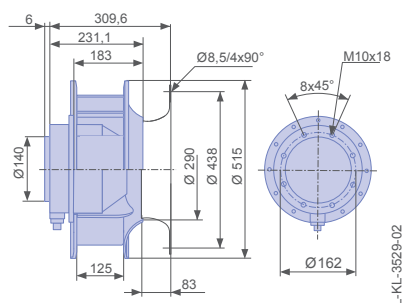


Measured with inlet ring, without guard grille according to ISO 5801

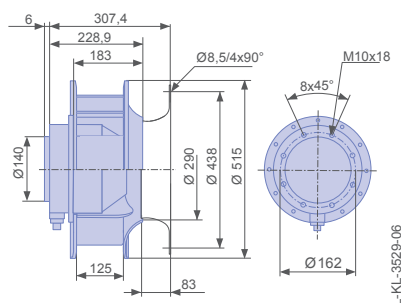
Inlet ring	00411856	RAL 7032 (pebble grey)	Page 302
Inlet ring	00411849	unpainted	
Connection diagram	1360-106XA		Page 327

Dimensions mm

Free-running motorized impeller RH in installation position H/Vu



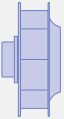
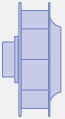
Free-running motorized impeller RH in installation position H/Vo



Type	Characteristic curve	Voltage	Frequency	Operating point	Current	Input power	Speed	Suction side sound power level L_{WA5} dB(A)
		U V	f Hz		I A	P_1 W	n min ⁻¹	
RH45C-4DK.6K.1R	I	400	50	①	1.70	440	1470	75
		400*		②	2.10*	940*	1430*	73
		400		③	1.90	700	1450	82
	II	230		④	1.20	350	1420	74
		230		⑤	2.20	760	1290	71
		230		⑥	1.70	580	1350	80
	I	460	60	①	1.65	680	1760	80
		460*		②	2.50*	1550*	1680*	77
		460		③	2.10	1150	1720	86
	II	400		④	1.50	640	1740	80
		400*		⑤	2.50*	1450*	1650*	77
		400		⑥	2.00	1100	1690	86
	III	265		⑦	1.50	560	1670	79
		265		⑧	2.90	1200	1460	74
		265		⑨	2.30	940	1560	84
	IV	230		⑩	1.55	540	1630	78
		230		⑪	3.00	1100	1370	72
		230		⑫	2.40	880	1490	82

*rated data

Fan ordering information

Design	RH*	RH*
Installation position	H/Vu	H/Vo
		
Type	RH45C-4DK.6K.1R	RH45C-4DK.6K.1R
Article no.	172180	175266
Weight kg	21.00	21.00
* inlet ring not included		