

C-series

for three phase alternating current, 4 pole

RH40C-4D



Description

Motor technology: AC

Rated voltage U_N :

3- 230/400 V (Δ/Y) | 3-230/400 V (Δ/Y) | 3-265/460 V (Δ/Y) *

Rated frequency f_N : 50 Hz | 60 Hz | 60 Hz*

Input power P_i :

520 W | 780 W | 820 W*

Rated current I_N :

2.20/1.30 A | 2.40/1.40 A | 2.50/1.45 A*

Rated speed n_N :

1420 min^{-1} | 1630 min^{-1} | 1670 min^{-1} *

Starting current I_A : 11.00/6,50 A | 10,00/6,00 A | 12,00/7,00 A

Current increase ΔI : 0 % | 15 % | 15 %

Thermal class: THCL155*

Min. permitted ambient temperature $t_{R(\text{min})}$: -40 °C***

Max. permitted ambient temperature $t_{R(\text{max})}$:

60 °C | 60 °C | 60 °C

Electrical connection: Supply cable side, 105cm

Degree of protection : IP54

Motor protection: thermal contact

Impeller : aluminium, unpainted

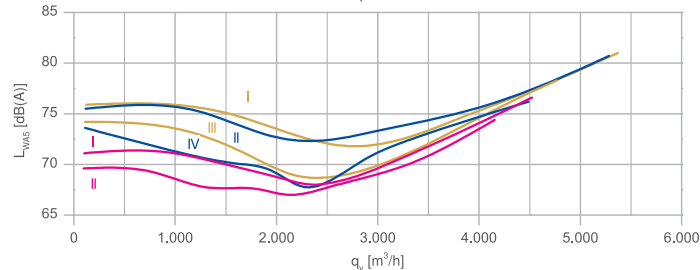
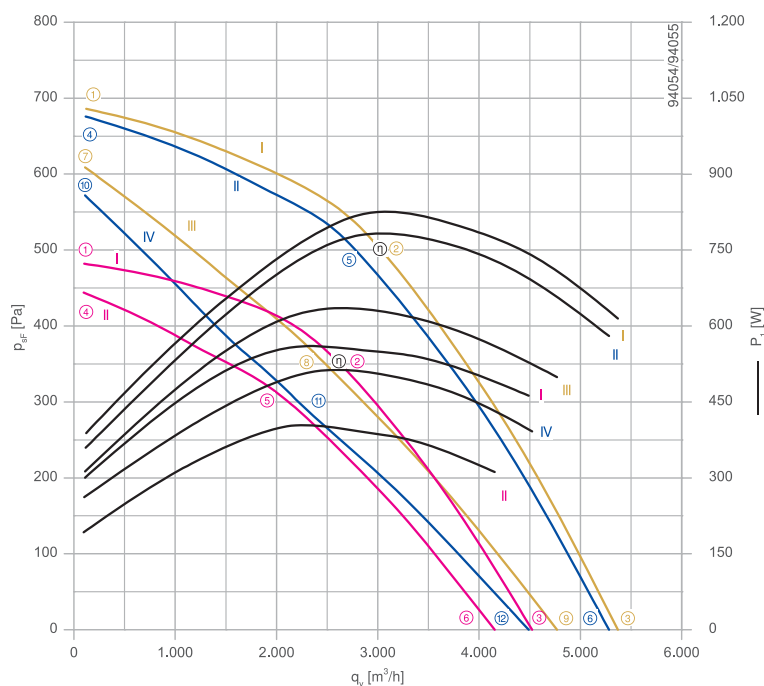
Motor: Aluminium, 1 coat paint, pebble grey

Conformity: CE

* Rated data

*** Continuous operation with occasional starts (S1) according to DIN EN 60034-1:2011-02. Occasional starting between -40 °C and -25 °C is permissible. Continuous operation below -25 °C only with special bearings for refrigeration applications on request.

Characteristic curve

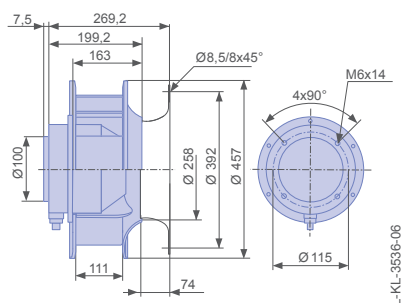


Measured with inlet ring, without guard grille according to ISO 5801

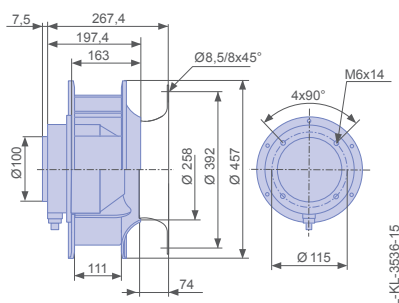
Inlet ring	00411855	RAL 7032	Page 302
		(pebble grey)	
Inlet ring	00411848	unpainted	
Connection diagram	1360-106XA		Page 327

Dimensions mm

Free-running motorized impeller RH in installation position H/Vu



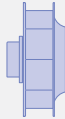

Free-running motorized impeller RH in installation position H/Vo



Type	Characteristic curve	Voltage	Frequency	Operating point	Current	Input power	Speed	Suction side sound power level L_{WA5} dB(A)
		U V	f Hz		I A	P_1 W	n min ⁻¹	
RH40C-4DK.4I.1R	I	400	50	①	1.10	260	1470	71
		400*		②	1.30*	520*	1420*	68
		400		③	1.20	390	1440	77
	II	230		④	0.68	190	1400	70
		230		⑤	1.20	400	1260	67
		230		⑥	0.96	310	1330	74
	I	460	60	①	1.05	390	1750	76
		460*		②	1.45*	820*	1670*	72
		460		③	1.25	620	1710	81
	II	400		④	0.90	360	1730	76
		400*		⑤	1.40*	780*	1630*	73
		400		⑥	1.15	580	1680	81
	III	265	⑦	0.84	310	1640	74	
		265	⑧	1.65	640	1390	69	
		265	⑨	1.30	500	1520	78	
	IV	230	⑩	0.90	300	1590	74	
		230	⑪	1.70	560	1270	68	
		230	⑫	1.35	460	1430	76	

*rated data

Fan ordering information

Design	RH*	RH*
Installation position	H/Vu	H/Vo
		
Type	RH40C-4DK.4I.1R	RH40C-4DK.4I.1R
Article no.	172178	175264
Weight kg	9.00	9.00
* inlet ring not included		