

C-series

for three phase alternating current, 2 pole

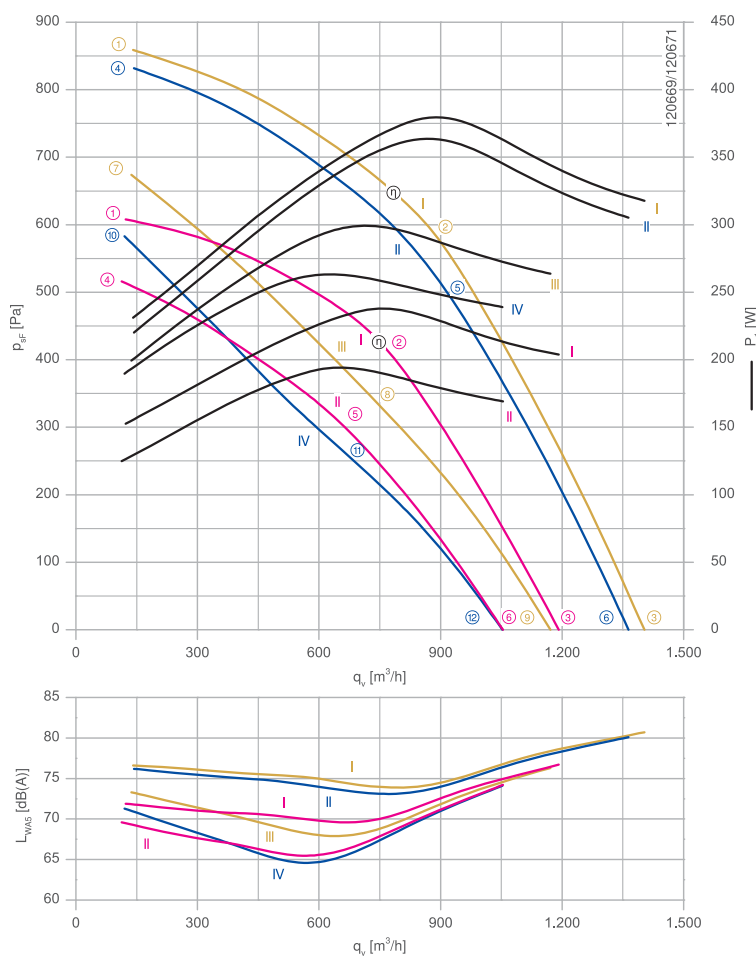
RH22C-2D



Description

Motor technology: AC
 Rated voltage U_N :
 3~ 230/400 V (Δ/Y) | 3~230/400 V (Δ/Y) | 3~265/460 V (Δ/Y) *
 Rated frequency f_N : 50 Hz | 60 Hz | 60 Hz*
 Input power P_i :
 240 W | 360 W | 380 W*
 Rated current I_N :
 0.80/0.46 A | 1.00/0.58 A | 0.96/0.56 A*
 Rated speed n_n :
 2820 min⁻¹ | 3210 min⁻¹ | 3310 min⁻¹*
 Starting current I_s : 4.00/2.20 A | 3.80/2.20 A | 4.40/2.60 A
 Current increase ΔI : 20 % | 25 % | 30 %
 Thermal class: THCL155*
 Min. permitted ambient temperature $t_{R(min)}$: -20 °C
 Max. permitted ambient temperature $t_{R(max)}$:
 70 °C | 65 °C | 65 °C
 Electrical connection: Supply cable side, 105cm
 Degree of protection : IP54Z
 Motor protection: thermal contact
 Impeller : bright sheet metal, powder-coated, ultramarine blue
 Motor: Aluminium, 1 coat paint, pebble grey
 Conformity: CE
 * Rated data

Characteristic curve

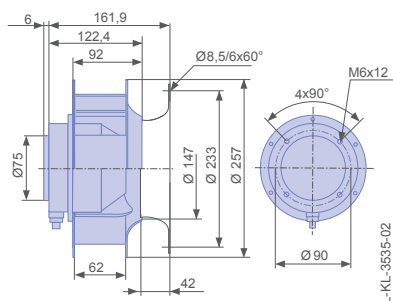


Measured with inlet ring, without guard grille according to ISO 5801

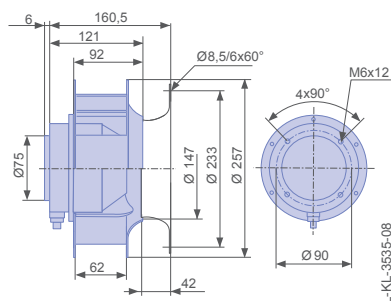
Inlet ring	00401776	RAL 7032 (pebble grey)	Page 302
Inlet ring	00400802	unpainted	
Connection diagram	1360-106XA		Page 327

Dimensions mm

Free-running motorized impeller RH
 in installation position H/Vu



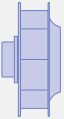
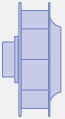
Free-running motorized impeller RH
 in installation position H/Vo



Type	Characteristic curve	Voltage	Frequency	Operating point	Current	Input power	Speed	Suction side sound power level L_{WA5} dB(A)
		U V	f Hz		I A	P_1 W	n min ⁻¹	
RH22C-2DK.1E.1R	I	400	50	①	0.39	150	2890	72
		400*		②	0.46*	240*	2820*	70
		400		③	0.42	200	2850	77
	II	230		④	0.34	120	2670	70
		230		⑤	0.52	190	2410	66
		230		⑥	0.46	170	2520	74
	I	460	60	①	0.40	230	3450	77
		460*		②	0.56*	380*	3310*	74
		460		③	0.48	320	3370	81
	II	400		④	0.38	220	3390	76
		400*		⑤	0.58*	360*	3210*	74
		400		⑥	0.50	310	3280	80
	III	265	⑦	0.46	200	3060	73	
		265	⑧	0.70	300	2620	69	
		265	⑨	0.62	260	2810	76	
	IV	230	⑩	0.50	190	2850	71	
		230	⑪	0.70	260	2320	65	
		230	⑫	0.64	240	2530	74	

*rated data

Fan ordering information

Design	RH*	RH*
Installation position	H/Vu	H/Vo
		
Type	RH22C-2DK.1E.1R	RH22C-2DK.1E.1R
Article no.	172164	175251
Weight kg	6.00	6.00
* inlet ring not included		