

Fiche produit Motralec Ziehl Abegg C Zamotpremium ER90C - fiche technique | Motralec

■ DEMANDE DE PRIX RAPIDE : <https://www.motralec.com/demandeContact>

Plug fan C - ZAmotpremium ER90C Centrifugal fans main catalogue with IEC standard motor
www.motralec.com / service-commercial@motralec.com / 01.39.97.65.10

Plug fan C

ER90C

Motor ZAmotpremium IE3



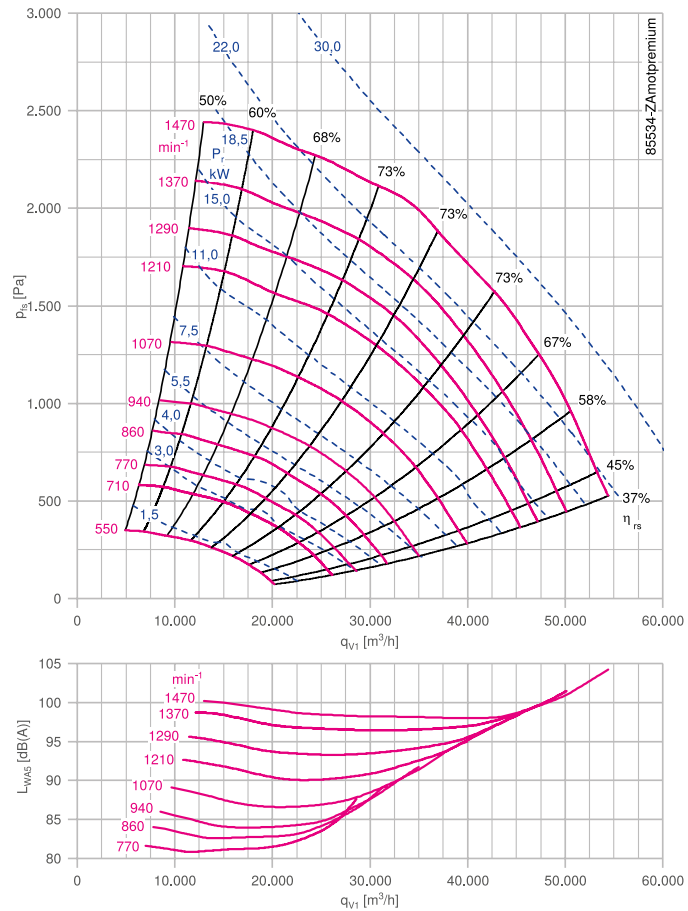
Description

Plug fan with high performance centrifugal impeller
 Impeller made of bright sheet metal powder-coated resistance class 1 (L-TI-0585) RAL 5002 (ultramarine blue)
 Inlet nozzle with measuring device for air flow measurement
 Fitting position H (horizontal)
 Rated voltage U_N : 3~ 400 V
 Rated frequency f_N : 50 Hz
 Motor protection: PTC resistor
 Degree of protection: IP55
 Thermal class: THCL155
 Min. permitted medium temperature $t_{R(min)}$: -20 °C
 Max. permitted medium temperature $t_{R(max)}$ at n_{max} : 40 °C
 Approvals: CE, UKCA
 Conformity: ErP 2015

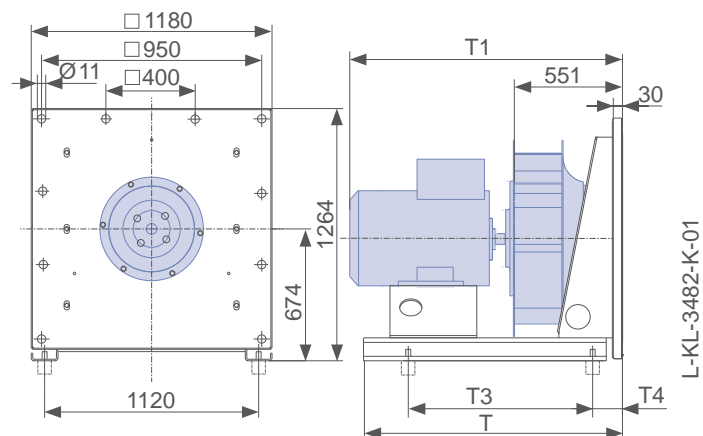
Nozzle coefficients

Standard k 789
 With guard grille k_g 756

Characteristic curve



Dimensions mm



C-ZAmotpremium IE3

Rated power P_N kW	Type	Article no.	Motor size	Motor efficiency η_{mot} %	Rated current I_N A	Rated speed n_N rpm	Maximum speed n_{max} rpm	Maximum frequency f_{max} Hz	Efficiency η_{statA} %	Efficiency grade N_{actual}^*
4.00	ER90C-8DN.I7.1R	130537/0141	160M/L	84.8	10.30	730	770	53	63.7	67.3
5.50	ER90C-8DN.I7.1R	130538/0141	160M/L	86.2	14.00	730	860	59	64.7	66.9
7.50	ER90C-6DN.I7.1R	130539/0141	160M/L	89.1	16.00	980	940	48	66.8	67.9
11.00	ER90C-6DN.K7.1R	130540/0141	160L	90.3	23.00	975	1070	55	67.8	67.7
15.00	ER90C-6DN.M7.1R	130541/0141	180L/M	91.2	29.50	975	1210	62	68.4	67.9
18.50	ER90C-6DN.N7.1R	130542/0141	200L	91.7	37.00	975	1290	66	68.8	68.1
22.00	ER90C-6DN.N7.1R	130543/0141	200L	92.2	43.00	978	1370	70	69.2	68.3
30.00	ER90C-4DN.N7.1R	130544/0141	200L	93.6	54.00	1470	1470	50	70.2	69.1

* ErP 2015 setpoint N=62 | expected setpoint for next ErP level N=64

P_N kW	Type	Weight kg	T mm	T1 mm	T3 mm	T4 mm	Flexible connector	Guard grille	Vibration damper		Frequency inverters 3~
									Spring	Rubber	
4.00	ER90C-8DN.I7.1R	259.00	1160	1080	840	115	00403351	00411648	02006450	02001674	308265
5.50	ER90C-8DN.I7.1R	273.00	1160	1080	893	115	00403351	00411648	02006450	02001674	308267
7.50	ER90C-6DN.I7.1R	280.00	1160	1080	893	115	00403351	00411648	02006450	02001674	308267
11.00	ER90C-6DN.K7.1R	302.00	1160	1140	945	115	00403351	00411648	02006451	02000407	308323
15.00	ER90C-6DN.M7.1R	371.00	1320	1144	1050	115	00403351	00411648	02006451	02000407	308325
18.50	ER90C-6DN.N7.1R	408.00	1320	1197	1050	115	00403351	00411648	02006451	02000407	308327
22.00	ER90C-6DN.N7.1R	423.00	1320	1222	893	115	00403351	00411648	02006451	02019767	308329
30.00	ER90C-4DN.N7.1R	433.00	1320	1222	1155	115	00403351	00411648	02006452	02019767	308331

Information

ZABluefin

Cpro

C

C-ATEX

Impellers with hub

System components

Control technology

General notes

ziehl-abegg.com



171

Fiche produit Motralec Ziehl Abegg C Zamotpremium ER90C - fiche technique | Motralec

■ **DEMANDE DE PRIX RAPIDE** : <https://www.motralec.com/demandeContact>

Besoin d'un prix ou d'un conseil technique ?

Fan C Ziehl Abegg C ZAMOTPREMIUM ER90C



4,7/5 . +600 avis Google

- Devis rapide et conseil technique par nos spécialistes
- Plus de 200 000 références et 30 marques distribuées
- Vente, réparation, bobinage et SAV en atelier
- Livraison partout en France, accompagnement avant et après-vente

Voir la gamme Ziehl Abegg sur notre site :

www.motralec.com/.../ziehl-abegg

DEMANDER UN PRIX >