

Fiche produit Motralec Ziehl Abegg C Zamotpremium ER80C - fiche technique | Motralec

■ DEMANDE DE PRIX RAPIDE : <https://www.motralec.com/demandeContact>

Plug fan C - ZAmotpremium ER80C Centrifugal fans main catalogue with IEC standard motor
www.motralec.com / service-commercial@motralec.com / 01.39.97.65.10

Plug fan C

ER80C

Motor ZAmotpremium IE3



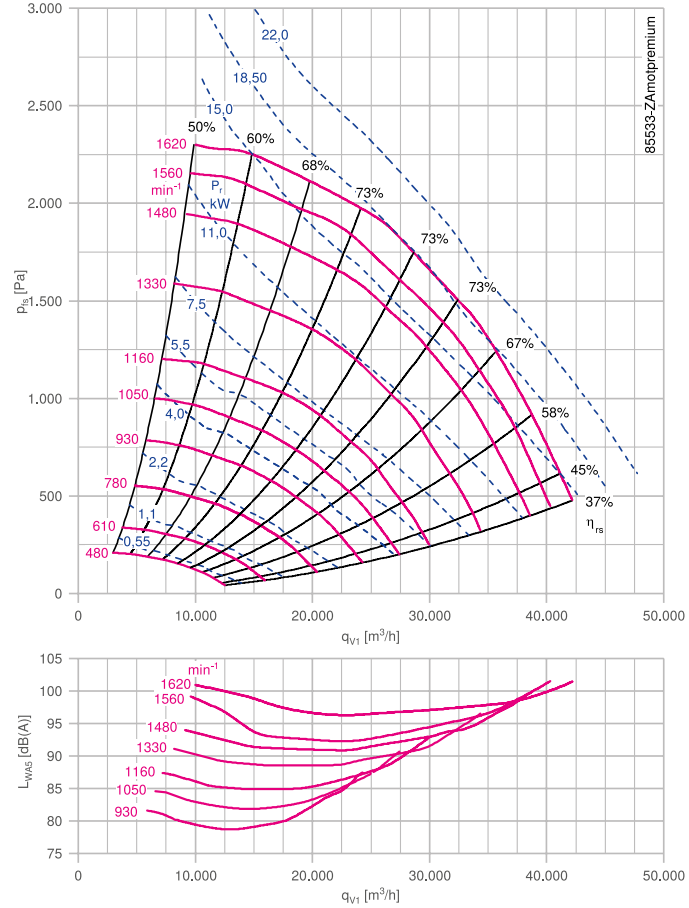
Description

Plug fan with high performance centrifugal impeller
 Impeller made of bright sheet metal powder-coated resistance class 1 (L-TI-0585) RAL 5002 (ultramarine blue)
 Inlet nozzle with measuring device for air flow measurement
 Fitting position H (horizontal)
 Rated voltage U_N : 3~400 V
 Rated frequency f_N : 50 Hz
 Motor protection: PTC resistor
 Degree of protection: IP55
 Thermal class: THCL155
 Min. permitted medium temperature $t_{R(min)}$: -20 °C
 Max. permitted medium temperature $t_{R(max)}$ at n_{max} : 40 °C
 Approvals: CE, UKCA
 Conformity: ErP 2015

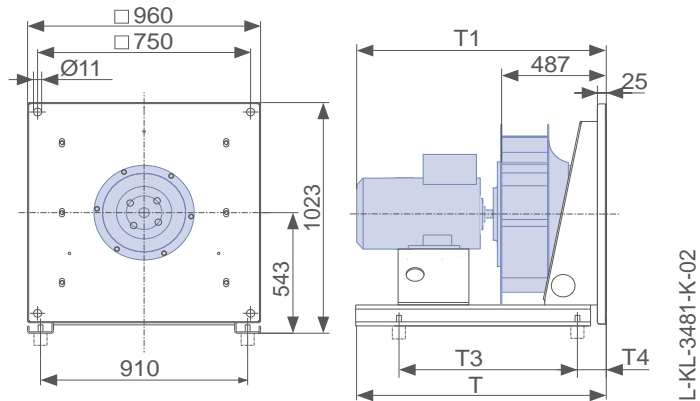
Nozzle coefficients

Standard k 620
 With guard grille k_g 594

Characteristic curve



Dimensions mm



C-ZAmotpremium IE3

Rated power P_N kW	Type	Article no.	Motor size	Motor efficiency η_{mot} %	Rated current I_N A	Rated speed n_N rpm	Maximum speed n_{max} rpm	Maximum frequency f_{max} Hz	Efficiency η_{statA} %	Efficiency grade N_{actual}^*
4.00	ER80C-6DN.H7.1R	130545/0141	132M/S	86.8	8.40	970	930	48	64.8	68.8
5.50	ER80C-6DN.H7.1R	130546/0141	132M	88.0	11.60	970	1050	54	65.6	68.0
7.50	ER80C-6DN.I7.1R	130547/0141	160M/L	89.1	16.00	980	1160	59	66.5	67.6
11.00	ER80C-6DN.K7.1R	130548/0141	160L	90.3	23.00	975	1330	68	67.4	67.3
15.00	ER80C-4DN.K7.1R	130549/0141	160L	92.1	28.50	1475	1480	50	68.7	68.3
18.50	ER80C-4DN.L7.1R	130550/0141	180M/L	92.6	35.50	1470	1560	53	69.1	68.5
22.00	ER80C-4DN.M7.1R	130551/0141	180L/M	93.0	41.00	1470	1620	55	69.4	68.7

* ErP 2015 setpoint N=62 | expected setpoint for next ErP level N=64

P_N kW	Type	Weight kg	T mm	T1 mm	T3 mm	T4 mm	Flexible connector	Guard grille	Vibration damper		Frequency inverters 3~
									Spring	Rubber	
4.00	ER80C-6DN.H7.1R	177.00	885	908	683	115	00403350	00414162	02006449	00090157	308236
5.50	ER80C-6DN.H7.1R	177.00	885	958	683	115	00403350	00414162	02006450	00090157	308265
7.50	ER80C-6DN.I7.1R	223.00	1045	1017	840	115	00403350	00414162	02006450	00090157	308267
11.00	ER80C-6DN.K7.1R	244.00	1045	1077	893	115	00403350	00414162	02006450	00090157	308323
15.00	ER80C-4DN.K7.1R	229.00	1045	1077	893	115	00403350	00414162	02006450	02000407	308325
18.50	ER80C-4DN.L7.1R	295.00	1045	1081	893	115	00403350	00414162	02006450	02000407	308327
22.00	ER80C-4DN.M7.1R	300.00	1045	1111	893	115	00403350	00414162	02006450	02000407	308329

Information

ZABluefin

Cpro

C

C-ATEX

Impellers with hub

System components

Control technology

General notes

ziehl-abegg.com



169

Fiche produit Motralec Ziehl Abegg C Zamotpremium ER80C - fiche technique | Motralec

■ **DEMANDE DE PRIX RAPIDE** : <https://www.motralec.com/demandeContact>

Besoin d'un prix ou d'un conseil technique ?

Fan C Ziehl Abegg C ZAMOTPREMIUM ER80C



4,7/5 . +600 avis Google

- Devis rapide et conseil technique par nos spécialistes
- Plus de 200 000 références et 30 marques distribuées
- Vente, réparation, bobinage et SAV en atelier
- Livraison partout en France, accompagnement avant et après-vente

Voir la gamme Ziehl Abegg sur notre site :

www.motralec.com/.../ziehl-abegg

DEMANDER UN PRIX >