

★★★★★ 4,7/5 sur +600 avis Google . Depuis 1976 . 3 agences : Herblay (95), Sèvres (92), Étréchy (91) . www.motralec.com

Fiche produit Motralec Ziehl Abegg C Zamotpremium ER71C - fiche technique | Motralec

■ DEMANDE DE PRIX RAPIDE : <https://www.motralec.com/demandeContact>

www.motralec.com / service-commercial@motralec.com / 01.39.97.65.10

Plug fan C
ER71C

Motor ZAmotpremium IE3



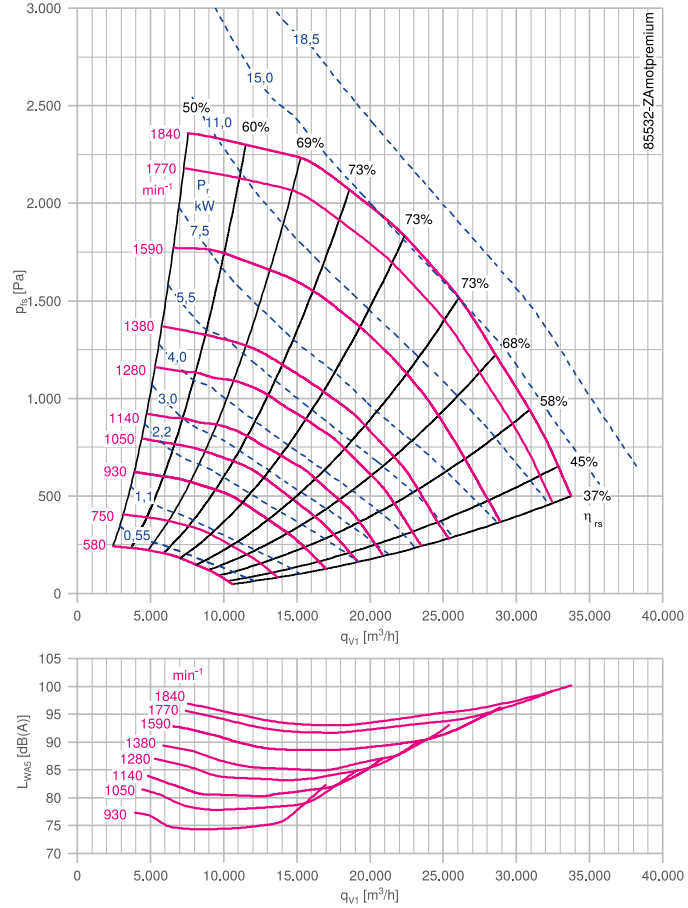
Description

Plug fan with high performance centrifugal impeller
 Impeller made of bright sheet metal powder-coated resistance class 1 (L-TI-0585) RAL 5002 (ultramarine blue)
 Inlet nozzle with measuring device for air flow measurement
 Fitting position H (horizontal)
 Rated voltage U_N : 3~400 V
 Rated frequency f_N : 50 Hz
 Motor protection: PTC resistor
 Degree of protection: IP55
 Thermal class: THCL155
 Min. permitted medium temperature $t_{R(min)}$: -20 °C
 Max. permitted medium temperature $t_{R(max)}$ at n_{max} : 40 °C
 Approvals: CE, UKCA
 Conformity: ErP 2015

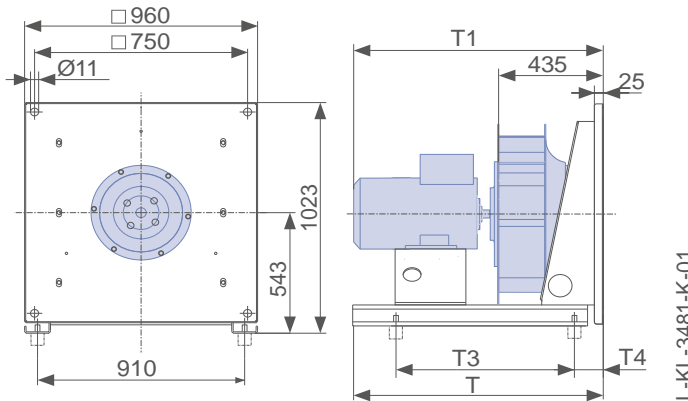
Nozzle coefficients

Standard k 490
 With guard grille k_g 470

Characteristic curve



Dimensions mm



C-ZAmotpremium IE3

Rated power P_N kW	Type	Article no.	Motor size	Motor efficiency η_{mot} %	Rated current I_N A	Rated speed n_N rpm	Maximum speed n_{max} rpm	Maximum frequency f_{max} Hz	Efficiency η_{statA} %	Efficiency grade N_{actual}^*
2.20	ER71C-6DN.F7.1R	163664/0141	112M	84.3	4.75	970	930	48	62.7	69.2
3.00	ER71C-6DN.G7.1R	163665/0141	132S	85.6	6.60	975	1050	54	63.7	68.6
4.00	ER71C-6DN.H7.1R	130554/0141	132M/S	86.8	8.40	970	1140	59	64.6	68.4
5.50	ER71C-6DN.H7.1R	130555/0141	132M	88.0	11.60	970	1280	66	65.4	67.7
7.50	ER71C-4DN.H7.1R	130556/0141	132M	90.4	14.30	1470	1380	47	67.3	68.7
11.00	ER71C-4DN.I7.1R	130557/0141	160M/L	91.4	20.50	1475	1590	54	68.0	67.9
15.00	ER71C-4DN.K7.1R	130558/0141	160L	92.1	28.50	1475	1770	60	68.5	68.1
18.50	ER71C-4DN.L7.1R	130559/0141	180M/L	92.6	35.50	1470	1840	63	68.9	68.4

* ErP 2015 setpoint N=62 | expected setpoint for next ErP level N=64

P_N kW	Type	Weight kg	T mm	T1 mm	T3 mm	T4 mm	Flexible connector	Guard grille	Vibration damper		Frequency inverters 3~
									Spring	Rubber	
2.20	ER71C-6DN.F7.1R	124.00	885	825	683	115	00403350	00411646	02006449	00090157	308232
3.00	ER71C-6DN.G7.1R	139.00	885	856	630	115	00403350	00411646	02006449	00090157	308234
4.00	ER71C-6DN.H7.1R	149.00	885	856	630	115	00403350	00411646	02006449	00090157	308236
5.50	ER71C-6DN.H7.1R	149.00	885	906	630	115	00403350	00411646	02006450	00090157	308265
7.50	ER71C-4DN.H7.1R	161.00	885	906	683	115	00403350	00411646	02006450	00090157	308267
11.00	ER71C-4DN.I7.1R	184.00	1045	965	788	115	00403350	00411646	02006450	00090157	308323
15.00	ER71C-4DN.K7.1R	201.00	1045	1025	840	115	00403350	00411646	02006450	02000407	308325
18.50	ER71C-4DN.L7.1R	268.00	1045	1029	893	115	00403350	00411646	02006450	02000407	308327

Information

ZABluefin

Cpro

C

C-ATEX

Impellers with hub

System components

Control technology

General notes

ziehl-abegg.com



167

Fiche produit Motralec Ziehl Abegg C Zamotpremium ER71C - fiche technique | Motralec

■ **DEMANDE DE PRIX RAPIDE** : <https://www.motralec.com/demandeContact>

Besoin d'un prix ou d'un conseil technique ?

Fan C Ziehl Abegg C ZAMOTPREMIUM ER71C



4,7/5 . +600 avis Google

- Devis rapide et conseil technique par nos spécialistes
- Plus de 200 000 références et 30 marques distribuées
- Vente, réparation, bobinage et SAV en atelier
- Livraison partout en France, accompagnement avant et après-vente

Voir la gamme Ziehl Abegg sur notre site :

www.motralec.com/.../ziehl-abegg

DEMANDER UN PRIX >