

Fiche produit Motralec Ziehl Abegg C Zamotpremium ER63C - fiche technique | Motralec

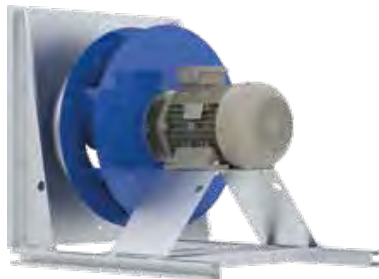
■ DEMANDE DE PRIX RAPIDE : <https://www.motralec.com/demandeContact>

Plug fan C - ZAmotpremium www.motralec.com / service-commercial@motralec.com / 01.39.97.65.10

Plug fan C

ER63C

Motor ZAmotpremium IE3



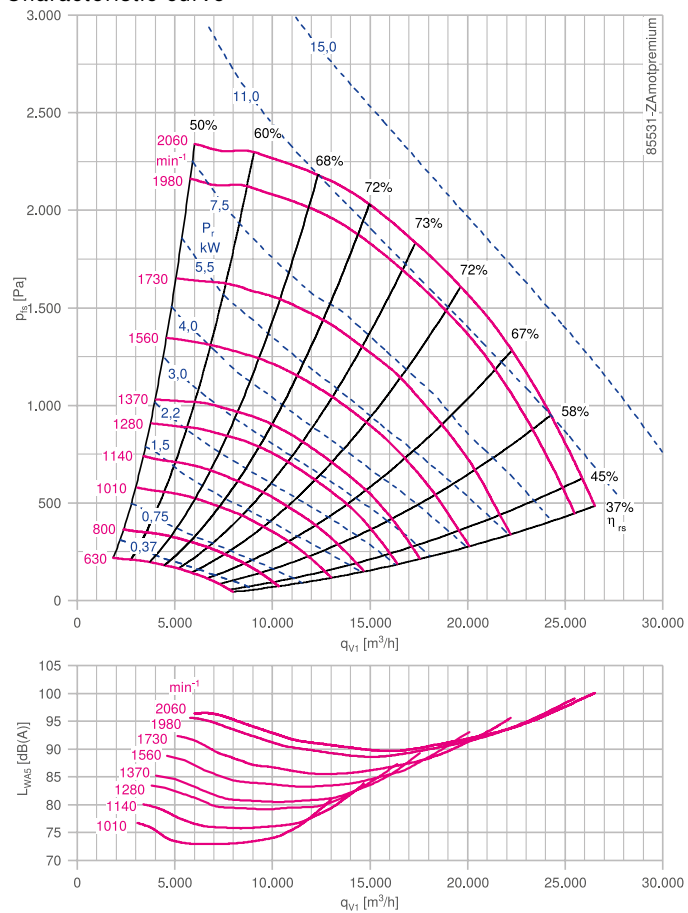
Description

Plug fan with high performance centrifugal impeller
 Impeller made of bright sheet metal powder-coated resistance class 1 (L-TI-0585) RAL 5002 (ultramarine blue)
 Inlet nozzle with measuring device for air flow measurement
 Fitting position H (horizontal)
 Rated voltage U_N : 3~ 400 V
 Rated frequency f_N : 50 Hz
 Motor protection: PTC resistor
 Degree of protection: IP55
 Thermal class: THCL155
 Min. permitted medium temperature $t_{R(min)}$: -20 °C
 Max. permitted medium temperature $t_{R(max)}$ at n_{max} : 40 °C
 Approvals: CE, UKCA
 Conformity: ErP 2015

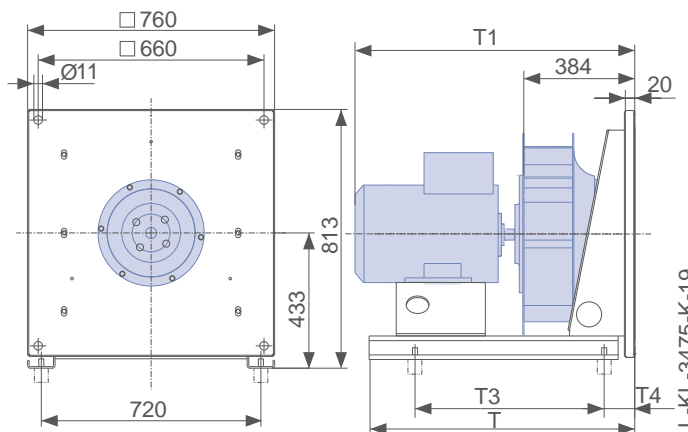
Nozzle coefficients

Standard k	381
With guard grille k_g	365
With inlet guide grille k_{zAflow}	373

Characteristic curve



Dimensions mm



C-ZAmotpremium IE3

Rated power P_N kW	Type	Article no.	Motor size	Motor efficiency η_{mot} %	Rated current I_N A	Rated speed n_N rpm	Maximum speed n_{max} rpm	Maximum frequency f_{max} Hz	Efficiency η_{statA} %	Efficiency grade N_{actual}^*
1.50	ER63C-6DN.E7.1R	130560/0141	100L	82.5	3.05	970	1010	52	61.4	69.3
2.20	ER63C-6DN.F7.1R	130561/0141	112M	84.3	4.75	970	1140	59	62.8	69.2
3.00	ER63C-6DN.G7.1R	130562/0141	132S	85.6	6.60	975	1280	66	63.8	68.6
4.00	ER63C-4DN.F7.1R	130563/0141	112M	88.6	7.90	1460	1370	47	65.9	70.0
5.50	ER63C-4DN.G7.1R	130564/0141	132S	89.6	10.50	1470	1560	53	66.7	69.0
7.50	ER63C-4DN.H7.1R	130565/0141	132M	90.4	14.30	1470	1730	59	67.3	68.3
11.00	ER63C-4DN.I7.1R	163662/0141	160M/L	91.4	20.50	1475	1980	67	68.1	68.0
15.00	ER63C-4DN.K7.1R	163663/0141	160L	92.1	28.50	1475	2060	70	68.6	68.3

* ErP 2015 setpoint N=62 | expected setpoint for next ErP level N=64

P_N kW	Type	Weight kg	T mm	T1 mm	T3 mm	T4 mm	Flexible connector	Guard grille	Vibration damper		Frequency inverters 3~	Inlet guide grille ZAflow
									Spring	Rubber		
1.50	ER63C-6DN.E7.1R	95.00	720	790	473	115	00405986	00411645	02021198	00090144	308230	00415086
2.20	ER63C-6DN.F7.1R	94.00	720	774	473	115	00405986	00411645	02021198	00090144	308232	00415086
3.00	ER63C-6DN.G7.1R	109.00	880	805	578	115	00405986	00411645	02021199	02000124	308234	00415086
4.00	ER63C-4DN.F7.1R	99.00	720	774	525	115	00405986	00411645	02021199	02000124	308236	00415086
5.50	ER63C-4DN.G7.1R	131.00	880	855	630	115	00405986	00411645	02021199	02000124	308265	00415086
7.50	ER63C-4DN.H7.1R	131.00	880	855	683	115	00405986	00411645	02021199	02020907	308267	00415086
11.00	ER63C-4DN.I7.1R	156.00	880	914	735	115	00405986	00411645	02018876	00407339	308323	00415086
15.00	ER63C-4DN.K7.1R	173.00	880	974	735	115	00405986	00411645	02018876	02020907	308325	00415086

Information

ZABluefin

Cpro

C

C-ATEX

Impellers with hub

System components

Control technology

General notes

ziehl-abegg.com



165

Fiche produit Motralec Ziehl Abegg C Zamotpremium ER63C - fiche technique | Motralec

■ **DEMANDE DE PRIX RAPIDE** : <https://www.motralec.com/demandeContact>

Besoin d'un prix ou d'un conseil technique ?

Fan C Ziehl Abegg C ZAMOTPREMIUM ER63C



4,7/5 . +600 avis Google

- Devis rapide et conseil technique par nos spécialistes
- Plus de 200 000 références et 30 marques distribuées
- Vente, réparation, bobinage et SAV en atelier
- Livraison partout en France, accompagnement avant et après-vente

Voir la gamme Ziehl Abegg sur notre site :

www.motralec.com/.../ziehl-abegg

DEMANDER UN PRIX >