

Fiche produit Motralec Ziehl Abegg C Zamotpremium ER56C - fiche technique | Motralec

■ DEMANDE DE PRIX RAPIDE : <https://www.motralec.com/demandeContact>

www.motralec.com / service-commercial@motralec.com / 01.39.97.65.10

Plug fan C
ER56C

Motor ZAmotpremium IE3



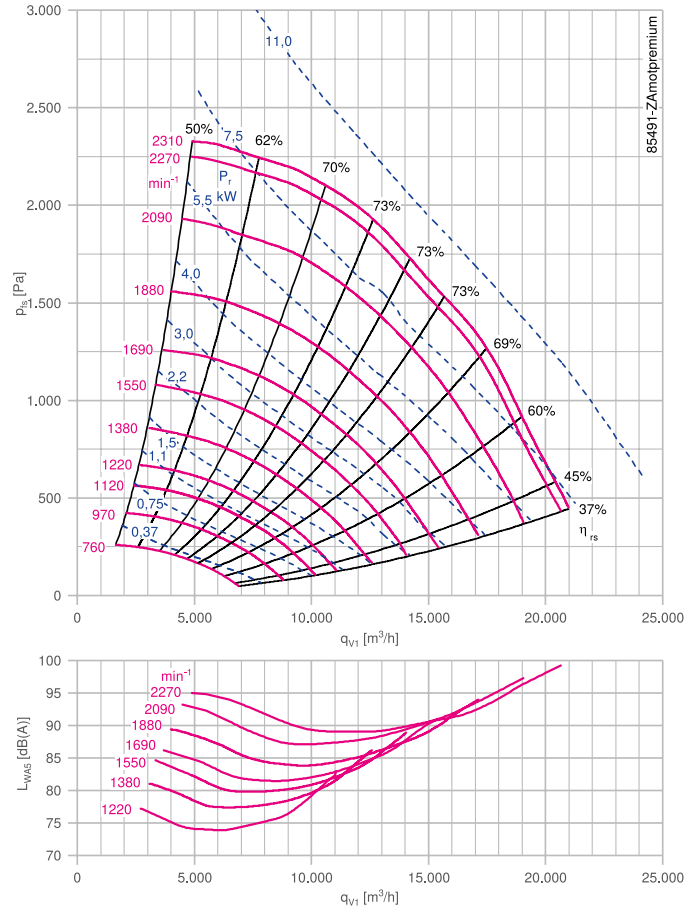
Description

Plug fan with high performance centrifugal impeller
Impeller made of bright sheet metal powder-coated resistance class 1 (L-TI-0585) RAL 5002 (ultramarine blue)
Inlet nozzle with measuring device for air flow measurement
Fitting position H (horizontal)
Rated voltage U_N : 3~ 400 V
Rated frequency f_N : 50 Hz
Motor protection: PTC resistor
Degree of protection: IP55
Thermal class: THCL155
Min. permitted medium temperature $t_{R(min)}$: -20 °C
Max. permitted medium temperature $t_{R(max)}$ at n_{max} : 40 °C
Approvals: CE, UKCA
Conformity: ErP 2015

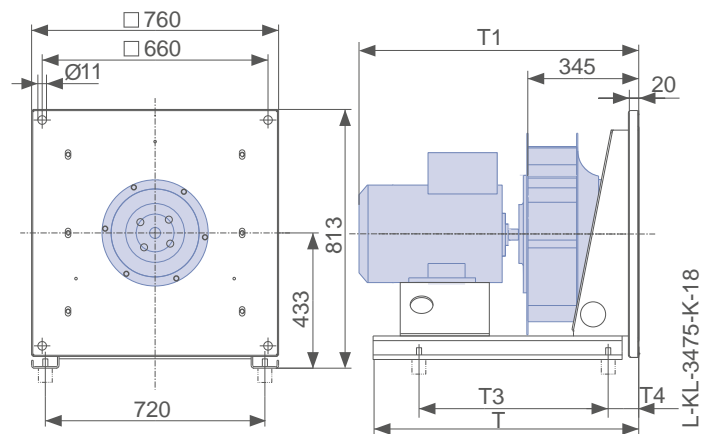
Nozzle coefficients

Standard k	308
With guard grille k_g	295
With inlet guide grille k_{zAflow}	302

Characteristic curve



Dimensions mm



C-ZAmotpremium IE3

Rated power P_N kW	Type	Article no.	Motor size	Motor efficiency η_{mot} %	Rated current I_N A	Rated speed n_N rpm	Maximum speed n_{max} rpm	Maximum frequency f_{max} Hz	Efficiency η_{statA} %	Efficiency grade N_{actual}^*
1.50	ER56C-6DN.E7.1R	130568/0141	100L	82.5	3.05	970	1220	63	61.6	69.7
2.20	ER56C-4DN.E7.1R	130569/0141	100L	86.7	4.40	1465	1380	47	64.8	71.4
3.00	ER56C-4DN.E7.1R	130570/0141	100L	87.7	5.90	1460	1,550	53	65.6	70.7
4.00	ER56C-4DN.F7.1R	130571/0141	112M	88.6	7.90	1460	1690	58	66.2	70.1
5.50	ER56C-4DN.G7.1R	130572/0141	132S	89.6	10.50	1470	1880	64	67.0	69.5
7.50	ER56C-4DN.H7.1R	163660/0141	132M	90.4	14.30	1470	2090	71	67.6	68.7
11.00	ER56C-4DN.I7.1R	163661/0141	160M/L	91.4	20.50	1475	2270	77	68.3	68.3

* ErP 2015 setpoint N=62 | expected setpoint for next ErP level N=64

P_N kW	Type	Weight kg	T mm	T1 mm	T3 mm	T4 mm	Flexible connector	Guard grille	Vibration damper		Frequency inverters 3~	Inlet guide grille ZAflow
									Spring	Rubber		
1.50	ER56C-6DN.E7.1R	80.00	720	751	473	115	00405986	00411644	02021198	00090144	308230	00415085
2.20	ER56C-4DN.E7.1R	80.00	720	716	473	115	00405986	00411644	02021198	00090144	308232	00415085
3.00	ER56C-4DN.E7.1R	80.00	720	751	473	115	00405986	00411644	02021199	02000124	308234	00415085
4.00	ER56C-4DN.F7.1R	84.00	720	734	525	115	00405986	00411644	02021199	02000124	308236	00415085
5.50	ER56C-4DN.G7.1R	117.00	880	815	630	115	00405986	00411644	02021199	02000124	308265	00415085
7.50	ER56C-4DN.H7.1R	117.00	880	815	683	115	00405986	00411644	02021199	00407339	308267	00415085
11.00	ER56C-4DN.I7.1R	142.00	880	874	735	115	00405986	00411644	02018876	00407339	308323	00415085

ziehl-abegg.com



163

Fiche produit Motralec Ziehl Abegg C Zamotpremium ER56C - fiche technique | Motralec

■ **DEMANDE DE PRIX RAPIDE** : <https://www.motralec.com/demandeContact>

Information

ZABluefin

Cpro

C

C-ATEX

Impellers with hub

System components

Control technology

General notes

Besoin d'un prix ou d'un conseil technique ?

Fan C Ziehl Abegg C ZAMOTPREMIUM ER56C



4,7/5 . +600 avis Google

- Devis rapide et conseil technique par nos spécialistes
- Plus de 200 000 références et 30 marques distribuées
- Vente, réparation, bobinage et SAV en atelier
- Livraison partout en France, accompagnement avant et après-vente

Voir la gamme Ziehl Abegg sur notre site :

www.motralec.com/.../ziehl-abegg

DEMANDER UN PRIX >