

Fiche produit Motralec Ziehl Abegg C Zamotpremium ER50C - fiche technique | Motralec

■ DEMANDE DE PRIX RAPIDE : <https://www.motralec.com/demandeContact>

www.motralec.com / service-commercial@motralec.com / 01.39.97.65.10

Plug fan C - ZAmotpremium ER50C

Centrifugal fans main catalogue with IEC standard motor

# Plug fan C

## ER50C

Motor ZAmotpremium IE3



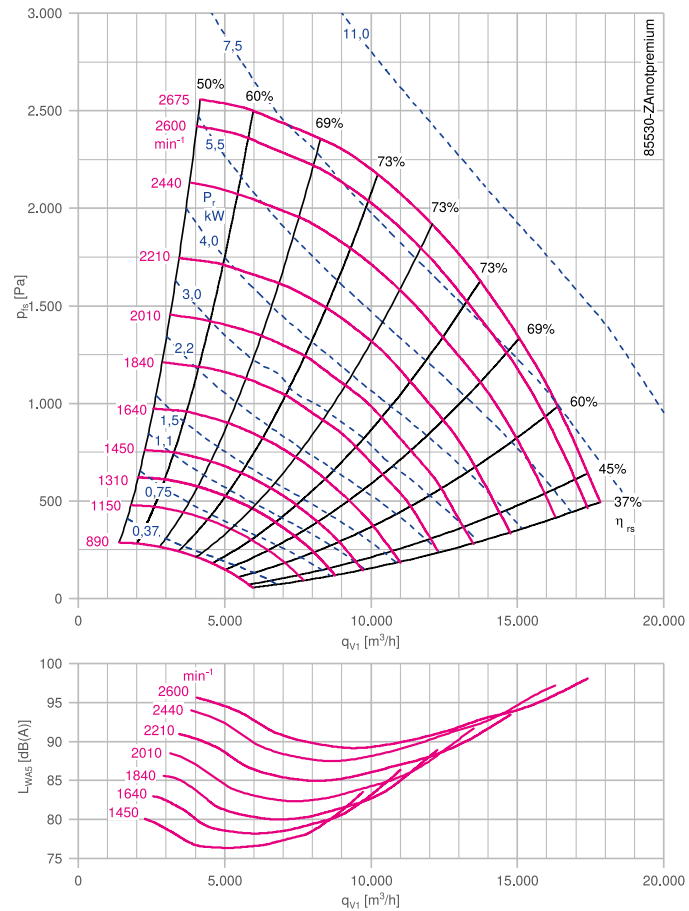
### Description

Plug fan with high performance centrifugal impeller  
 Impeller made of bright sheet metal powder-coated resistance class 1 (L-TI-0585) RAL 5002 (ultramarine blue)  
 Inlet nozzle with measuring device for air flow measurement  
 Fitting position H (horizontal)  
 Rated voltage  $U_N$ : 3~ 400 V  
 Rated frequency  $f_N$ : 50 Hz  
 Motor protection: PTC resistor  
 Degree of protection: IP55  
 Thermal class: THCL155  
 Min. permitted medium temperature  $t_{R(min)}$ : -20 °C  
 Max. permitted medium temperature  $t_{R(max)}$  at  $n_{max}$ : 40 °C  
 Approvals: CE, UKCA  
 Conformity: ErP 2015

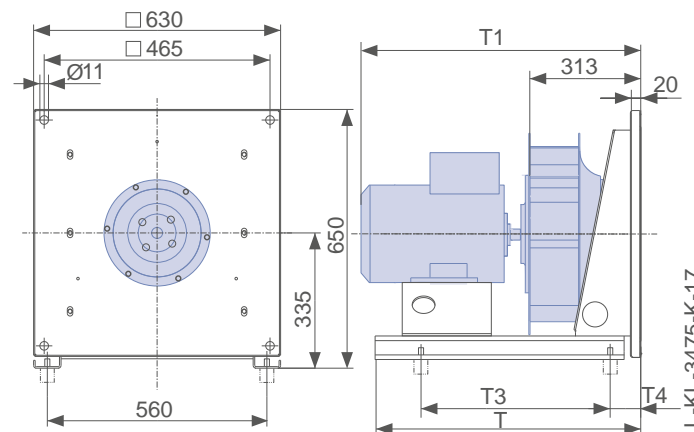
### Nozzle coefficients

Standard  $k$  252  
 With guard grille  $k_g$  242  
 With inlet guide grille  $k_{zAllow}$  247

Characteristic curve



Dimensions mm



## C-ZAmotpremium IE3

Rated power $P_N$ kW	Type	Article no.	Motor size	Motor efficiency $\eta_{mot}$ %	Rated current $I_N$ A	Rated speed $n_N$ rpm	Maximum speed $n_{max}$ rpm	Maximum frequency $f_{max}$ Hz	Efficiency $\eta_{statA}$ %	Efficiency grade $N_{actual}^*$
1.50	<a href="#">ER50C-4DN.D7.1R</a>	<a href="#">130575/0141</a>	090L/S	85.3	3.20	1445	1450	50	64.0	72.2
2.20	<a href="#">ER50C-4DN.E7.1R</a>	<a href="#">130576/0141</a>	100L	86.7	4.40	1465	1640	56	65.0	71.5
3.00	<a href="#">ER50C-4DN.E7.1R</a>	<a href="#">130577/0141</a>	100L	87.7	5.90	1460	1840	63	65.8	70.8
4.00	<a href="#">ER50C-4DN.F7.1R</a>	<a href="#">130578/0141</a>	112M	88.6	7.90	1460	2010	69	66.5	70.4
5.50	<a href="#">ER50C-4DN.G7.1R</a>	<a href="#">130579/0141</a>	132S	89.6	10.50	1470	2210	75	67.2	69.8
7.50	<a href="#">ER50C-4DN.H7.1R</a>	<a href="#">130580/0141</a>	132M	90.4	14.30	1470	2440	83	67.8	69.1
11.00	<a href="#">ER50C-4DN.I7.1R</a>	<a href="#">130581/0141</a>	160M/L	91.4	20.50	1475	2600	88	67.2	67.6

\* ErP 2015 setpoint N=62 | expected setpoint for next ErP level N=64

$P_N$ kW	Type	Weight kg	T mm	T1 mm	T3 mm	T4 mm	Flexible connector	Guard grille	Vibration damper		Frequency inverters 3~	Inlet guide grille ZAflow
									Spring	Rubber		
1.50	<a href="#">ER50C-4DN.D7.1R</a>	57.00	728	670	420	115	00406515	00411575	02021197	00090144	308230	00415085
2.20	<a href="#">ER50C-4DN.E7.1R</a>	69.00	728	684	473	115	00406515	00411575	02021197	00090144	308232	00415085
3.00	<a href="#">ER50C-4DN.E7.1R</a>	69.00	728	719	420	115	00406515	00411575	02021197	00090144	308234	00415085
4.00	<a href="#">ER50C-4DN.F7.1R</a>	73.00	728	702	473	115	00406515	00411575	02021198	02000124	308236	00415085
5.50	<a href="#">ER50C-4DN.G7.1R</a>	103.00	728	783	578	115	00406515	00411575	02021198	02000124	308265	00415085
7.50	<a href="#">ER50C-4DN.H7.1R</a>	103.00	728	783	578	115	00406515	00411575	02021198	02000124	308267	00415085
11.00	<a href="#">ER50C-4DN.I7.1R</a>	128.00	888	842	735	115	00406515	00411575	02021199	02000124	308323	00415085

Information

ZABluefin

Cpro

C

C-ATEX

Impellers with hub

System components

Control technology

General notes

ziehl-abegg.com



161

Fiche produit Motralec Ziehl Abegg C Zamotpremium ER50C - fiche technique | Motralec

■ **DEMANDE DE PRIX RAPIDE** : <https://www.motralec.com/demandeContact>

## Besoin d'un prix ou d'un conseil technique ?

Fan C Ziehl Abegg C ZAMOTPREMIUM ER50C



4,7/5 . +600 avis Google

- Devis rapide et conseil technique par nos spécialistes
- Plus de 200 000 références et 30 marques distribuées
- Vente, réparation, bobinage et SAV en atelier
- Livraison partout en France, accompagnement avant et après-vente

Voir la gamme Ziehl Abegg sur notre site :

[www.motralec.com/.../ziehl-abegg](http://www.motralec.com/.../ziehl-abegg)

**DEMANDER UN PRIX >**