

Fiche produit Motralec Ziehl Abegg C Zamotpremium ER40C - fiche technique | Motralec

■ DEMANDE DE PRIX RAPIDE : <https://www.motralec.com/demandeContact>

www.motralec.com / service-commercial@motralec.com / 01.39.97.65.10

Plug fan C
ER40C

Motor ZAmotpremium IE3



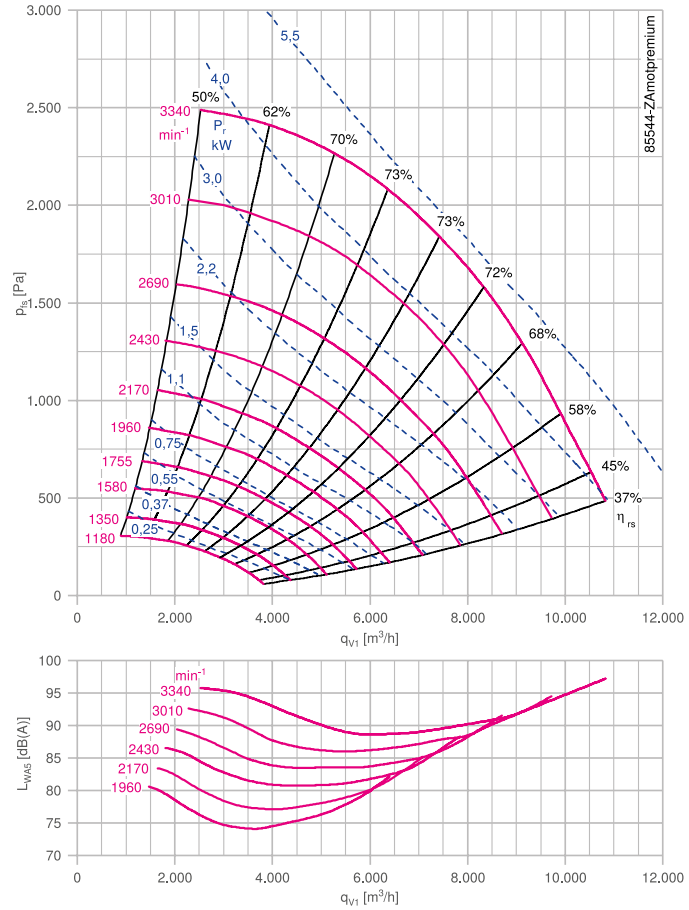
Description

Plug fan with high performance centrifugal impeller
Impeller made of bright sheet metal powder-coated resistance class 1 (L-TI-0585) RAL 5002 (ultramarine blue)
Inlet nozzle with measuring device for air flow measurement
Fitting position H (horizontal)
Rated voltage U_N : 3~ 400 V
Rated frequency f_N : 50 Hz
Motor protection: PTC resistor
Degree of protection: IP55
Thermal class: THCL155
Min. permitted medium temperature $t_{R(min)}$: -20 °C
Max. permitted medium temperature $t_{R(max)}$ at n_{max} : 40 °C
Approvals: CE, UKCA
Conformity: ErP 2015

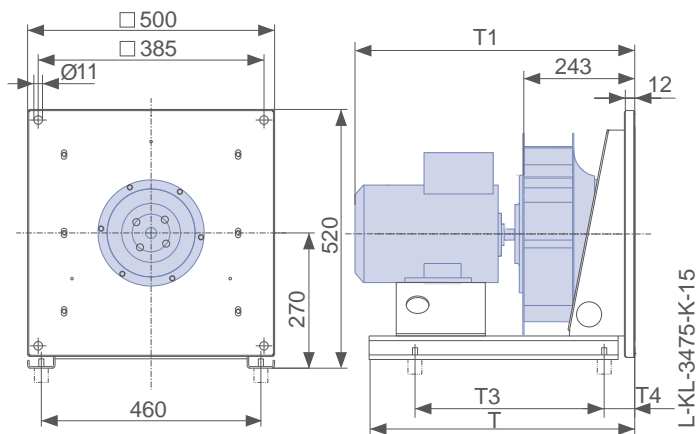
Nozzle coefficients

Standard k	154
With guard grille k_g	148
With inlet guide grille k_{ZAllow}	151

Characteristic curve



Dimensions mm



C-ZAmotpremium IE3

Rated power P_N kW	Type	Article no.	Motor size	Motor efficiency η_{mot} %	Rated current I_N A	Rated speed n_N rpm	Maximum speed n_{max} rpm	Maximum frequency f_{max} Hz	Efficiency η_{statA} %	Efficiency grade N_{actual}^*
1.10	ER40C-4DN.C7.1R	130589/0141	090S/L	84.1	2.40	1440	1960	68	63.0	72.5
1.50	ER40C-4DN.D7.1R	130590/0141	090L/S	85.3	3.20	1445	2170	75	63.9	72.0
2.20	ER40C-4DN.E7.1R	130591/0141	100L	86.7	4.40	1465	2430	83	64.9	71.6
3.00	ER40C-4DN.E7.1R	130592/0141	100L	87.7	5.90	1460	2690	92	65.7	71.0
4.00	ER40C-2DN.F7.1R	130593/0141	112M	88.1	7.30	2945	3010	51	65.9	69.7
5.50	ER40C-2DN.G7.1R	130594/0141	132S/M	89.2	9.90	2950	3340	57	66.8	69.2

* ErP 2015 setpoint N=62 | expected setpoint for next ErP level N=64

P_N kW	Type	Weight kg	T mm	T1 mm	T3 mm	T4 mm	Flexible connector	Guard grille	Vibration damper		Frequency inverters 3~	Inlet guide grille ZAflow
									Spring	Rubber		
1.10	ER40C-4DN.C7.1R	38.00	570	570	315	115	00406514	00411573	02021196	00090144	308228	00415084
1.50	ER40C-4DN.D7.1R	41.00	570	595	315	115	00406514	00411573	02021197	00090144	308230	00415084
2.20	ER40C-4DN.E7.1R	53.00	570	609	420	115	00406514	00411573	02021197	00090144	308232	00415084
3.00	ER40C-4DN.E7.1R	53.00	570	644	420	115	00406514	00411573	02021197	00090144	308234	00415084
4.00	ER40C-2DN.F7.1R	58.00	720	627	420	115	00406514	00411573	02021197	00090144	308236	00415084
5.50	ER40C-2DN.G7.1R	69.00	720	663	473	115	00406514	00411573	02021198	00090144	308265	00415084

Information

ZABluefin

Cpro

C

C-ATEX

Impellers with hub

System components

Control technology

General notes

ziehl-abegg.com



157

Fiche produit Motralec Ziehl Abegg C Zamotpremium ER40C - fiche technique | Motralec

■ **DEMANDE DE PRIX RAPIDE** : <https://www.motralec.com/demandeContact>

Besoin d'un prix ou d'un conseil technique ?

Fan C Ziehl Abegg C ZAMOTPREMIUM ER40C



4,7/5 . +600 avis Google

- Devis rapide et conseil technique par nos spécialistes
- Plus de 200 000 références et 30 marques distribuées
- Vente, réparation, bobinage et SAV en atelier
- Livraison partout en France, accompagnement avant et après-vente

Voir la gamme Ziehl Abegg sur notre site :

www.motralec.com/.../ziehl-abegg

DEMANDER UN PRIX >