

Fiche produit Motralec Ziehl Abegg C Zamotpremium ER35C - fiche technique | Motralec

■ DEMANDE DE PRIX RAPIDE : <https://www.motralec.com/demandeContact>

Plug fan C - ZAmotpremium www.motralec.com / service-commercial@motralec.com / 01.39.97.65.10

Plug fan C

ER35C

Motor ZAmotpremium IE3



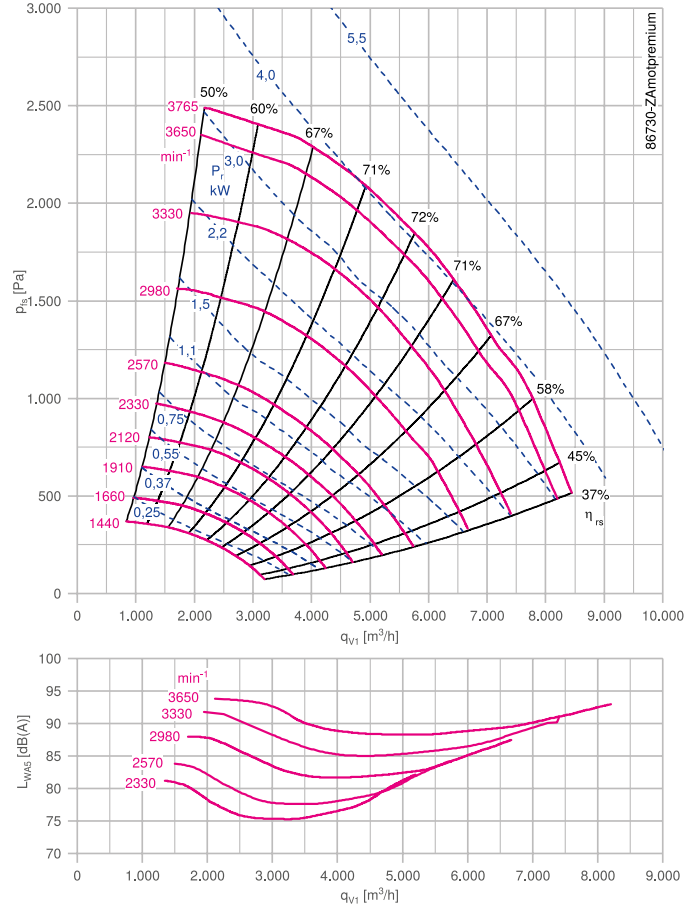
Description

Plug fan with high performance centrifugal impeller
 Impeller made of bright sheet metal powder-coated resistance class 1 (L-TI-0585) RAL 5002 (ultramarine blue)
 Inlet nozzle with measuring device for air flow measurement
 Fitting position H (horizontal)
 Rated voltage U_N : 3~ 400 V
 Rated frequency f_N : 50 Hz
 Motor protection: PTC resistor
 Degree of protection: IP55
 Thermal class: THCL155
 Min. permitted medium temperature $t_{R(min)}$: -20 °C
 Max. permitted medium temperature $t_{R(max)}$ at n_{max} : 40 °C
 Approvals: CE, UKCA
 Conformity: ErP 2015

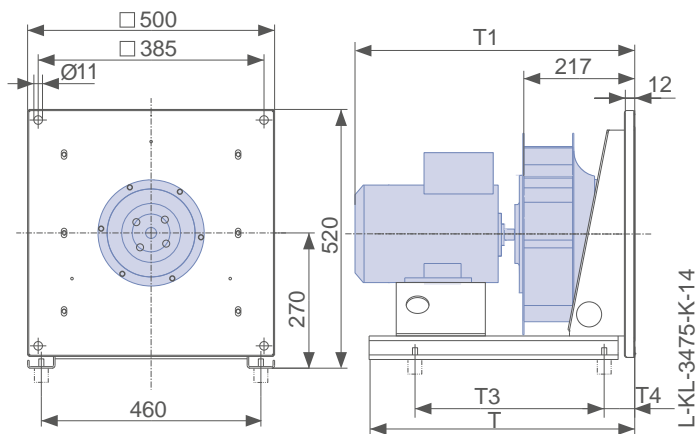
Nozzle coefficients

Standard k	121
With guard grille k_g	116
With inlet guide grille k_{Zallow}	119

Characteristic curve



Dimensions mm



C-ZAmotpremium IE3

Rated power P_N kW	Type	Article no.	Motor size	Motor efficiency η_{mot} %	Rated current I_N A	Rated speed n_N rpm	Maximum speed n_{max} rpm	Maximum frequency f_{max} Hz	Efficiency η_{statA} %	Efficiency grade N_{actual}^*
1.10	ER35C-4DN.C7.1R	131399/0141	090S/L	84.1	2.40	1440	2330	81	61.9	71.6
1.50	ER35C-4DN.D7.1R	130595/0141	090L/S	85.3	3.20	1445	2570	89	62.8	71.3
2.20	ER35C-2DN.D7.1R	130596/0141	090L/S	85.9	4.20	2910	2980	51	63.2	69.7
3.00	ER35C-2DN.E7.1R	130597/0141	100L	87.1	5.60	2920	3330	57	64.1	69.1
4.00	ER35C-2DN.F7.1R	130598/0141	112M	88.1	7.30	2945	3650	61	65.2	68.7

* ErP 2015 setpoint N=62 | expected setpoint for next ErP level N=64

P_N kW	Type	Weight kg	T mm	T1 mm	T3 mm	T4 mm	Flexible connector	Guard grille	Vibration damper		Frequency inverters 3~	Inlet guide grille ZAflow
									Spring	Rubber		
1.10	ER35C-4DN.C7.1R	34.00	570	544	315	115	00406514	00411572	02021196	00090144	308228	00415083
1.50	ER35C-4DN.D7.1R	37.00	570	569	315	115	00406514	00411572	02021197	00090144	308230	00415083
2.20	ER35C-2DN.D7.1R	37.00	570	584	315	115	00406514	00411572	02021197	00090144	308232	00415083
3.00	ER35C-2DN.E7.1R	46.00	570	618	368	115	00406514	00411572	02021197	00090144	308234	00415083
4.00	ER35C-2DN.F7.1R	53.00	570	601	420	115	00406514	00411572	02021197	00090144	308236	00415083

Information

ZABluefin

Cpro

C

C-ATEX

Impellers with hub

System components

Control technology

General notes

ziehl-abegg.com



155

Fiche produit Motralec Ziehl Abegg C Zamotpremium ER35C - fiche technique | Motralec

■ **DEMANDE DE PRIX RAPIDE** : <https://www.motralec.com/demandeContact>

Besoin d'un prix ou d'un conseil technique ?

Fan C Ziehl Abegg C ZAMOTPREMIUM ER35C



4,7/5 . +600 avis Google

- Devis rapide et conseil technique par nos spécialistes
- Plus de 200 000 références et 30 marques distribuées
- Vente, réparation, bobinage et SAV en atelier
- Livraison partout en France, accompagnement avant et après-vente

Voir la gamme Ziehl Abegg sur notre site :

www.motralec.com/.../ziehl-abegg

DEMANDER UN PRIX >