

Fiche produit Motralec Ziehl Abegg C Zamotpremium ER31C - fiche technique | Motralec

■ DEMANDE DE PRIX RAPIDE : <https://www.motralec.com/demandeContact>

www.motralec.com / service-commercial@motralec.com / 01.39.97.65.10

# Plug fan C

ER31C

Motor ZAMotpremium IE3



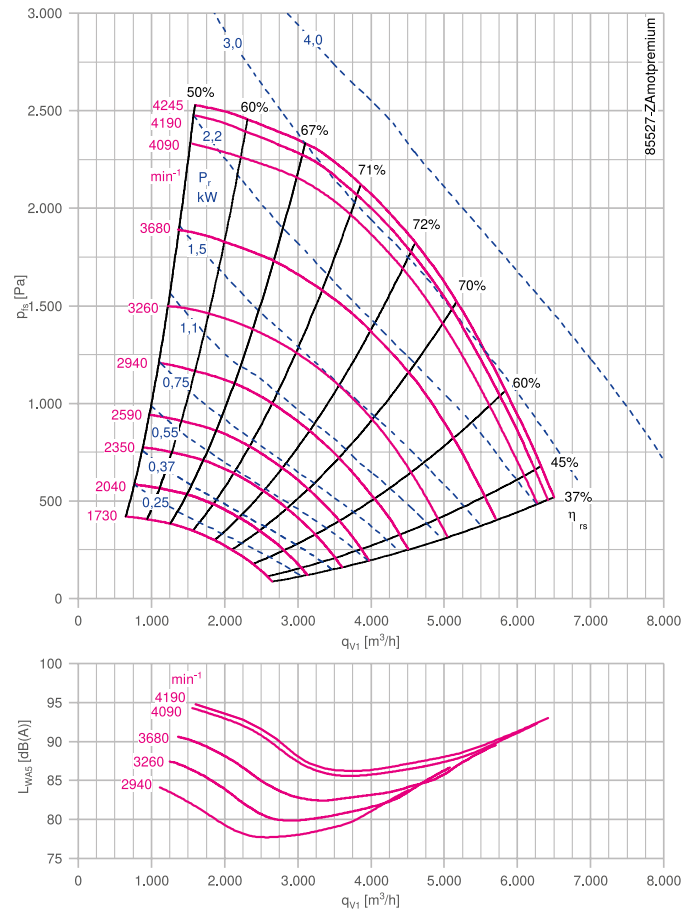
### Description

Plug fan with high performance centrifugal impeller  
 Impeller made of bright sheet metal powder-coated resistance class 1 (L-TI-0585) RAL 5002 (ultramarine blue)  
 Inlet nozzle with measuring device for air flow measurement  
 Fitting position H (horizontal)  
 Rated voltage  $U_N$ : 3~ 400 V  
 Rated frequency  $f_N$ : 50 Hz  
 Motor protection: PTC resistor  
 Degree of protection: IP55  
 Thermal class: THCL155  
 Min. permitted medium temperature  $t_{R(min)}$ : -20 °C  
 Max. permitted medium temperature  $t_{R(max)}$  at  $n_{max}$ : 40 °C  
 Approvals: CE, UKCA  
 Conformity: ErP 2015

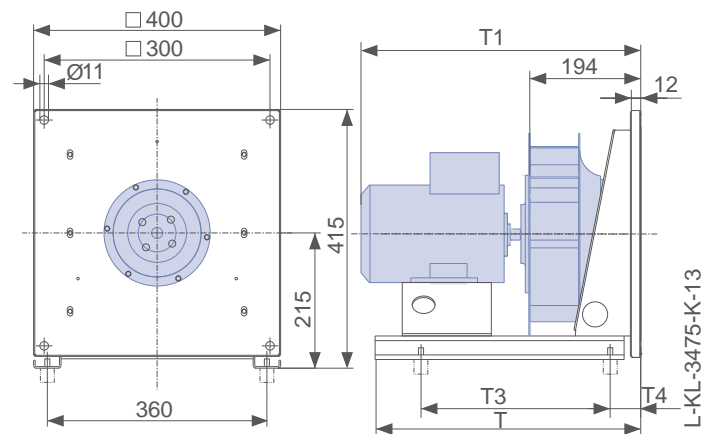
### Nozzle coefficients

Standard  $k$  95  
 With guard grille  $k_g$  91  
 With inlet guide grille  $k_{zAflow}$  93

Characteristic curve



Dimensions mm



## C-ZAmotpremium IE3

Rated power $P_N$ kW	Type	Article no.	Motor size	Motor efficiency $\eta_{mot}$ %	Rated current $I_N$ A	Rated speed $n_N$ rpm	Maximum speed $n_{max}$ rpm	Maximum frequency $f_{max}$ Hz	Efficiency $\eta_{statA}$ %	Efficiency grade $N_{actual}^*$
1.10	<a href="#">ER31C-2DN.B7.1R</a>	<a href="#">130599/0141</a>	080M	82.7	2.20	2885	2940	51	61.1	70.3
1.50	<a href="#">ER31C-2DN.C7.1R</a>	<a href="#">130600/0141</a>	090S/L	84.2	3.00	2910	3260	56	62.2	70.0
2.20	<a href="#">ER31C-2DN.D7.1R</a>	<a href="#">130601/0141</a>	090L/S	85.9	4.20	2910	3680	63	63.4	69.7
3.00	<a href="#">ER31C-2DN.E7.1R</a>	<a href="#">130602/0141</a>	100L	87.1	5.60	2920	4090	70	64.3	69.2
4.00	<a href="#">ER31C-2DN.F7.1R</a>	<a href="#">130603/0141</a>	112M	88.1	7.30	2945	4190	71	65.0	69.6

\* ErP 2015 setpoint N=62 | expected setpoint for next ErP level N=64

$P_N$ kW	Type	Weight kg	T mm	T1 mm	T3 mm	T4 mm	Flexible connector	Guard grille	Vibration damper		Frequency inverters 3~	Inlet guide grille ZAflow
									Spring	Rubber		
1.10	<a href="#">ER31C-2DN.B7.1R</a>	26.00	460	512	368	60	00406513	00411571	02021195	00090144	308228	00415083
1.50	<a href="#">ER31C-2DN.C7.1R</a>	30.00	570	522	420	60	00406513	00411571	02021196	00090144	308230	00415083
2.20	<a href="#">ER31C-2DN.D7.1R</a>	34.00	570	562	420	60	00406513	00411571	02021196	00090144	308232	00415083
3.00	<a href="#">ER31C-2DN.E7.1R</a>	41.00	570	595	473	60	00406513	00411571	02021196	00090144	308234	00415083
4.00	<a href="#">ER31C-2DN.F7.1R</a>	49.00	570	579	473	60	00406513	00411571	02021197	00090144	308236	00415083

Information

ZABluefin

Cpro

C

C-ATEX

Impellers with hub

System components

Control technology

General notes

ziehl-abegg.com



153

Fiche produit Motralec Ziehl Abegg C Zamotpremium ER31C - fiche technique | Motralec

■ **DEMANDE DE PRIX RAPIDE** : <https://www.motralec.com/demandeContact>

## Besoin d'un prix ou d'un conseil technique ?

Fan C Ziehl Abegg C ZAMOTPREMIUM ER31C



4,7/5 . +600 avis Google

- Devis rapide et conseil technique par nos spécialistes
- Plus de 200 000 références et 30 marques distribuées
- Vente, réparation, bobinage et SAV en atelier
- Livraison partout en France, accompagnement avant et après-vente

Voir la gamme Ziehl Abegg sur notre site :

[www.motralec.com/.../ziehl-abegg](http://www.motralec.com/.../ziehl-abegg)

**DEMANDER UN PRIX >**