

Fiche produit Motralec Ziehl Abegg C Zamotpremium ER28C - fiche technique | Motralec

■ **DEMANDE DE PRIX RAPIDE** : <https://www.motralec.com/demandeContact>

Plug fan C - ZAMotpremium www.motralec.com / service-commercial@motralec.com / 01.39.97.65.10

Plug fan C

ER28C

Motor ZAMotpremium IE3



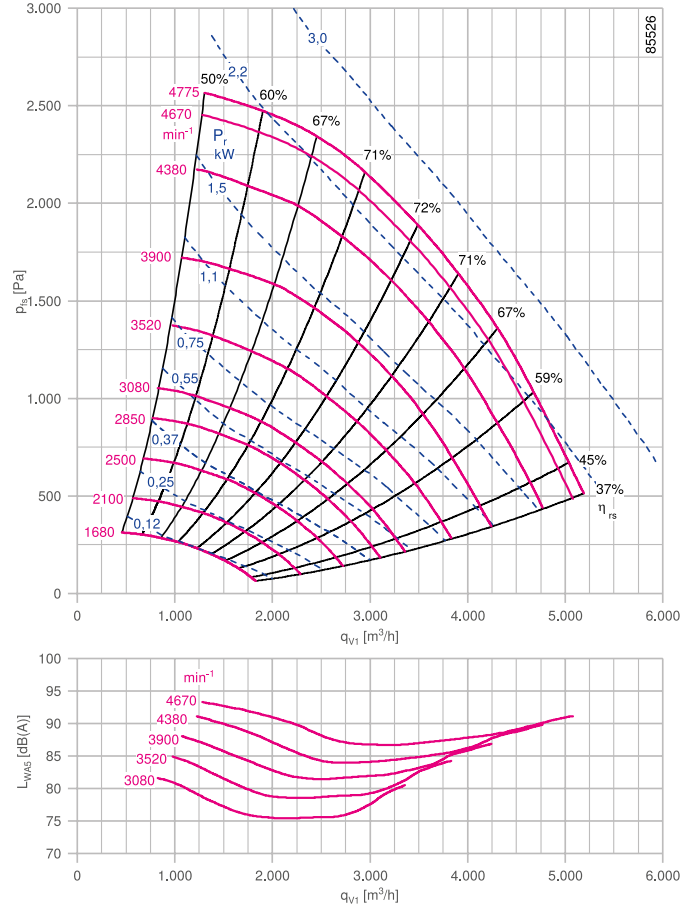
Description

Plug fan with high performance centrifugal impeller
 Impeller made of bright sheet metal powder-coated resistance class 1 (L-TI-0585) RAL 5002 (ultramarine blue)
 Inlet nozzle with measuring device for air flow measurement
 Fitting position H (horizontal)
 Rated voltage U_N : 3~ 400 V
 Rated frequency f_N : 50 Hz
 Motor protection: PTC resistor
 Degree of protection: IP55
 Thermal class: THCL155
 Min. permitted medium temperature $t_{R(min)}$: -20 °C
 Max. permitted medium temperature $t_{R(max)}$ at n_{max} : 40 °C
 Approvals: CE, UKCA
 Conformity: ErP 2015

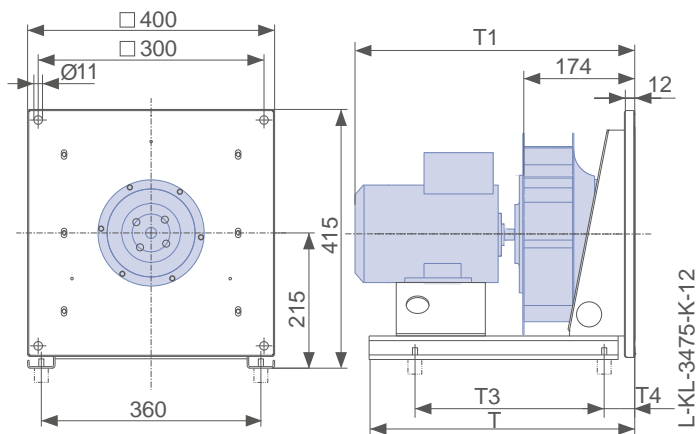
Nozzle coefficients

Standard k	75
With guard grille k_g	72
With inlet guide grille k_{zAllow}	74

Characteristic curve



Dimensions mm



C-ZAmotpremium IE3

Rated power P_N kW	Type	Article no.	Motor size	Motor efficiency η_{mot} %	Rated current I_N A	Rated speed n_N rpm	Maximum speed n_{max} rpm	Maximum frequency f_{max} Hz	Efficiency η_{statA} %	Efficiency grade N_{actual}^*
0.75	ER28C-2DN.B7.1R	130604/0141	080M	80.7	1.56	2850	3080	54	59.5	70.6
1.10	ER28C-2DN.B7.1R	130605/0141	080M	82.7	2.20	2885	3520	61	60.9	70.3
1.50	ER28C-2DN.C7.1R	130606/0141	090S/L	84.2	3.00	2910	3900	67	62.0	70.1
2.20	ER28C-2DN.D7.1R	130607/0141	090L/S	85.9	4.20	2910	4370	75	63.3	69.9
3.00	ER28C-2DN.E7.1R	130608/0141	100L	87.1	5.60	2920	4670	80	64.2	70.0

* ErP 2015 setpoint N=62 | expected setpoint for next ErP level N=64

P_N kW	Type	Weight kg	T mm	T1 mm	T3 mm	T4 mm	Flexible connector	Guard grille	Vibration damper		Frequency inverters 3~	Inlet guide grille ZAflow
									Spring	Rubber		
0.75	ER28C-2DN.B7.1R	24.00	460	457	368	60	00406513	00411643	02021195	00090144	308228	00415082
1.10	ER28C-2DN.B7.1R	25.00	460	492	368	60	00406513	00411643	02021195	00090144	308228	00415082
1.50	ER28C-2DN.C7.1R	28.00	460	502	368	60	00406513	00411643	02021196	00090144	308230	00415082
2.20	ER28C-2DN.D7.1R	32.00	460	542	368	60	00406513	00411643	02021196	00090144	308232	00415082
3.00	ER28C-2DN.E7.1R	40.00	570	575	473	60	00406513	00411643	02021196	00090144	308234	00415082

Information

ZABluefin

Cpro

C

C-ATEX

Impellers with hub

System components

Control technology

General notes

ziehl-abegg.com



151

Fiche produit Motralec Ziehl Abegg C Zamotpremium ER28C - fiche technique | Motralec

■ **DEMANDE DE PRIX RAPIDE** : <https://www.motralec.com/demandeContact>

Besoin d'un prix ou d'un conseil technique ?

Fan C Ziehl Abegg C ZAMOTPREMIUM ER28C



4,7/5 . +600 avis Google

- Devis rapide et conseil technique par nos spécialistes
- Plus de 200 000 références et 30 marques distribuées
- Vente, réparation, bobinage et SAV en atelier
- Livraison partout en France, accompagnement avant et après-vente

Voir la gamme Ziehl Abegg sur notre site :

www.motralec.com/.../ziehl-abegg

DEMANDER UN PRIX >