

Fiche produit Motralec Ziehl Abegg C Zamotpremium ER11C 4R - fiche technique | Motralec

■ DEMANDE DE PRIX RAPIDE : <https://www.motralec.com/demandeContact>

www.motralec.com / service-commercial@motralec.com / 01.39.97.65.10

Plug fan C - ZAmotpremium

Centrifugal fans main catalogue with IEC standard motor

# Plug fan C

ER11C.4R

Motor ZAmotpremium IE3



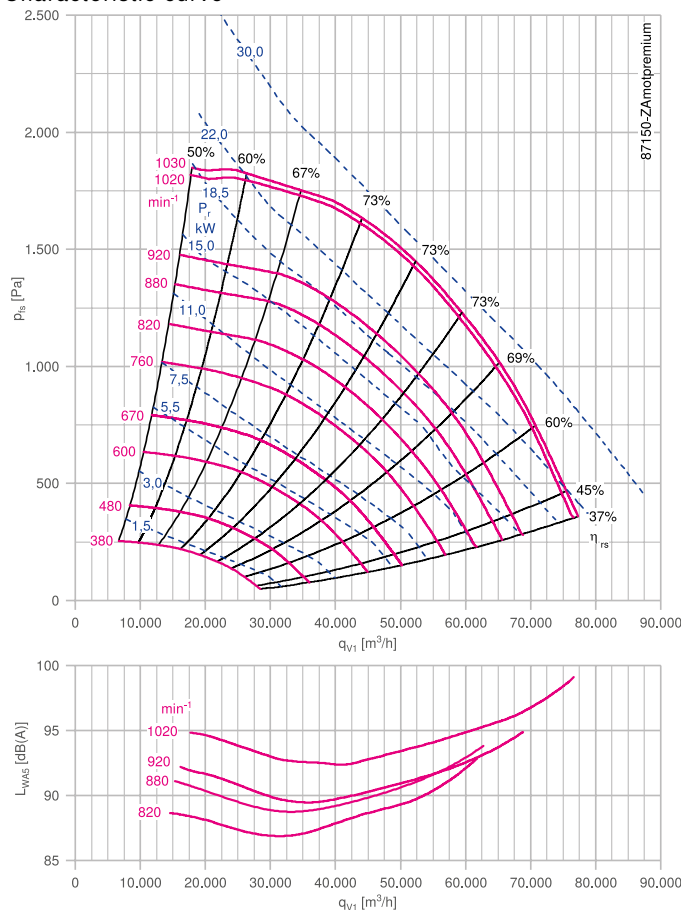
### Description

Plug fan with high performance centrifugal impeller  
 Impeller made of bright sheet metal powder-coated resistance class 1 (L-TI-0585) RAL 5002 (ultramarine blue)  
 Inlet nozzle with measuring device for air flow measurement  
 Fitting position H (horizontal)  
 Rated voltage  $U_N$ : 3~ 400 V  
 Rated frequency  $f_N$ : 50 Hz  
 Motor protection: PTC resistor  
 Degree of protection: IP55  
 Thermal class: THCL155  
 Min. permitted medium temperature  $t_{R(min)}$ : -20 °C  
 Max. permitted medium temperature  $t_{R(max)}$  at  $n_{max}$ : 40 °C  
 Approvals: CE, UKCA  
 Conformity: ErP 2015

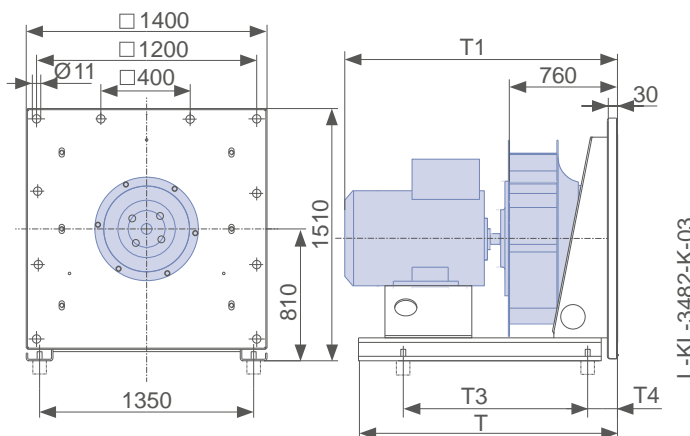
### Nozzle coefficients

Standard k	1233
With guard grille $k_g$	1072

Characteristic curve



Dimensions mm



## C-ZAmotpremium IE3

Rated power $P_N$ kW	Type	Article no.	Motor size	Motor efficiency $\eta_{mot}$ %	Rated current $I_N$ A	Rated speed $n_N$ rpm	Maximum speed $n_{max}$ rpm	Maximum frequency $f_{max}$ Hz	Efficiency $\eta_{statA}$ %	Efficiency grade $N_{actual}^*$
15.00	<a href="#">ER11C-8DN.N7.4R</a>	<a href="#">114326/0141</a>	200L	89.6	33.50	730	820	56	66.9	66.4
18.50	<a href="#">ER11C-8DN.P7.4R</a>	<a href="#">114327/0141</a>	225S/M	90.1	39.50	732	880	60	67.2	66.5
22.00	<a href="#">ER11C-8DN.R7.4R</a>	<a href="#">114328/0141</a>	225M/S	90.6	45.50	732	920	63	67.6	66.8
30.00	<a href="#">ER11C-6DN.R7.4R</a>	<a href="#">114329/0141</a>	225M/S	92.9	56.00	982	1020	52	69.3	68.1

\* ErP 2015 setpoint N=62 | expected setpoint for next ErP level N=64

$P_N$ kW	Type	Weight kg	T mm	T1 mm	T3 mm	T4 mm	Flexible connector	Guard grille	Vibration damper		Frequency inverters 3~
									Spring	Rubber	
15.00	<a href="#">ER11C-8DN.N7.4R</a>	606.00	1380	1365	1210	130	00403352	00411650	02006452	02000407	308327
18.50	<a href="#">ER11C-8DN.P7.4R</a>	621.00	1380	1377	1210	130	00403352	00411650	02006452	02000407	308329
22.00	<a href="#">ER11C-8DN.R7.4R</a>	621.00	1380	1377	1210	130	00403352	00411650	02006452	02000407	308329
30.00	<a href="#">ER11C-6DN.R7.4R</a>	676.00	1380	1439	1210	130	00403352	00411650	02006452	02019767	308331

Information

ZABluefin

Cpro

C

C-ATEX

Impellers with hub

System components

Control technology

General notes

ziehl-abegg.com



175

Fiche produit Motralec Ziehl Abegg C Zamotpremium ER11C 4R - fiche technique | Motralec

■ **DEMANDE DE PRIX RAPIDE** : <https://www.motralec.com/demandeContact>

## Besoin d'un prix ou d'un conseil technique ?

Fan C Ziehl Abegg C ZAMOTPREMIUM ER11C 4R



4,7/5 . +600 avis Google

- Devis rapide et conseil technique par nos spécialistes
- Plus de 200 000 références et 30 marques distribuées
- Vente, réparation, bobinage et SAV en atelier
- Livraison partout en France, accompagnement avant et après-vente

Voir la gamme Ziehl Abegg sur notre site :

[www.motralec.com/.../ziehl-abegg](http://www.motralec.com/.../ziehl-abegg)

**DEMANDER UN PRIX >**