

★★★★★ 4,7/5 sur +600 avis Google . Depuis 1976 . 3 agences : Herblay (95), Sèvres (92), Étréchy (91) . www.motralec.com

Fiche produit Motralec Ziehl Abegg C Zamotpremium ER11C 1R - fiche technique | Motralec

■ DEMANDE DE PRIX RAPIDE : <https://www.motralec.com/demandeContact>

www.motralec.com / service-commercial@motralec.com / 01.39.97.65.10

Plug fan C

ER11C.1R

Motor ZAmotpremium IE3



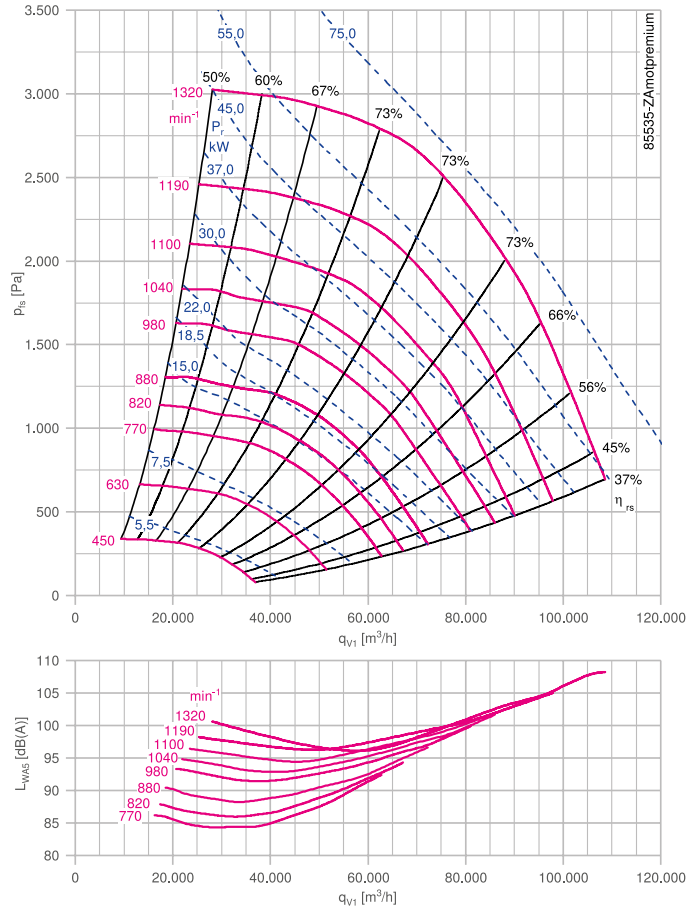
Description

Plug fan with high performance centrifugal impeller
 Impeller made of bright sheet metal powder-coated resistance class 1 (L-TI-0585) RAL 5002 (ultramarine blue)
 Inlet nozzle with measuring device for air flow measurement
 Fitting position H (horizontal)
 Rated voltage U_N : 3~ 400 V
 Rated frequency f_N : 50 Hz
 Motor protection: PTC resistor
 Degree of protection: IP55
 Thermal class: THCL155
 Min. permitted medium temperature $t_{R(min)}$: -20 °C
 Max. permitted medium temperature $t_{R(max)}$ at n_{max} : 40 °C
 Approvals: CE, UKCA
 Conformity: ErP 2015

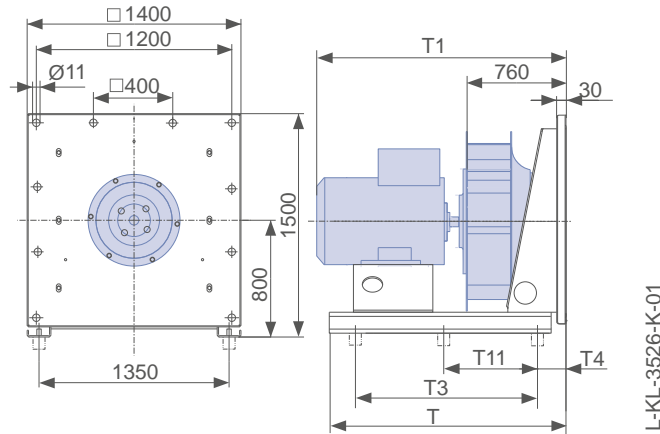
Nozzle coefficients

Standard k 1233
 With guard grille k_g 1072

Characteristic curve



Dimensions mm



L-KL-3526-K-01

C-ZAmotpremium IE3

Rated power P_N kW	Type	Article no.	Motor size	Motor efficiency η_{mot} %	Rated current I_N A	Rated speed n_N rpm	Maximum speed n_{max} rpm	Maximum frequency f_{max} Hz	Efficiency η_{statA} %	Efficiency grade N_{actual}^*
15.00	ER11C-8DN.N7.1R	112463/0141	200L	89.6	33.50	730	770	53	66.7	66.2
18.50	ER11C-8DN.P7.1R	112464/0141	225S/M	90.1	39.50	732	820	56	67.1	66.4
22.00	ER11C-8DN.R7.1R	112465/0141	225M/S	90.6	45.50	732	880	60	67.4	66.5
30.00	ER11C-6DN.R7.1R	112466/0141	225M/S	92.9	56.00	982	960	49	69.1	68.0
37.00	ER11C-6DN.S7.1R	112467/0141	250M	93.3	67.00	985	1040	53	69.4	68.0
45.00	ER11C-6DN.T7.1R	112468/0141	280S/M	93.7	82.00	985	1100	56	69.8	68.2
55.00	ER11C-6DN.U7.1R	113408/0141	280M/S	94.1	99.00	985	1190	60	70.0	68.2
75.00	ER11C-6DN.W7.1R	113405/0141	315S	94.6	136.00	990	1320	67	70.4	68.2

* ErP 2015 setpoint N=62 | expected setpoint for next ErP level N=64

P_N kW	Type	Weight kg	T mm	T1 mm	T3 mm	T4 mm	Flexible connector	Guard grille	Vibration damper		Frequency inverters 3~
									Spring	Rubber	
15.00	ER11C-8DN.N7.1R	696.00	1630	1442	1235	160	00403352	00411650	02006452	02000407	308327
18.50	ER11C-8DN.P7.1R	711.00	1630	1454	1235	160	00403352	00411650	02006452	02000407	308329
22.00	ER11C-8DN.R7.1R	711.00	1630	1454	1235	160	00403352	00411650	02006452	02000407	308329
30.00	ER11C-6DN.R7.1R	766.00	1630	1516	1432	160	00403352	00411650	02006453	02019767	308331
37.00	ER11C-6DN.S7.1R	846.00	1630	1561	1400	160	00403352	00411650	02006453	02019767	
45.00	ER11C-6DN.T7.1R	951.00	1630	1630	1430	160	00403352	00411650	02006453	02019767	
55.00	ER11C-6DN.U7.1R	1001.00	1630	1630	1430	160	00403352	00411650	02006453	02019767	
75.00	ER11C-6DN.W7.1R	1305.00	1795	1718	1460	276	00403352	00411650	02006453	02019767	

From motor size 280 are six vibration dampers intended. T11 = 730 mm

ziehl-abegg.com



177

Fiche produit Motralec Ziehl Abegg C Zamotpremium ER11C 1R - fiche technique | Motralec

■ **DEMANDE DE PRIX RAPIDE** : <https://www.motralec.com/demandeContact>

Information

ZABluefin

Cpro

C

C-ATEX

Impellers with hub

System components

Control technology

General notes

Besoin d'un prix ou d'un conseil technique ?

Fan C Ziehl Abegg C ZAMOTPREMIUM ER11C 1R



4,7/5 . +600 avis Google

- Devis rapide et conseil technique par nos spécialistes
- Plus de 200 000 références et 30 marques distribuées
- Vente, réparation, bobinage et SAV en atelier
- Livraison partout en France, accompagnement avant et après-vente

Voir la gamme Ziehl Abegg sur notre site :

www.motralec.com/.../ziehl-abegg

DEMANDER UN PRIX >