

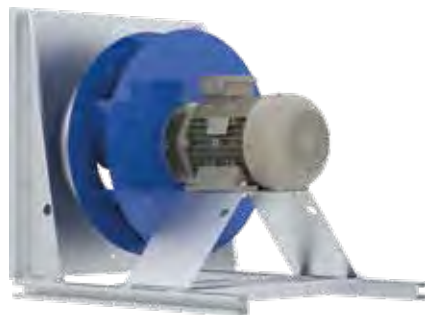
Plug fan C - ZAmotpremium  
85490

Centrifugal fans main catalogue with IEC standard motor  
85202

# Plug fan C

ER10C

Motor ZAmotpremium IE3



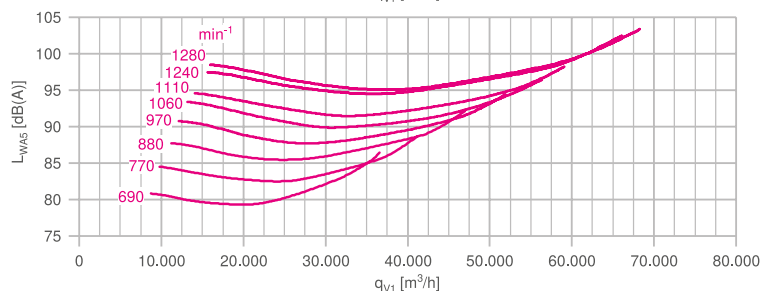
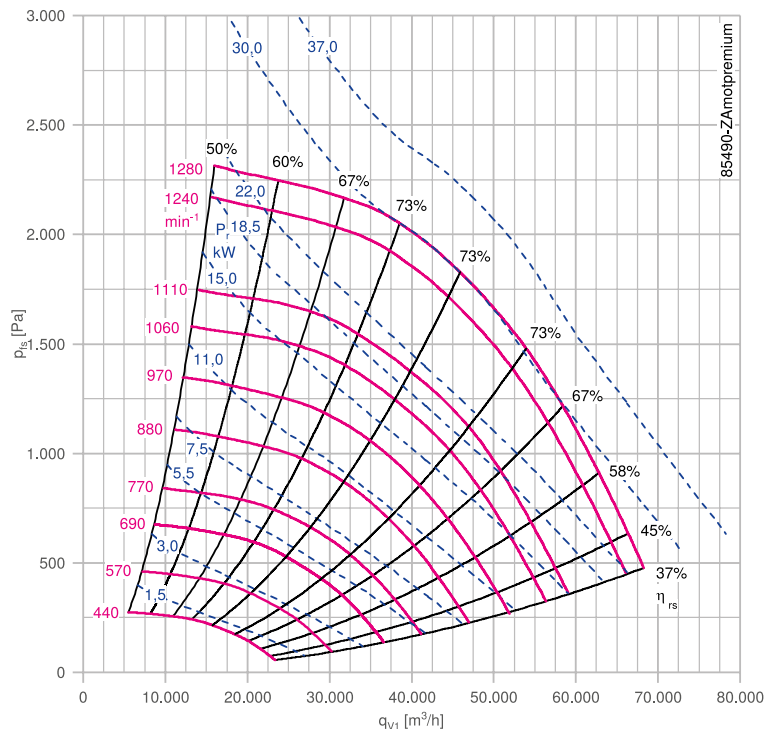
## Description

Plug fan with high performance centrifugal impeller  
 Impeller made of bright sheet metal powder-coated resistance class 1 (L-TI-0585) RAL 5002 (ultramarine blue)  
 Inlet nozzle with measuring device for air flow measurement  
 Fitting position H (horizontal)  
 Rated voltage  $U_N$ : 3~ 400 V  
 Rated frequency  $f_N$ : 50 Hz  
 Motor protection: PTC resistor  
 Degree of protection: IP55  
 Thermal class: THCL155  
 Min. permitted medium temperature  $t_{R(min)}$ : -20 °C  
 Max. permitted medium temperature  $t_{R(max)}$  at  $n_{max}$ : 40 °C  
 Approvals: CE, UKCA  
 Conformity: ErP 2015

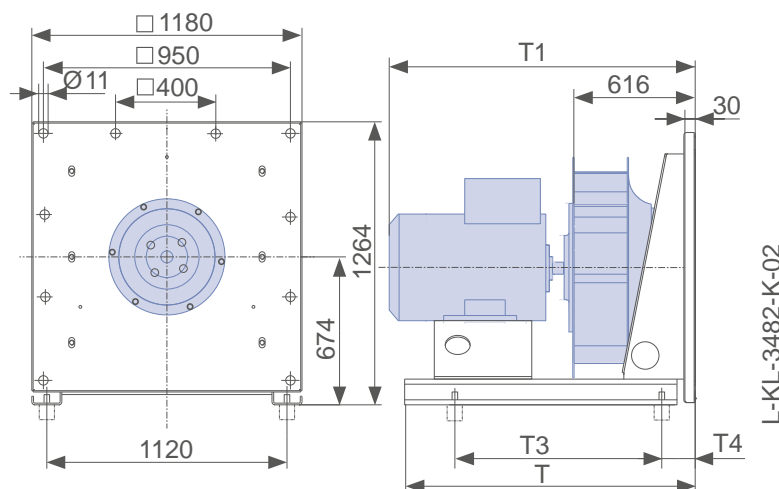
## Nozzle coefficients

Standard k	999
With guard grille $k_g$	958

Characteristic curve



Dimensions mm



C-ZAmotpremium IE3										
Rated power $P_N$ kW	Type	Article no.	Motor size	Motor efficiency $\eta_{mot}$ %	Rated current $I_N$ A	Rated speed $n_N$ rpm	Maximum speed $n_{max}$ rpm	Maximum frequency $f_{max}$ Hz	Efficiency $\eta_{statA}$ %	Efficiency grade $N_{actual}^*$
5.50	<a href="#">ER10C-8DN.I7.1R</a>	<a href="#">130528/0141</a>	160M/L	86.2	14.00	730	690	47	64.4	66.9
7.50	<a href="#">ER10C-8DN.K7.1R</a>	<a href="#">130529/0141</a>	160L	87.3	19.10	728	770	53	65.3	66.3
11.00	<a href="#">ER10C-8DN.M7.1R</a>	<a href="#">130530/0141</a>	180L/M	88.6	24.00	725	880	61	66.3	66.2
15.00	<a href="#">ER10C-6DN.M7.1R</a>	<a href="#">130531/0141</a>	180L/M	91.2	29.50	975	970	50	68.2	67.8
18.50	<a href="#">ER10C-6DN.N7.1R</a>	<a href="#">130532/0141</a>	200L	91.7	37.00	975	1060	54	68.6	67.9
22.00	<a href="#">ER10C-6DN.N7.1R</a>	<a href="#">130533/0141</a>	200L	92.2	43.00	978	1110	57	69.0	68.2
30.00	<a href="#">ER10C-6DN.R7.1R</a>	<a href="#">130534/0141</a>	225M/S	92.9	56.00	982	1240	63	69.5	68.3
37.00	<a href="#">ER10C-6DN.S7.1R</a>	<a href="#">130535/0141</a>	250M	93.3	67.00	985	1280	65	69.8	68.5

\* ErP 2015 setpoint N=62 | expected setpoint for next ErP level N=64

$P_N$ kW	Type	Weight kg	T mm	T1 mm	T3 mm	T4 mm	Flexible connector	Guard grille	Vibration damper		Frequency inverters 3~
									Spring	Rubber	
5.50	<a href="#">ER10C-8DN.I7.1R</a>	316.00	1160	1146	998	115	00403351	00411649	02006450	02001674	308267
7.50	<a href="#">ER10C-8DN.K7.1R</a>	340.00	1160	1206	945	115	00403351	00411649	02006450	02001674	308323
11.00	<a href="#">ER10C-8DN.M7.1R</a>	423.00	1320	1240	1103	115	00403351	00411649	02006451	02000407	308323
15.00	<a href="#">ER10C-6DN.M7.1R</a>	413.00	1320	1210	1103	115	00403351	00411649	02006451	02000407	308325
18.50	<a href="#">ER10C-6DN.N7.1R</a>	451.00	1320	1263	1155	115	00403351	00411649	02006451	02000407	308327
22.00	<a href="#">ER10C-6DN.N7.1R</a>	466.00	1320	1288	1050	115	00403351	00411649	02006451	02000407	308329
30.00	<a href="#">ER10C-6DN.R7.1R</a>	559.00	1320	1362	1155	115	00403351	00411649	02006452	02019767	308331
37.00	<a href="#">ER10C-6DN.S7.1R</a>	642.00	1320	1407	1155	115	00403351	00411649	02006452	02019767	