

C plug fan – PMblue
ER90C

Centrifugal fans main catalogue with IEC standard motor
05/2022

Plug fan C

ER90C

Motor PMblue IE4



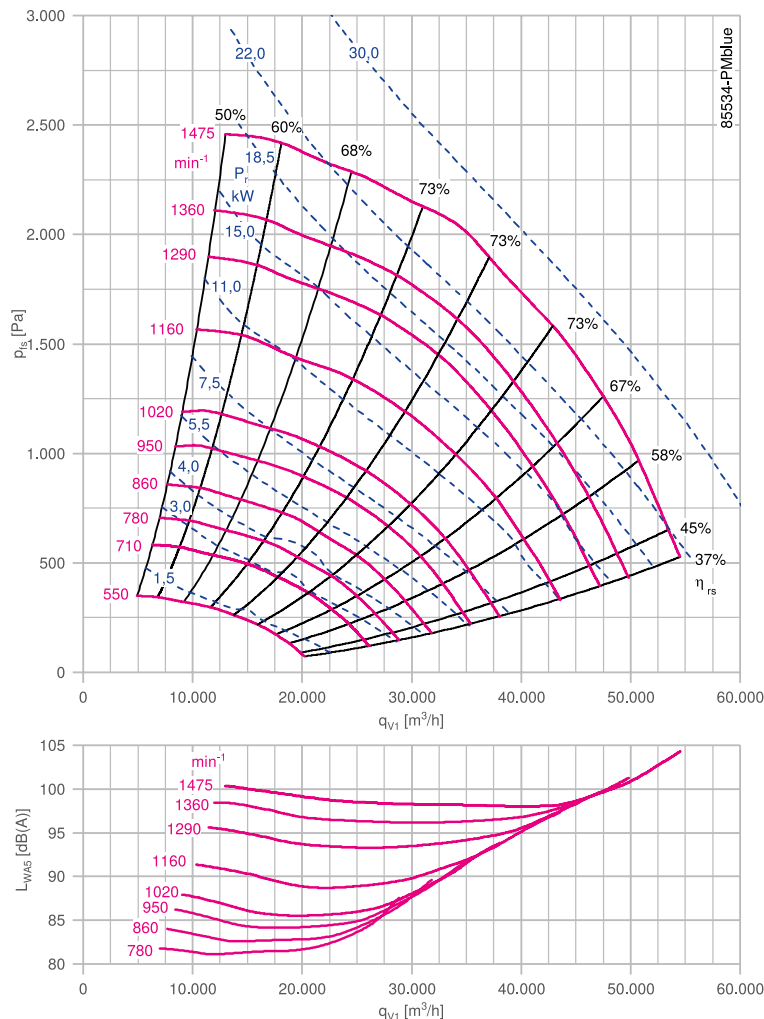
Description

Plug fan with high performance centrifugal impeller
 Impeller made of bright sheet metal powder-coated resistance class 1 (L-TI-0585) RAL 5002 (ultramarine blue)
 Inlet nozzle with measuring device for air flow measurement
 Motor with built-on PMIcontrol basic-M
 Fitting position H (horizontal)
 Rated voltage U_N : 3~ 380-480 V
 Rated frequency f_N : 50/60 Hz
 Motor protection: PTC resistor
 Degree of protection: IP54
 Thermal class: THCL155
 Min. permitted medium temperature $t_{R(min)}$: -20 °C
 Max. permitted medium temperature $t_{R(max)}$ at n_{max} : 40 °C
 Approvals: CE, UKCA
 Conformity: ErP 2015

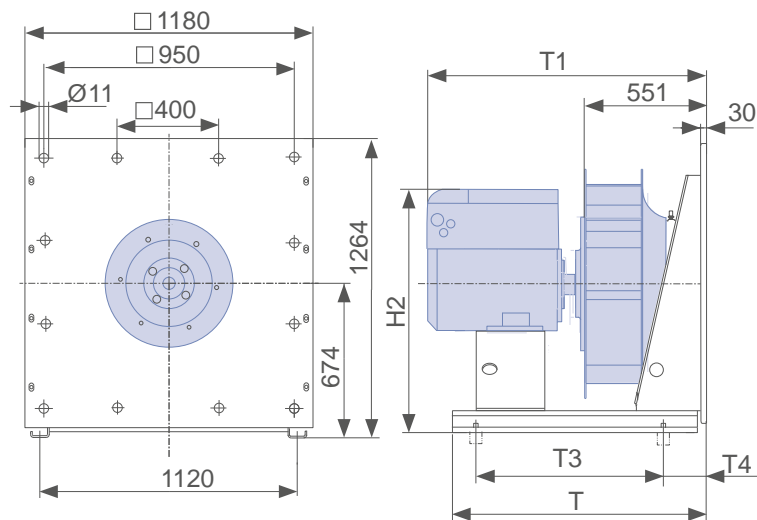
Nozzle coefficients

Standard k 789
 With guard grille k_g 756

Characteristic curve



Dimensions mm



L-KL-3495-K-01



| C-PMblue IE4 | | | | | | | | | | |
|----------------------------|---------------------------------|-----------------------------|------------|---------------------------------------|-----------------------------|-----------------------------|-----------------------------------|-------------------------------|-----------------------------------|------------------------------------|
| Rated power P_N kW | Type | Article no. | Motor size | Motor efficiency η_{mot} % | Rated current I_N A | Rated speed n_N rpm | Maximum speed n_{max} rpm | Input power P_{ed} kW | Efficiency η_{statA} % | Efficiency grade N_{actual}^* |
| 7.40 | ER90C-6IN.H7.1R | 115638/0P61 | 132M | 92.5 | 13.0-10.5 | 950 | 950 | 8.00 | 69.4 | 70.5 |
| 14.90 | ER90C-6IN.H7.1R | 115639/0P61 | 132M | 94.5 | 19.0-15.0 | 1200 | 1020 | 10.00 | 70.9 | 71.2 |
| 14.90 | ER90C-6IN.H7.1R | 115640/0P61 | 132M | 94.5 | 26.0-21.0 | 1200 | 1160 | 15.00 | 70.9 | 70.6 |
| 18.50 | ER90C-8IN.K7.1R | 116043/0P61 | 160L | 93.4 | 33.0-26.0 | 1320 | 1290 | 19.50 | 70.1 | 69.4 |
| 22.00 | ER90C-8IN.K7.1R | 116044/0P61 | 160L | 93.7 | 38.0-30.0 | 1370 | 1360 | 23.00 | 70.3 | 69.5 |

* ErP 2015 setpoint N=62 | expected setpoint for next ErP level N=64

| P_N kW | Type | Weight kg | T mm | T1 mm | T3 mm | T4 mm | H2 mm | Flexible connector | Guard grille | Vibration damper | |
|-------------|---------------------------------|--------------|---------|----------|----------|----------|----------|--------------------|--------------|------------------|----------|
| | | | | | | | | | | Spring | Rubber |
| 7.40 | ER90C-6IN.H7.1R | 251.00 | 1160 | 1011 | 788 | 115 | 938 | 00403351 | 00411648 | 02006450 | 02001674 |
| 14.90 | ER90C-6IN.H7.1R | 274.00 | 1160 | 1062 | 735 | 115 | 998 | 00403351 | 00411648 | 02006450 | 02000407 |
| 14.90 | ER90C-6IN.H7.1R | 274.00 | 1160 | 1062 | 840 | 115 | 998 | 00403351 | 00411648 | 02006451 | 02000407 |
| 18.50 | ER90C-8IN.K7.1R | 314.00 | 1160 | 1128 | 998 | 115 | 1025 | 00403351 | 00411648 | 02006451 | 02000407 |
| 22.00 | ER90C-8IN.K7.1R | 324.00 | 1160 | 1128 | 998 | 115 | 1025 | 00403351 | 00411648 | 02006451 | 02000407 |

Information

ZAbbluefin

Cpro

C

C-ATEX

Impellers with hub

System components

Control technology

General notes

