

C plug fan – PMblue
ER80C

Centrifugal fans main catalogue with IEC standard motor
05/2022

Plug fan C

ER80C

Motor PMblue IE4



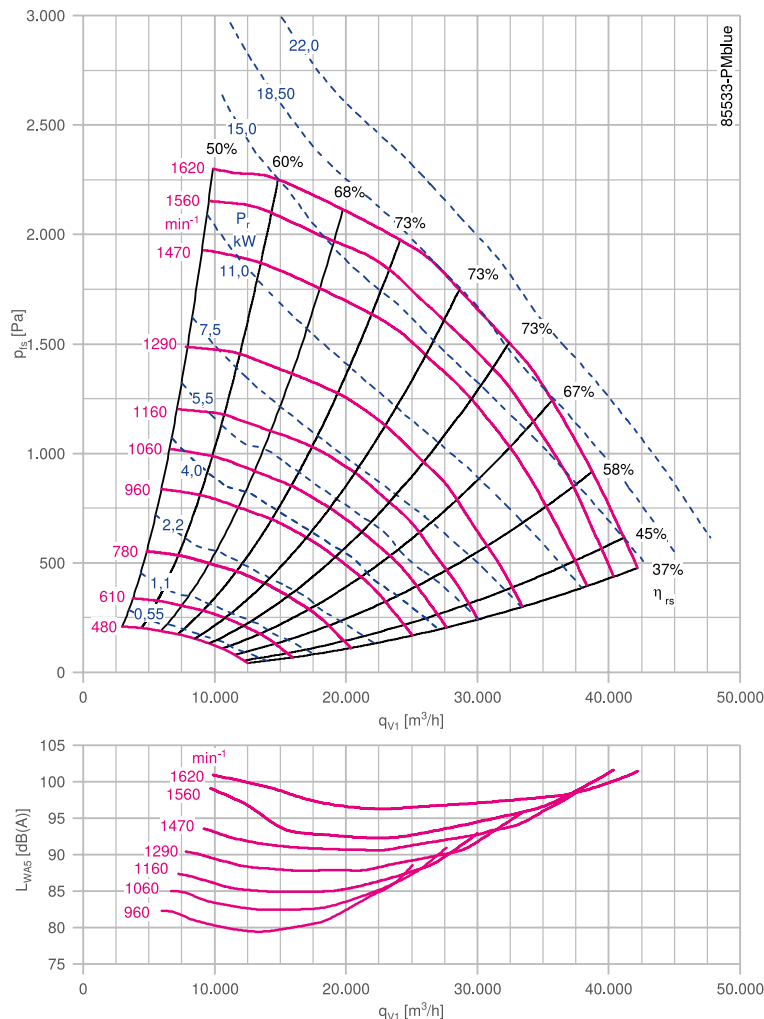
Description

Plug fan with high performance centrifugal impeller
Impeller made of bright sheet metal powder-coated resistance class 1 (L-TI-0585) RAL 5002 (ultramarine blue)
Inlet nozzle with measuring device for air flow measurement
Motor with built-on PMIcontrol basic-M
Fitting position H (horizontal)
Rated voltage U_N : 3~ 380-480 V
Rated frequency f_N : 50/60 Hz
Motor protection: PTC resistor
Degree of protection: IP54
Thermal class: THCL155
Min. permitted medium temperature $t_{R(min)}$: -20 °C
Max. permitted medium temperature $t_{R(max)}$ at n_{max} : 40 °C
Approvals: CE, UKCA
Conformity: ErP 2015

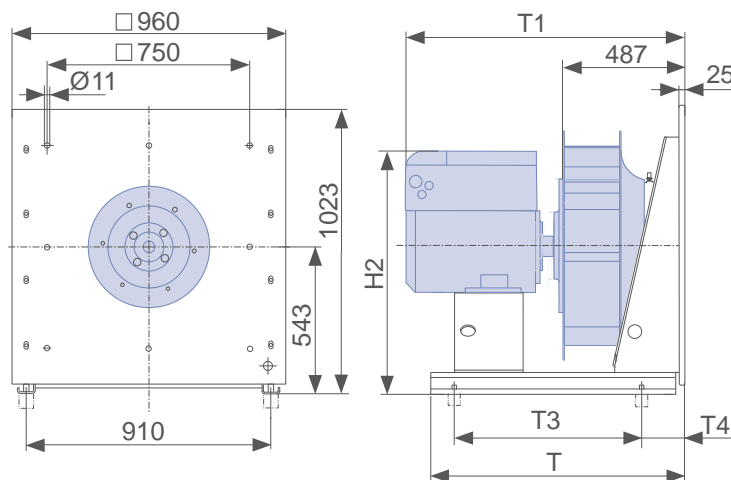
Nozzle coefficients

Standard k 620
With guard grille k_g 594

Characteristic curve



Dimensions mm



C-PMblue IE4										
Rated power P_N kW	Type	Article no.	Motor size	Motor efficiency η_{mot} %	Rated current I_N A	Rated speed n_N rpm	Maximum speed n_{max} rpm	Input power P_{ed} kW	Efficiency η_{statA} %	Efficiency grade N_{actual}^*
7.40	ER80C-6IN.H7.1R	115635/0P61	132M	91.0	12.5-10.0	1150	1160	7.80	67.9	69.0
14.80	ER80C-6IN.H7.1R	115636/0P61	132M	95.5	19.5-15.5	1450	1290	11.00	69.5	69.5
14.80	ER80C-6IN.H7.1R	115637/0P61	132M	95.5	27.0-21.0	1450	1470	16.00	71.2	70.8
17.70	ER80C-6IN.H7.1R	116041/0P61	132M	93.6	31.0-25.0	1560	1560	19.00	69.8	69.2
19.80	ER80C-6IN.H7.1R	116042/0P61	132M	93.5	35.0-28.0	1620	1620	21.00	69.7	69.0

* ErP 2015 setpoint N=62 | expected setpoint for next ErP level N=64

P_N kW	Type	Weight kg	T mm	T1 mm	T3 mm	T4 mm	H2 mm	Flexible connector	Guard grille	Vibration damper	
										Spring	Rubber
7.40	ER80C-6IN.H7.1R	189.00	885	948	735	115	807	00403350	00414162	02006450	00090157
14.80	ER80C-6IN.H7.1R	212.00	885	999	735	115	867	00403350	00414162	02006450	00090157
14.80	ER80C-6IN.H7.1R	212.00	885	999	735	115	867	00403350	00414162	02006450	02000407
17.70	ER80C-6IN.H7.1R	221.00	885	1010	735	115	866	00403350	00414162	02006450	02000407
19.80	ER80C-6IN.H7.1R	221.00	885	1010	735	115	866	00403350	00414162	02006450	02000407

Information

ZAbbluefin

Cpro

C

C-ATEX

Impellers with hub

System components

Control technology

General notes