

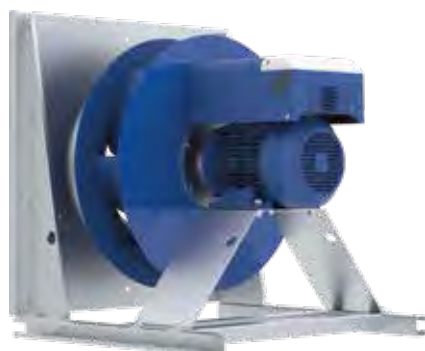
C plug fan – PMblue
 01/2021

Centrifugal fans main catalogue with IEC standard motor
 05/2021

Plug fan C

ER71C

Motor PMblue IE4



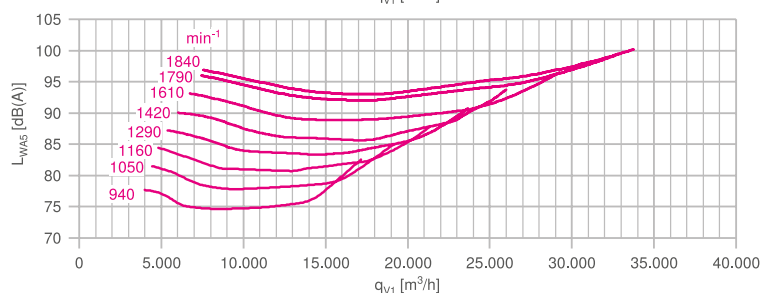
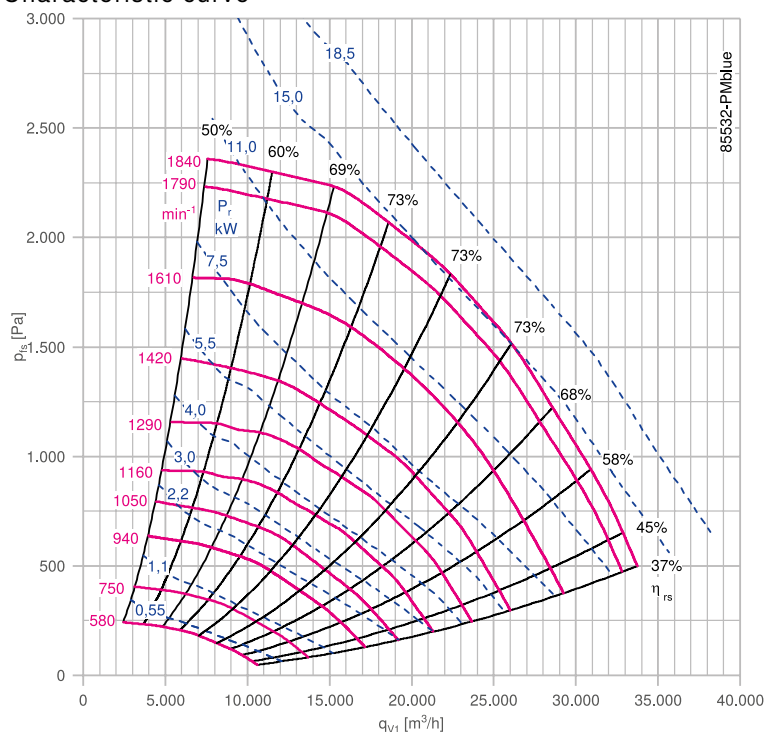
Description

Plug fan with high performance centrifugal impeller
 Impeller made of bright sheet metal powder-coated resistance class 1 (L-TI-0585) RAL 5002 (ultramarine blue)
 Inlet nozzle with measuring device for air flow measurement
 Motor with built-on PMIcontrol basic-M
 Fitting position H (horizontal)
 Rated voltage U_N : 3~ 380-480 V
 Rated frequency f_N : 50/60 Hz
 Motor protection: PTC resistor
 Degree of protection: IP54
 Thermal class: THCL155
 Min. permitted medium temperature $t_{R(min)}$: -20 °C
 Max. permitted medium temperature $t_{R(max)}$ at n_{max} : 40 °C
 Approvals: CE, UKCA
 Conformity: ErP 2015

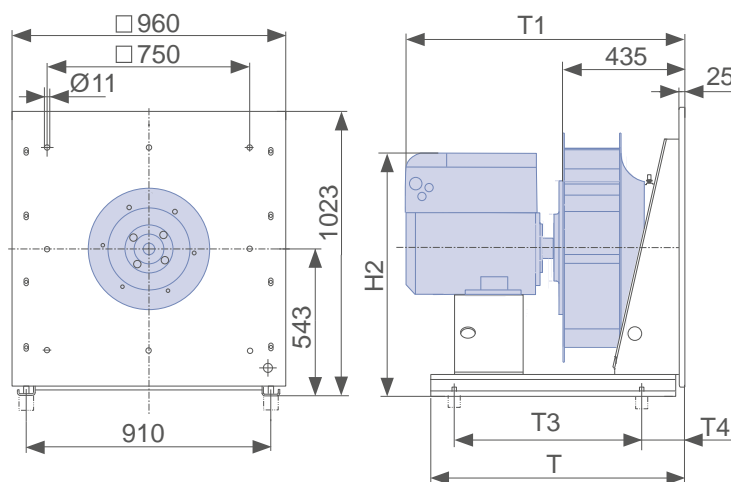
Nozzle coefficients

Standard k 490
 With guard grille k_g 470

Characteristic curve



Dimensions mm



L-KL-3805-K-05



C-PMblue IE4										
Rated power P_N kW	Type	Article no.	Motor size	Motor efficiency η_{mot} %	Rated current I_N A	Rated speed n_N rpm	Maximum speed n_{max} rpm	Input power P_{ed} kW	Efficiency η_{statA} %	Efficiency grade N_{actual}^*
5.30	ER71C-6IN.F7.1R	115630/0P61	112M	90.1	10.0-8.0	1270	1290	6.20	67.0	69.3
7.28	ER71C-6IN.F7.1R	115631/0P61	112M	90.5	13.5-10.5	1410	1420	8.20	67.3	68.3
10.64	ER71C-6IN.H7.1R	115632/0P61	132M	93.3	19.5-15.5	1600	1610	11.50	69.4	69.3
14.90	ER71C-6IN.H7.1R	115633/0P61	132M	93.8	27.0-21.0	1790	1790	16.00	69.8	69.4
16.70	ER71C-6IN.H7.1R	116040/0P61	132M	93.5	29.0-23.0	1850	1840	17.50	69.6	69.0

* ErP 2015 setpoint N=62 | expected setpoint for next ErP level N=64

P_N kW	Type	Weight kg	T mm	T1 mm	T3 mm	T4 mm	H2 mm	Flexible connector	Guard grille	Vibration damper	
										Spring	Rubber
5.30	ER71C-6IN.F7.1R	136.00	885	821	630	115	792	00403350	00411646	02006450	00090157
7.28	ER71C-6IN.F7.1R	140.00	885	821	630	115	792	00403350	00411646	02006450	00090157
10.64	ER71C-6IN.H7.1R	175.00	885	913	735	115	867	00403350	00411646	02006450	00090157
14.90	ER71C-6IN.H7.1R	179.00	885	913	735	115	867	00403350	00411646	02006450	02000407
16.70	ER71C-6IN.H7.1R	194.00	885	958	735	115	866	00403350	00411646	02006450	02000407

Information

ZAbbluefin

Cpro

C

C-ATEX

Impellers with hub

System components

Control technology

General notes

