

C plug fan – PMblue  
ER63C

Centrifugal fans main catalogue with IEC standard motor  
05/2022

# Plug fan C

ER63C

Motor PMblue IE4



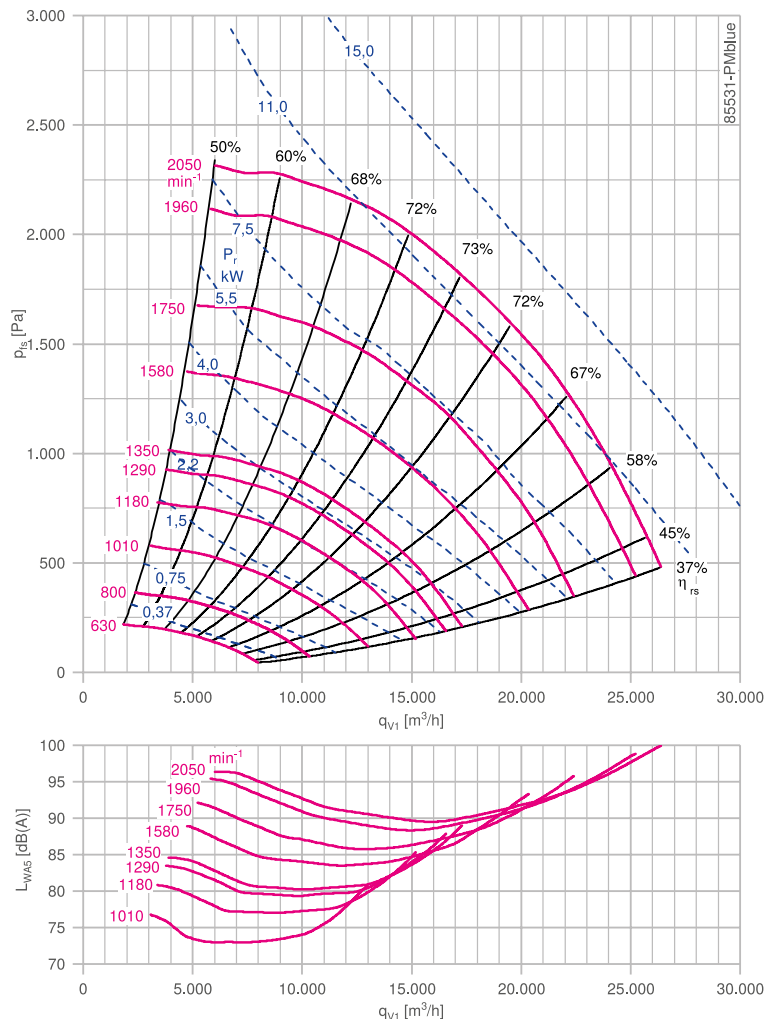
## Description

Plug fan with high performance centrifugal impeller  
Impeller made of bright sheet metal powder-coated resistance class 1 (L-TI-0585) RAL 5002 (ultramarine blue)  
Inlet nozzle with measuring device for air flow measurement  
Motor with built-on PMIcontrol basic-M  
Fitting position H (horizontal)  
Rated voltage  $U_N$ : 3~ 380-480 V  
Rated frequency  $f_N$ : 50/60 Hz  
Motor protection: PTC resistor  
Degree of protection: IP54  
Thermal class: THCL155  
Min. permitted medium temperature  $t_{R(min)}$ : -20 °C  
Max. permitted medium temperature  $t_{R(max)}$  at  $n_{max}$ : 40 °C  
Approvals: CE, UKCA  
Conformity: ErP 2015

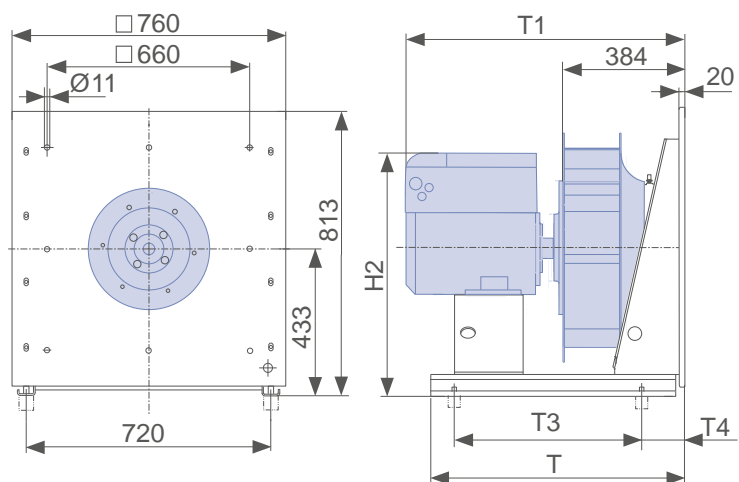
## Nozzle coefficients

Standard $k$	381
With guard grille $k_g$	365
With inlet guide grille $k_{Zflow}$	373

## Characteristic curve



## Dimensions mm



L-KL-3805-K-04



C-PMblue IE4										
Rated power $P_N$ kW	Type	Article no.	Motor size	Motor efficiency $\eta_{mot}$ %	Rated current $I_N$ A	Rated speed $n_N$ rpm	Maximum speed $n_{max}$ rpm	Input power $P_{ed}$ kW	Efficiency $\eta_{statA}$ %	Efficiency grade $N_{actual}^*$
3.00	<a href="#">ER63C-8IN.C7.1R</a>	<a href="#">116116/0P61</a>	090S/L	89.1	4.4-3.5	1500	1180	2.70	66.4	72.5
4.00	<a href="#">ER63C-6IN.F7.1R</a>	<a href="#">116117/0P61</a>	112M	89.9	6.4-5.2	1500	1350	3.80	66.9	71.3
5.26	<a href="#">ER63C-6IN.F7.1R</a>	<a href="#">115626/0P61</a>	112M	92.0	10.0-8.0	1550	1580	6.20	68.5	70.8
7.32	<a href="#">ER63C-6IN.F7.1R</a>	<a href="#">115627/0P61</a>	112M	92.5	13.5-10.5	1730	1750	8.40	68.9	69.8
10.80	<a href="#">ER63C-6IN.F7.1R</a>	<a href="#">115628/0P61</a>	112M	93.0	20.0-15.5	1970	1960	12.00	69.3	69.2
12.34	<a href="#">ER63C-6IN.H7.1R</a>	<a href="#">115629/0P61</a>	132M	92.1	23.0-18.0	2060	2050	13.50	68.6	68.3

\* ErP 2015 setpoint N=62 | expected setpoint for next ErP level N=64

$P_N$ kW	Type	Weight kg	T mm	T1 mm	T3 mm	T4 mm	H2 mm	Flexible connector	Guard grille	Vibration damper		Inlet guide grille ZAflow
										Spring	Rubber	
3.00	<a href="#">ER63C-8IN.C7.1R</a>	83.00	720	704	473	115	645	00405986	00411645	02021198	00090144	00415086
4.00	<a href="#">ER63C-6IN.F7.1R</a>	95.00	720	748	525	115	669	00405986	00411645	02021199	02000124	00415086
5.26	<a href="#">ER63C-6IN.F7.1R</a>	102.00	720	770	578	115	682	00405986	00411645	02021199	02000124	00415086
7.32	<a href="#">ER63C-6IN.F7.1R</a>	105.00	720	770	578	115	682	00405986	00411645	02021199	02000124	00415086
10.80	<a href="#">ER63C-6IN.F7.1R</a>	122.00	720	849	578	115	742	00405986	00411645	02018876	02020907	00415086
12.34	<a href="#">ER63C-6IN.H7.1R</a>	145.00	880	862	735	115	757	00405986	00411645	02018876	02020907	00415086

Information

ZAbuefin

Cpro

C

C-ATEX

Impellers with hub

System components

Control technology

General notes