

C plug fan - PMblue  
ER56C

Centrifugal fans main catalogue with IEC standard motor  
05/2022

# Plug fan C

ER56C

Motor PMblue IE4



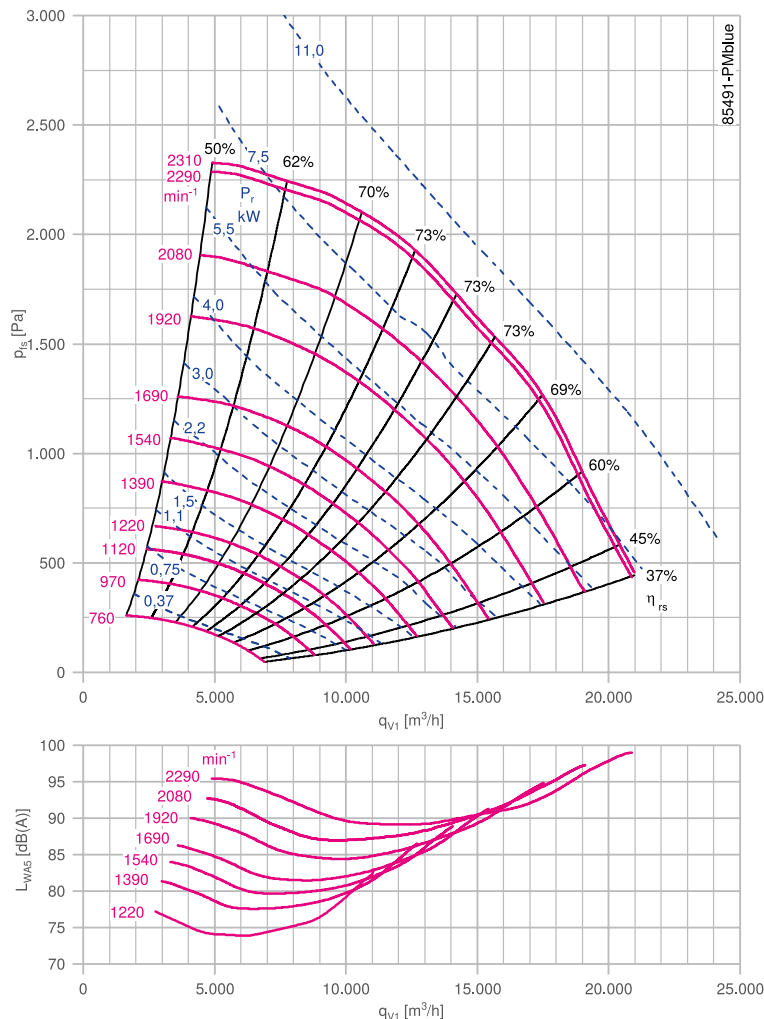
## Description

Plug fan with high performance centrifugal impeller  
 Impeller made of bright sheet metal powder-coated resistance class 1 (L-TI-0585) RAL 5002 (ultramarine blue)  
 Inlet nozzle with measuring device for air flow measurement  
 Motor with built-on PMIcontrol basic-M  
 Fitting position H (horizontal)  
 Rated voltage  $U_N$ : 3~ 380-480 V  
 Rated frequency  $f_N$ : 50/60 Hz  
 Motor protection: PTC resistor  
 Degree of protection: IP54  
 Thermal class: THCL155  
 Min. permitted medium temperature  $t_{R(min)}$ : -20 °C  
 Max. permitted medium temperature  $t_{R(max)}$  at  $n_{max}$ : 40 °C  
 Approvals: CE, UKCA  
 Conformity: ErP 2015

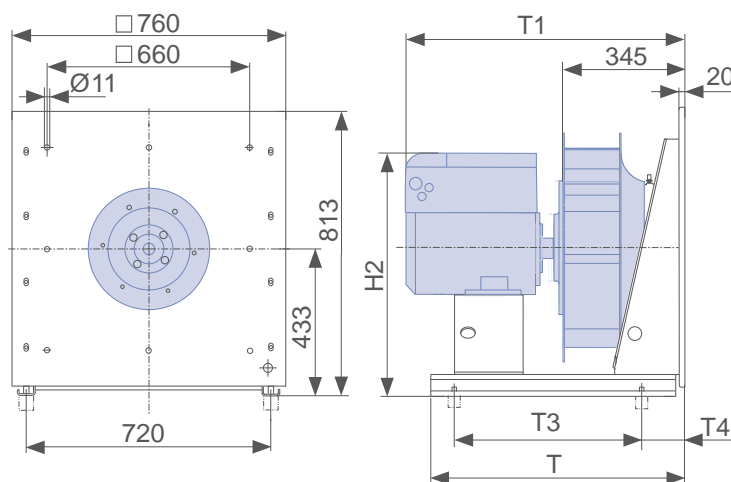
## Nozzle coefficients

Standard k	308
With guard grille $k_g$	295
With inlet guide grille $k_{Zallow}$	302

Characteristic curve



Dimensions mm



C-PMblue IE4										
Rated power $P_N$ kW	Type	Article no.	Motor size	Motor efficiency $\eta_{mot}$ %	Rated current $I_N$ A	Rated speed $n_N$ rpm	Maximum speed $n_{max}$ rpm	Input power $P_{ed}$ kW	Efficiency $\eta_{statA}$ %	Efficiency grade $N_{actual}^*$
3.00	<a href="#">ER56C-8IN.C7.1R</a>	<a href="#">116113/0P61</a>	090S/L	89.1	3.8-3.0	1500	1390	2.30	66.6	73.2
3.00	<a href="#">ER56C-8IN.C7.1R</a>	<a href="#">116114/0P61</a>	090S/L	89.1	5.2-4.0	1500	1540	3.20	66.6	71.8
4.00	<a href="#">ER56C-6IN.F7.1R</a>	<a href="#">116115/0P61</a>	112M	89.9	6.6-5.2	1500	1690	4.00	67.2	71.2
5.45	<a href="#">ER56C-6IN.F7.1R</a>	<a href="#">115623/0P61</a>	112M	91.8	9.8-7.8	1900	1920	6.00	68.6	71.0
7.37	<a href="#">ER56C-6IN.F7.1R</a>	<a href="#">115624/0P61</a>	112M	92.0	12.5-10.0	2100	2080	7.80	68.8	70.0
9.80	<a href="#">ER56C-6IN.F7.1R</a>	<a href="#">115625/0P61</a>	112M	92.5	17.5-14.0	2310	2290	10.00	69.1	69.2

\* ErP 2015 setpoint N=62 | expected setpoint for next ErP level N=64

$P_N$ kW	Type	Weight kg	T mm	T1 mm	T3 mm	T4 mm	H2 mm	Flexible connector	Guard grille	Vibration damper		Inlet guide grille ZAflow
										Spring	Rubber	
3.00	<a href="#">ER56C-8IN.C7.1R</a>	68.00	720	654	420	115	645	00405986	00411644	02021198	00090144	00415085
3.00	<a href="#">ER56C-8IN.C7.1R</a>	68.00	720	654	420	115	645	00405986	00411644	02021199	00090144	00415085
4.00	<a href="#">ER56C-6IN.F7.1R</a>	81.00	720	708	473	115	669	00405986	00411644	02021199	02000124	00415085
5.45	<a href="#">ER56C-6IN.F7.1R</a>	87.00	720	730	525	115	682	00405986	00411644	02021199	02000124	00415085
7.37	<a href="#">ER56C-6IN.F7.1R</a>	87.00	720	730	525	115	682	00405986	00411644	02021199	02000124	00415085
9.80	<a href="#">ER56C-6IN.F7.1R</a>	103.00	720	809	578	115	742	00405986	00411644	02018876	02020907	00415085

Information

ZAbuefin

Cpro

C

C-ATEX

Impellers with hub

System components

Control technology

General notes