

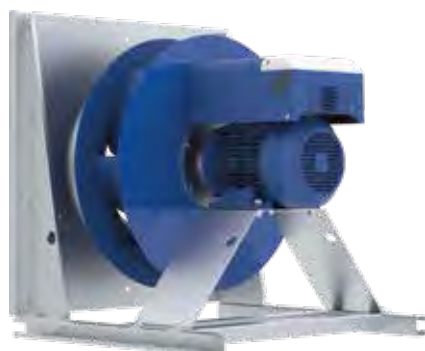
C plug fan – PMblue  
ER50C

Centrifugal fans main catalogue with IEC standard motor  
05/2022

# Plug fan C

ER50C

Motor PMblue IE4



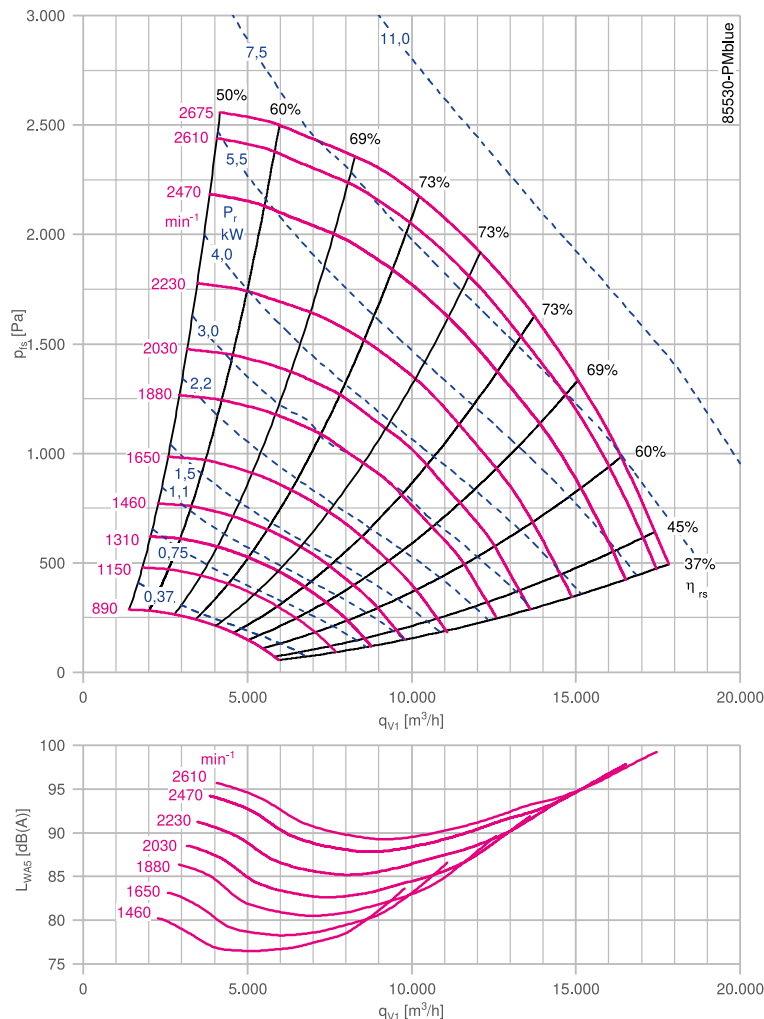
## Description

Plug fan with high performance centrifugal impeller  
 Impeller made of bright sheet metal powder-coated resistance class 1 (L-TI-0585) RAL 5002 (ultramarine blue)  
 Inlet nozzle with measuring device for air flow measurement  
 Motor with built-on PMIcontrol basic-M  
 Fitting position H (horizontal)  
 Rated voltage  $U_N$ : 3~ 380-480 V  
 Rated frequency  $f_N$ : 50/60 Hz  
 Motor protection: PTC resistor  
 Degree of protection: IP54  
 Thermal class: THCL155  
 Min. permitted medium temperature  $t_{R(min)}$ : -20 °C  
 Max. permitted medium temperature  $t_{R(max)}$  at  $n_{max}$ : 40 °C  
 Approvals: CE, UKCA  
 Conformity: ErP 2015

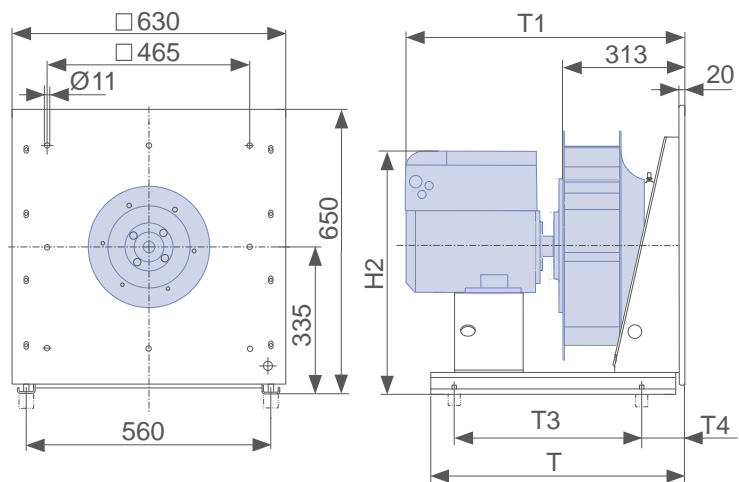
## Nozzle coefficients

Standard $k$	252
With guard grille $k_g$	242
With inlet guide grille $k_{Zallow}$	247

Characteristic curve



Dimensions mm



L-KL-3805-K-02



C-PMblue IE4										
Rated power $P_N$ kW	Type	Article no.	Motor size	Motor efficiency $\eta_{mot}$ %	Rated current $I_N$ A	Rated speed $n_N$ rpm	Maximum speed $n_{max}$ rpm	Input power $P_{ed}$ kW	Efficiency $\eta_{statA}$ %	Efficiency grade $N_{actual}^*$
3.00	<a href="#">ER50C-8IN.C7.1R</a>	<a href="#">116110/0P61</a>	090S/L	89.1	3.9-3.1	1800	1650	2.30	66.8	73.4
4.00	<a href="#">ER50C-8IN.C7.1R</a>	<a href="#">116112/0P61</a>	090S/L	89.9	5.6-4.4	1800	1880	3.40	67.4	72.3
5.37	<a href="#">ER50C-6IN.F7.1R</a>	<a href="#">115620/0P61</a>	112M	91.8	9.4-7.4	2250	2230	5.80	68.9	71.5
7.36	<a href="#">ER50C-6IN.F7.1R</a>	<a href="#">115621/0P61</a>	112M	92.1	13.0-10.5	2500	2470	7.80	69.1	70.3
9.00	<a href="#">ER50C-6IN.F7.1R</a>	<a href="#">115622/0P61</a>	112M	92.0	16.0-12.5	2675	2610	9.40	69.0	69.5

\* ErP 2015 setpoint N=62 | expected setpoint for next ErP level N=64

$P_N$ kW	Type	Weight kg	T mm	T1 mm	T3 mm	T4 mm	H2 mm	Flexible connector	Guard grille	Vibration damper		Inlet guide grille ZAflow
										Spring	Rubber	
3.00	<a href="#">ER50C-8IN.C7.1R</a>	56.00	728	644	420	115	547	00406515	00411575	02021197	00090144	00415085
4.00	<a href="#">ER50C-8IN.C7.1R</a>	60.00	728	638	368	115	547	00406515	00411575	02021197	02000124	00415085
5.37	<a href="#">ER50C-6IN.F7.1R</a>	73.00	728	698	525	115	584	00406515	00411575	02021198	02000124	00415085
7.36	<a href="#">ER50C-6IN.F7.1R</a>	76.00	728	698	525	115	584	00406515	00411575	02021198	02000124	00415085
9.00	<a href="#">ER50C-6IN.F7.1R</a>	89.00	728	777	578	115	644	00406515	00411575	02021198	02000124	00415085

Information

ZAbluefin

Cpro

C

C-ATEX

Impellers with hub

System components

Control technology

General notes