

C plug fan – PMblue
ER45C

Centrifugal fans main catalogue with IEC standard motor
05/2022

Plug fan C

ER45C

Motor PMblue IE4



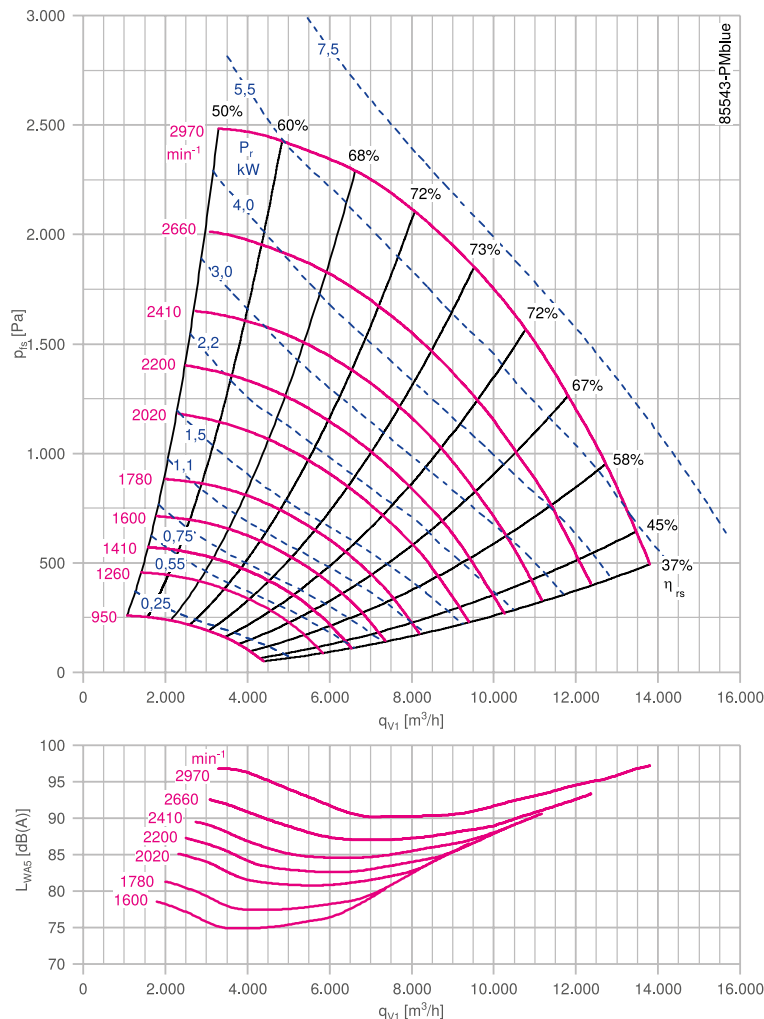
Description

Plug fan with high performance centrifugal impeller
Impeller made of bright sheet metal powder-coated resistance class 1 (L-TI-0585) RAL 5002 (ultramarine blue)
Inlet nozzle with measuring device for air flow measurement
Motor with built-on PMIcontrol basic-M
Fitting position H (horizontal)
Rated voltage U_N : 3~ 380-480 V
Rated frequency f_N : 50/60 Hz
Motor protection: PTC resistor
Degree of protection: IP54
Thermal class: THCL155
Min. permitted medium temperature $t_{R(min)}$: -20 °C
Max. permitted medium temperature $t_{R(max)}$ at n_{max} : 40 °C
Approvals: CE, UKCA
Conformity: ErP 2015

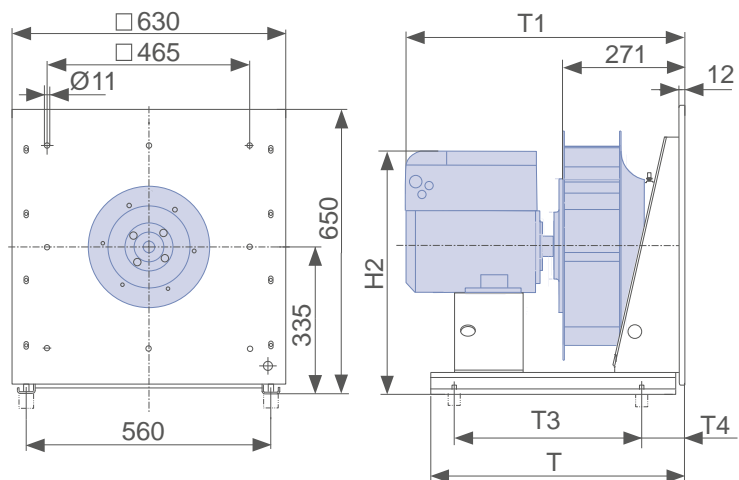
Nozzle coefficients

Standard k	197
With guard grille k_g	189
With inlet guide grille k_{Zallow}	193

Characteristic curve



Dimensions mm



C-PMblue IE4											
Rated power	Type	Article no.	Motor size	Motor efficiency	Rated current	Rated speed	Maximum speed	Input power	Efficiency	Efficiency grade	
P_N kW				η_{mot} %	I_N A	n_N rpm	n_{max} rpm	P_{ed} kW	η_{statA} %	N_{actual}^*	
2.20	ER45C-8IN.C7.1R	116107/0P61	090S/L	88.1	3.9-3.1	1800	2020	2.40	66.3	72.8	
5.30	ER45C-8IN.D7.1R	115618/0P61	090L	92.3	8.8-7.0	2730	2660	5.40	69.5	72.4	
5.50	ER45C-8IN.C7.1R	116109/0P61	090S/L	89.7	5.4-4.4	3000	2200	3.00	68.9	74.2	
6.91	ER45C-6IN.F7.1R	115619/0P61	112M	92.8	12.5-10.0	3000	2970	7.60	69.8	71.3	

* ErP 2015 setpoint N=62 | expected setpoint for next ErP level N=64

P_N kW	Type	Weight kg	T mm	T1 mm	T3 mm	T4 mm	H2 mm	Flexible connector	Guard grille	Vibration damper		Inlet guide grille ZAflow
										Spring	Rubber	
2.20	ER45C-8IN.C7.1R	49.00	570	596	315	115	547	00406515	00411574	02021197	02000124	00415084
5.30	ER45C-8IN.D7.1R	56.00	570	652	420	115	561	00406515	00411574	02021198	02000124	00415084
5.50	ER45C-8IN.C7.1R	54.00	570	595	368	115	548	00406515	00411574	02021198	02000124	00415084
6.91	ER45C-6IN.F7.1R	68.00	720	657	473	115	584	00406515	00411574	02021198	02000124	00415084

Information

ZAbluefin

Cpro

C

C-ATEX

Impellers with hub

System components

Control technology

General notes