

C plug fan - PMblue  
ER40C

Centrifugal fans main catalogue with IEC standard motor  
05/2023

# Plug fan C

ER40C

Motor PMblue IE4



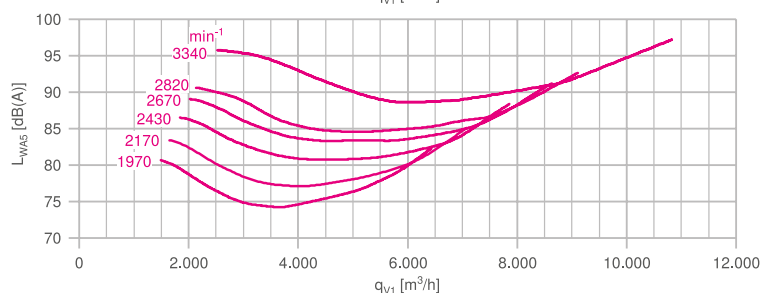
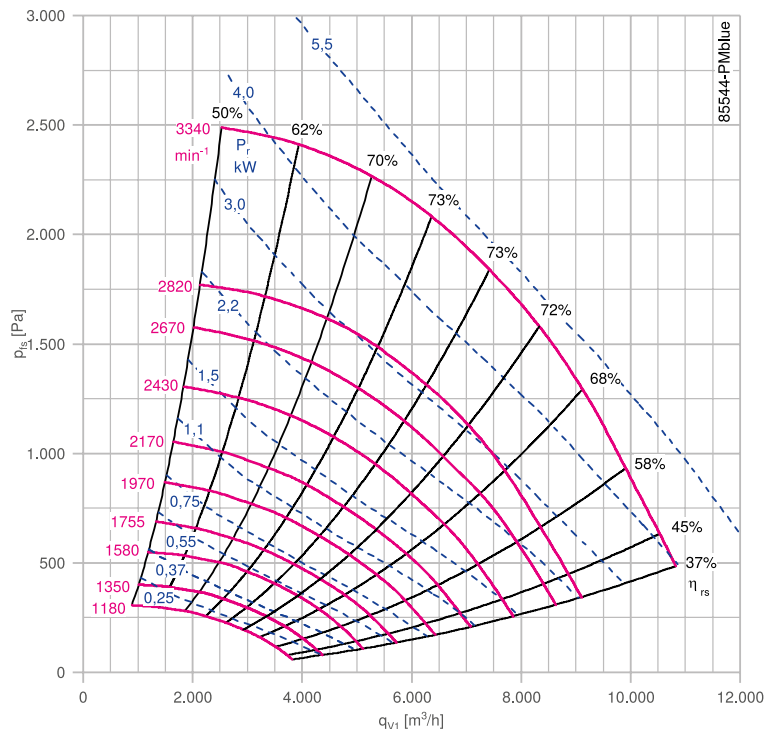
## Description

Plug fan with high performance centrifugal impeller  
Impeller made of bright sheet metal powder-coated resistance class 1 (L-TI-0585) RAL 5002 (ultramarine blue)  
Inlet nozzle with measuring device for air flow measurement  
Motor with built-on PMIcontrol basic-M  
Fitting position H (horizontal)  
Rated voltage  $U_N$ : 3~ 380-480 V  
Rated frequency  $f_N$ : 50/60 Hz  
Motor protection: PTC resistor  
Degree of protection: IP54  
Thermal class: THCL155  
Min. permitted medium temperature  $t_{R(min)}$ : -20 °C  
Max. permitted medium temperature  $t_{R(max)}$  at  $n_{max}$ : 40 °C  
Approvals: CE, UKCA  
Conformity: ErP 2015

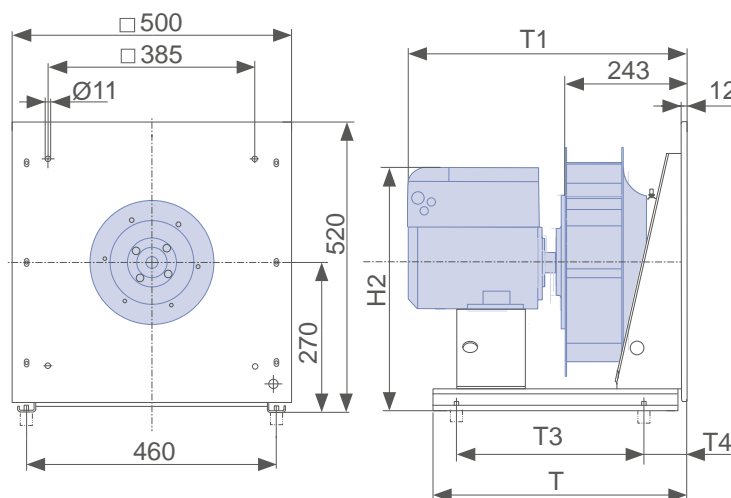
## Nozzle coefficients

Standard k	154
With guard grille $k_g$	148
With inlet guide grille $k_{Zallow}$	151

## Characteristic curve



## Dimensions mm



L-KL-3804-K-17



C-PMblue IE4										
Rated power $P_N$ kW	Type	Article no.	Motor size	Motor efficiency $\eta_{mot}$ %	Rated current $I_N$ A	Rated speed $n_N$ rpm	Maximum speed $n_{max}$ rpm	Input power $P_{ed}$ kW	Efficiency $\eta_{statA}$ %	Efficiency grade $N_{actual}^*$
3.00	<a href="#">ER40C-8IN.C7.1R</a>	<a href="#">116104/0P61</a>	090S/L	87.7	3.7-2.9	3000	2430	2.20	65.6	72.3
4.00	<a href="#">ER40C-8IN.C7.1R</a>	<a href="#">116105/0P61</a>	090S/L	88.7	4.8-3.8	3000	2670	3.00	66.4	71.9
4.00	<a href="#">ER40C-8IN.C7.1R</a>	<a href="#">116106/0P61</a>	090S/L	88.7	5.8-4.6	3000	2820	3.50	66.4	71.1
5.30	<a href="#">ER40C-8IN.D7.1R</a>	<a href="#">115617/0P61</a>	090L	92.2	9.2-7.2	3300	3340	5.80	69.0	71.6

\* ErP 2015 setpoint N=62 | expected setpoint for next ErP level N=64

$P_N$ kW	Type	Weight kg	T mm	T1 mm	T3 mm	T4 mm	H2 mm	Flexible connector	Guard grille	Vibration damper		Inlet guide grille ZAflow
										Spring	Rubber	
3.00	<a href="#">ER40C-8IN.C7.1R</a>	38.00	570	562	315	115	483	00406514	00411573	02021197	00090144	00415084
4.00	<a href="#">ER40C-8IN.C7.1R</a>	40.00	570	563	368	115	482	00406514	00411573	02021197	00090144	00415084
4.00	<a href="#">ER40C-8IN.C7.1R</a>	40.00	570	563	368	115	482	00406514	00411573	02021197	00090144	00415084
5.30	<a href="#">ER40C-8IN.D7.1R</a>	46.00	570	618	368	115	496	00406514	00411573	02021197	00090144	00415084

Information

ZAbuefin

Cpro

C

C-ATEX

Impellers with hub

System components

Control technology

General notes

