

C plug fan – PMblue
ER35C

Centrifugal fans main catalogue with IEC standard motor
01/2023

Plug fan C

ER35C

Motor PMblue IE4



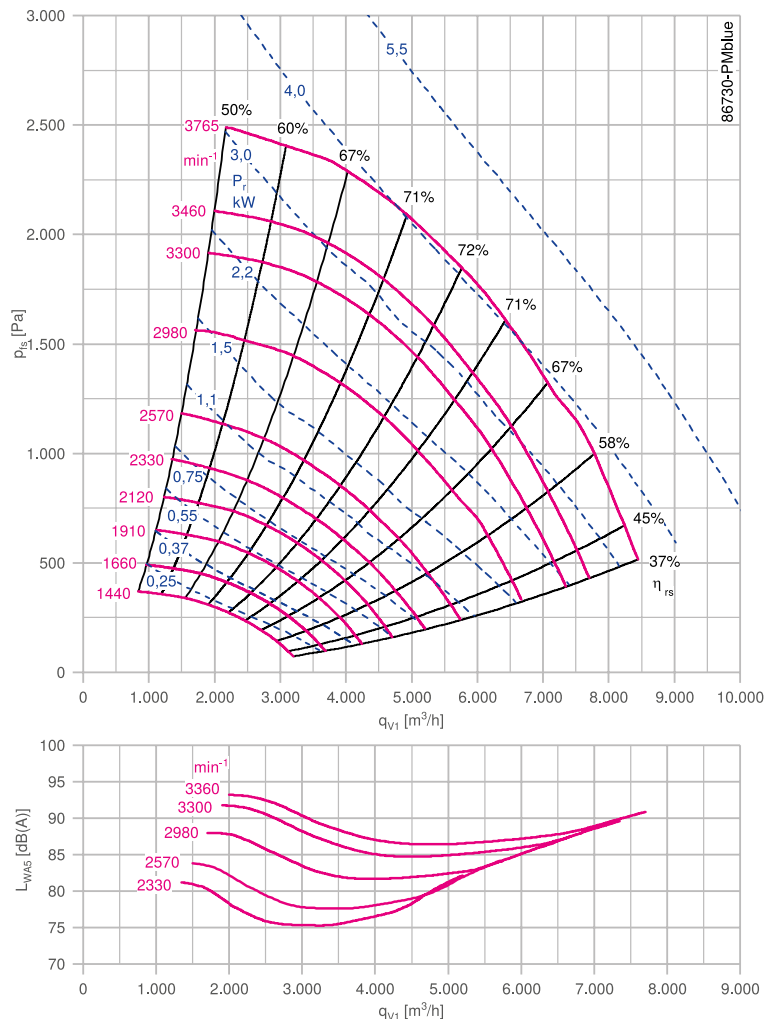
Description

Plug fan with high performance centrifugal impeller
 Impeller made of bright sheet metal powder-coated resistance class 1 (L-TI-0585) RAL 5002 (ultramarine blue)
 Inlet nozzle with measuring device for air flow measurement
 Motor with built-on PMIcontrol basic-M
 Fitting position H (horizontal)
 Rated voltage U_N : 3~ 380-480 V
 Rated frequency f_N : 50/60 Hz
 Motor protection: PTC resistor
 Degree of protection: IP54
 Thermal class: THCL155
 Min. permitted medium temperature $t_{R(min)}$: -20 °C
 Max. permitted medium temperature $t_{R(max)}$ at n_{max} : 40 °C
 Approvals: CE, UKCA
 Conformity: ErP 2015

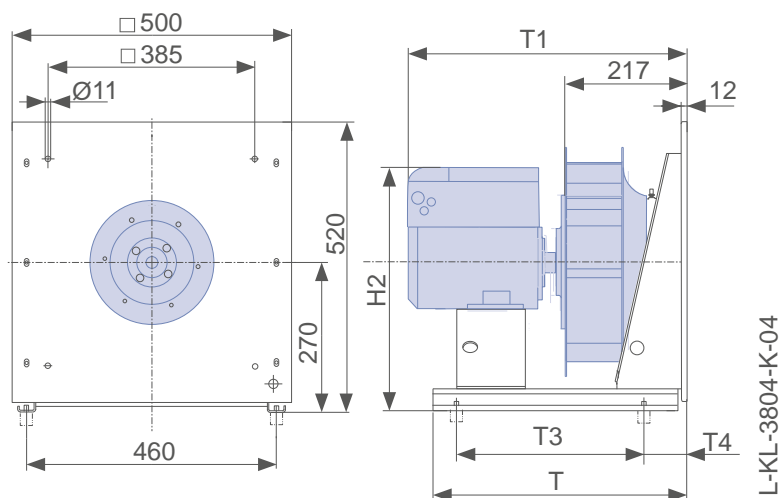
Nozzle coefficients

Standard k 121
 With guard grille k_g 116
 With inlet guide grille k_{Zallow} 119

Characteristic curve



Dimensions mm



C-PMblue IE4

Rated power P_N kW	Type	Article no.	Motor size	Motor efficiency η_{mot} %	Rated current I_N A	Rated speed n_N rpm	Maximum speed n_{max} rpm	Input power P_{ed} kW	Efficiency η_{statA} %	Efficiency grade N_{actual}^*
2.20	ER35C-6IN.A7.1R	116101/0P61	071M	86.4	4.0-3.1	3000	3000	2.40	63.6	70.0
4.00	ER35C-8IN.C7.1R	116102/0P61	090S/L	88.7	5.0-4.0	3600	3300	3.10	65.3	70.5
4.00	ER35C-8IN.C7.1R	116103/0P61	090S/L	88.7	6.0-4.8	3600	3460	3.60	65.3	69.8

* ErP 2015 setpoint N=62 | expected setpoint for next ErP level N=64

P_N kW	Type	Weight kg	T mm	T1 mm	T3 mm	T4 mm	H2 mm	Flexible connector	Guard grille	Vibration damper		Inlet guide grille ZAflow
										Spring	Rubber	
2.20	ER35C-6IN.A7.1R	30.00	570	536	263	115	463	00406514	00411572	02021197	00090144	00415083
4.00	ER35C-8IN.C7.1R	37.00	570	536	315	115	483	00406514	00411572	02021197	02001048	00415083
4.00	ER35C-8IN.C7.1R	37.00	570	536	315	115	483	00406514	00411572	02021197	02001048	00415083



Information

ZAbbluefin

Cpro

C

C-ATEX

Impellers with hub

System components

Control technology

General notes