

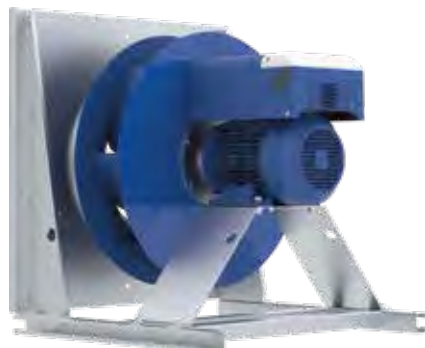
C plug fan – PMblue
85527-PMblue

Centrifugal fans main catalogue with IEC standard motor
01/2022

Plug fan C

ER31C

Motor PMblue IE4



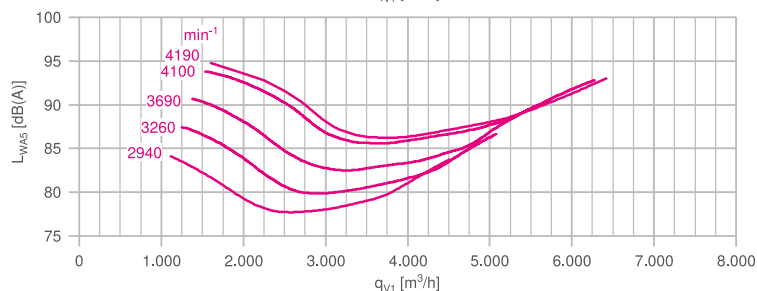
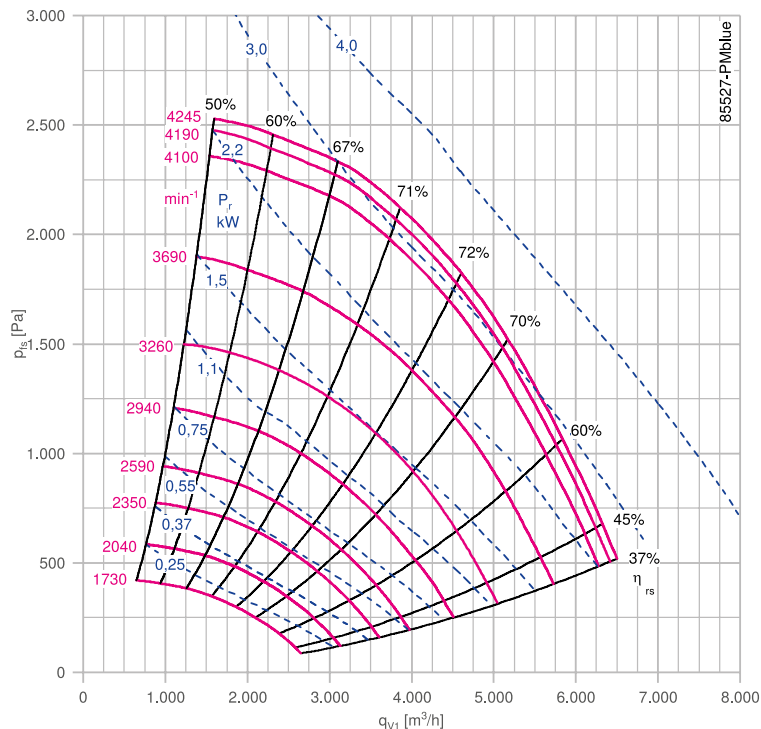
Description

Plug fan with high performance centrifugal impeller
 Impeller made of bright sheet metal powder-coated resistance class 1 (L-TI-0585) RAL 5002 (ultramarine blue)
 Inlet nozzle with measuring device for air flow measurement
 Motor with built-on PMIcontrol basic-M
 Fitting position H (horizontal)
 Rated voltage U_N : 3~ 380-480 V
 Rated frequency f_N : 50/60 Hz
 Motor protection: PTC resistor
 Degree of protection: IP54
 Thermal class: THCL155
 Min. permitted medium temperature $t_{R(min)}$: -20 °C
 Max. permitted medium temperature $t_{R(max)}$ at n_{max} : 40 °C
 Approvals: CE, UKCA
 Conformity: ErP 2015

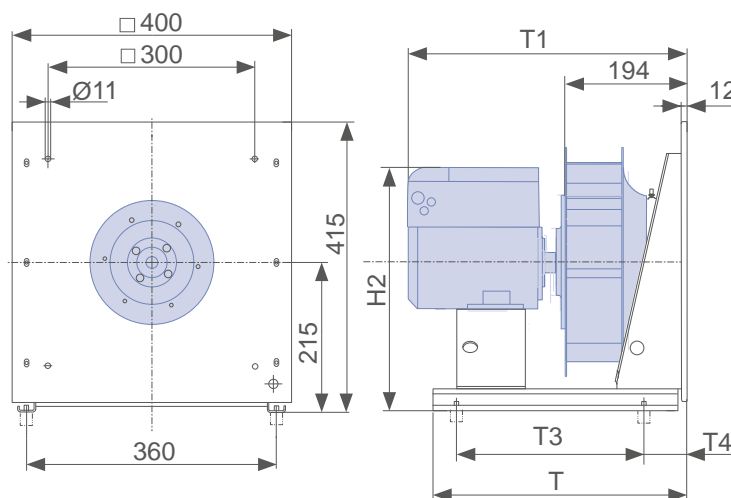
Nozzle coefficients

Standard k 95
 With guard grille k_g 91
 With inlet guide grille k_{Zflow} 93

Characteristic curve



Dimensions mm



L-KL-3804-K-03



C-PMblue IE4											
Rated power	Type	Article no.	Motor size	Motor efficiency	Rated current	Rated speed	Maximum speed	Input power	Efficiency	Efficiency grade	
P_N kW				η_{mot} %	I_N A	n_N rpm	n_{max} rpm	P_{ed} kW	η_{statA} %	N_{actual}^*	
2.20	ER31C-6IN.A7.1R	116098/0P61	071M	86.4	4.0-3.2	3600	3690	2.50	63.8	70.1	
4.00	ER31C-8IN.C7.1R	116100/0P61	090S/L	88.7	5.6-4.4	4500	4100	3.30	65.5	70.4	

* ErP 2015 setpoint N=62 | expected setpoint for next ErP level N=64

P_N kW	Type	Weight kg	T mm	T1 mm	T3 mm	T4 mm	H2 mm	Flexible connector	Guard grille	Vibration damper		Inlet guide grille ZAflow
										Spring	Rubber	
2.20	ER31C-6IN.A7.1R	26.00	460	498	368	60	408	00406513	00411571	02021196	02001048	00415083
4.00	ER31C-8IN.C7.1R	31.00	570	513	420	60	428	00406513	00411571	02021196	00090144	00415083

Information

ZAbbluefin

Cpro

C

C-ATEX

Impellers with hub

System components

Control technology

General notes

