

C plug fan - PMblue  
ER28C

Centrifugal fans main catalogue with IEC standard motor  
05/2023

# Plug fan C

ER28C

Motor PMblue IE4



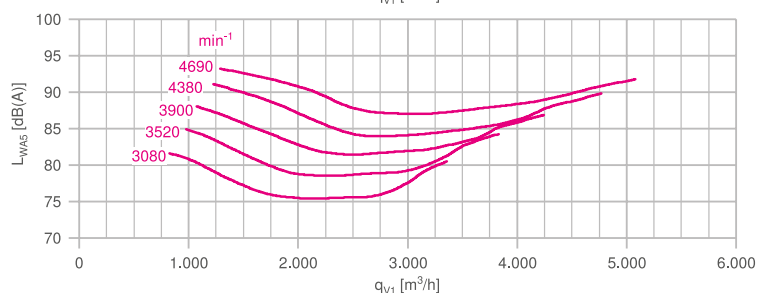
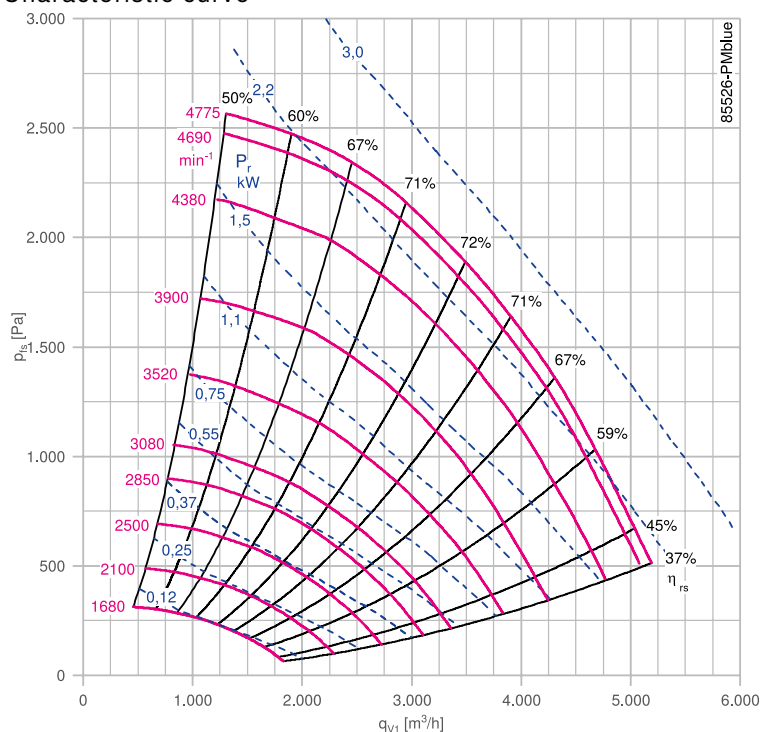
## Description

Plug fan with high performance centrifugal impeller  
 Impeller made of bright sheet metal powder-coated resistance class 1 (L-TI-0585) RAL 5002 (ultramarine blue)  
 Inlet nozzle with measuring device for air flow measurement  
 Motor with built-on PMIcontrol basic-M  
 Fitting position H (horizontal)  
 Rated voltage  $U_N$ : 3~ 380-480 V  
 Rated frequency  $f_N$ : 50/60 Hz  
 Motor protection: PTC resistor  
 Degree of protection: IP54  
 Thermal class: THCL155  
 Min. permitted medium temperature  $t_{R(min)}$ : -20 °C  
 Max. permitted medium temperature  $t_{R(max)}$  at  $n_{max}$ : 40 °C  
 Approvals: CE, UKCA  
 Conformity: ErP 2015

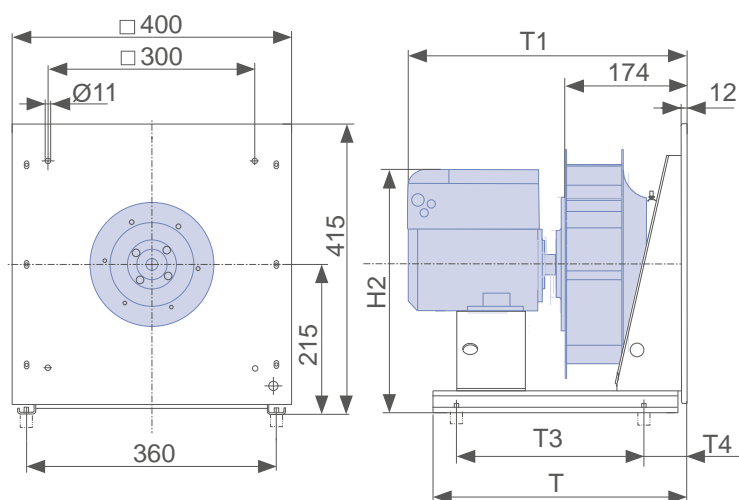
## Nozzle coefficients

|                                      |    |
|--------------------------------------|----|
| Standard k                           | 75 |
| With guard grille $k_g$              | 72 |
| With inlet guide grille $k_{Zallow}$ | 74 |

Characteristic curve



Dimensions mm



L-KL-3804-K-02



| C-PMblue IE4 |                                 |                             |            |                   |               |              |                  |                |                     |                  |
|--------------|---------------------------------|-----------------------------|------------|-------------------|---------------|--------------|------------------|----------------|---------------------|------------------|
| Rated power  | Type                            | Article no.                 | Motor size | Motor efficiency  | Rated current | Rated speed  | Maximum speed    | Input power    | Efficiency          | Efficiency grade |
| $P_N$<br>kW  |                                 |                             |            | $\eta_{mot}$<br>% | $I_N$<br>A    | $n_N$<br>rpm | $n_{max}$<br>rpm | $P_{ed}$<br>kW | $\eta_{statA}$<br>% | $N_{actual}^*$   |
| 2.20         | <a href="#">ER28C-6IN.A7.1R</a> | <a href="#">116096/0P61</a> | 071M       | 86.4              | 3.8-3.0       | 4500         | 4380             | 2.30           | 63.6                | 70.3             |
| 3.00         | <a href="#">ER28C-6IN.A7.1R</a> | <a href="#">116097/0P61</a> | 071M       | 87.7              | 4.8-3.8       | 4500         | 4690             | 2.90           | 64.6                | 70.4             |

\* ErP 2015 setpoint N=62 | expected setpoint for next ErP level N=64

| $P_N$<br>kW | Type                            | Weight<br>kg | T<br>mm | T1<br>mm | T3<br>mm | T4<br>mm | H2<br>mm | Flexible connector | Guard grille | Vibration damper |          | Inlet guide grille<br>ZAflow |
|-------------|---------------------------------|--------------|---------|----------|----------|----------|----------|--------------------|--------------|------------------|----------|------------------------------|
|             |                                 |              |         |          |          |          |          |                    |              | Spring           | Rubber   |                              |
| 2.20        | <a href="#">ER28C-6IN.A7.1R</a> | 23.00        | 460     | 493      | 368      | 60       | 408      | 00406513           | 00411643     | 02021196         | 02001048 | 00415082                     |
| 3.00        | <a href="#">ER28C-6IN.A7.1R</a> | 24.00        | 460     | 493      | 368      | 60       | 408      | 00406513           | 00411643     | 02021196         | 02001048 | 00415082                     |

Information

ZAbluefin

Cpro

C

C-ATEX

Impellers with hub

System components

Control technology

General notes

