

C plug fan – PMblue  
ER25C

Centrifugal fans main catalogue with IEC standard motor  
05/2022

# Plug fan C

ER25C

Motor PMblue IE4



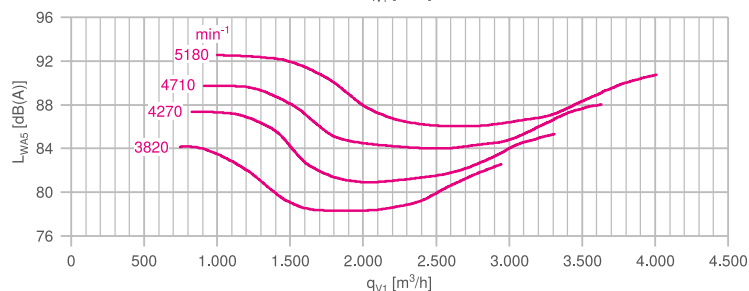
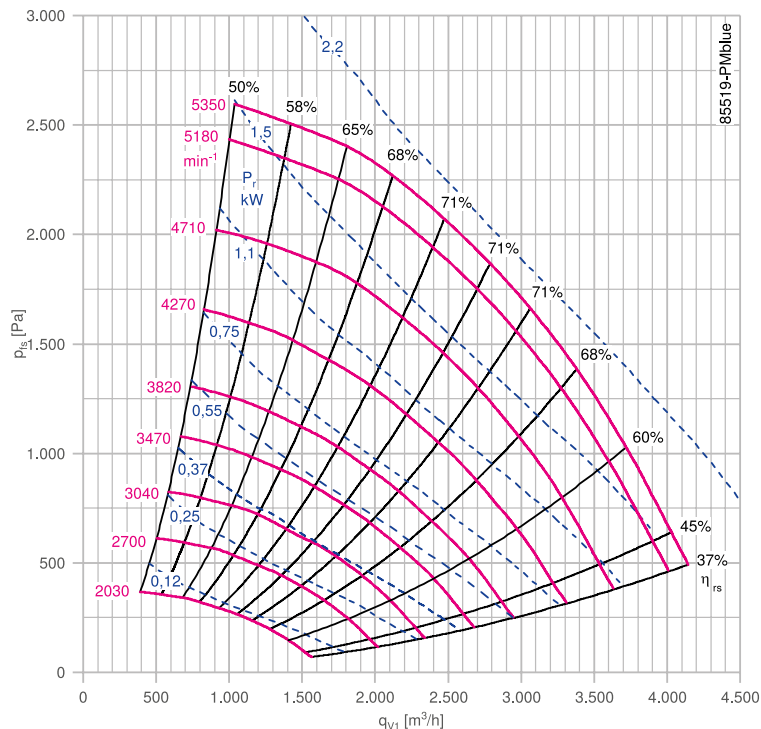
## Description

Plug fan with high performance centrifugal impeller  
Impeller made of bright sheet metal powder-coated resistance class 1 (L-TI-0585) RAL 5002 (ultramarine blue)  
Inlet nozzle with measuring device for air flow measurement  
Motor with built-on PMcontrol basic-M  
Fitting position H (horizontal)  
Rated voltage  $U_N$ : 3~ 380-480 V  
Rated frequency  $f_N$ : 50/60 Hz  
Motor protection: PTC resistor  
Degree of protection: IP54  
Thermal class: THCL155  
Min. permitted medium temperature  $t_{R(min)}$ : -20 °C  
Max. permitted medium temperature  $t_{R(max)}$  at  $n_{max}$ : 40 °C  
Approvals: CE, UKCA  
Conformity: ErP 2015

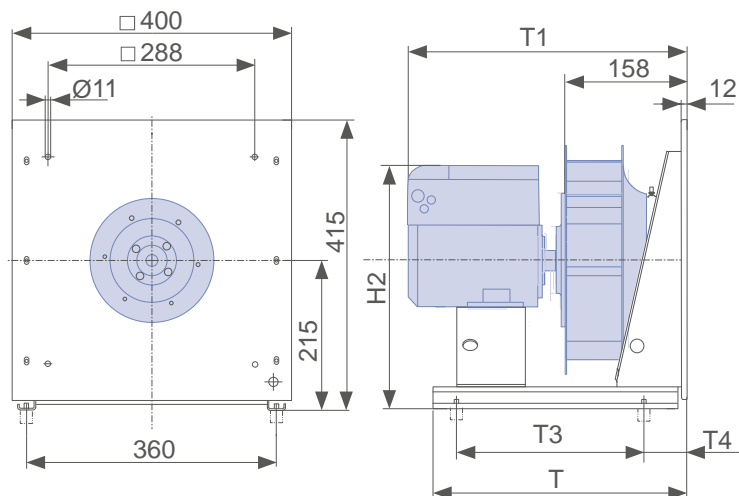
## Nozzle coefficients

Standard $k$	60
With guard grille $k_g$	58
With inlet guide grille $k_{Zflow}$	59

Characteristic curve



Dimensions mm



L-KL-3804-K-01



C-PMblue IE4										
Rated power	Type	Article no.	Motor size	Motor efficiency	Rated current	Rated speed	Maximum speed	Input power	Efficiency	Efficiency grade
$P_N$ kW				$\eta_{mot}$ %	$I_N$ A	$n_N$ rpm	$n_{max}$ rpm	$P_{ed}$ kW	$\eta_{statA}$ %	$N_{actual}^*$
2.20	<b>ER25C-6IN.A7.1R</b>	<b>116095/0P61</b>	071M	86.4	3.6-2.9	4500	5180	2.20	62.9	69.9

\* ErP 2015 setpoint N=62 | expected setpoint for next ErP level N=64

$P_N$ kW	Type	Weight kg	T mm	T1 mm	T3 mm	T4 mm	H2 mm	Flexible connector	Guard grille	Vibration damper		Inlet guide grille ZAflow
										Spring	Rubber	
2.20	<b>ER25C-6IN.A7.1R</b>	22.00	460	477	315	60	408	00403346	00411643	02021196	00090144	00415082

Information

ZAbuefin

Cpro

C

C-ATEX

Impellers with hub

System components

Control technology

General notes