

C plug fan – PMblue
 3~ 1.20

Centrifugal fans main catalogue with IEC standard motor
 05/2022

Plug fan C

ER11C.4R

Motor PMblue IE4



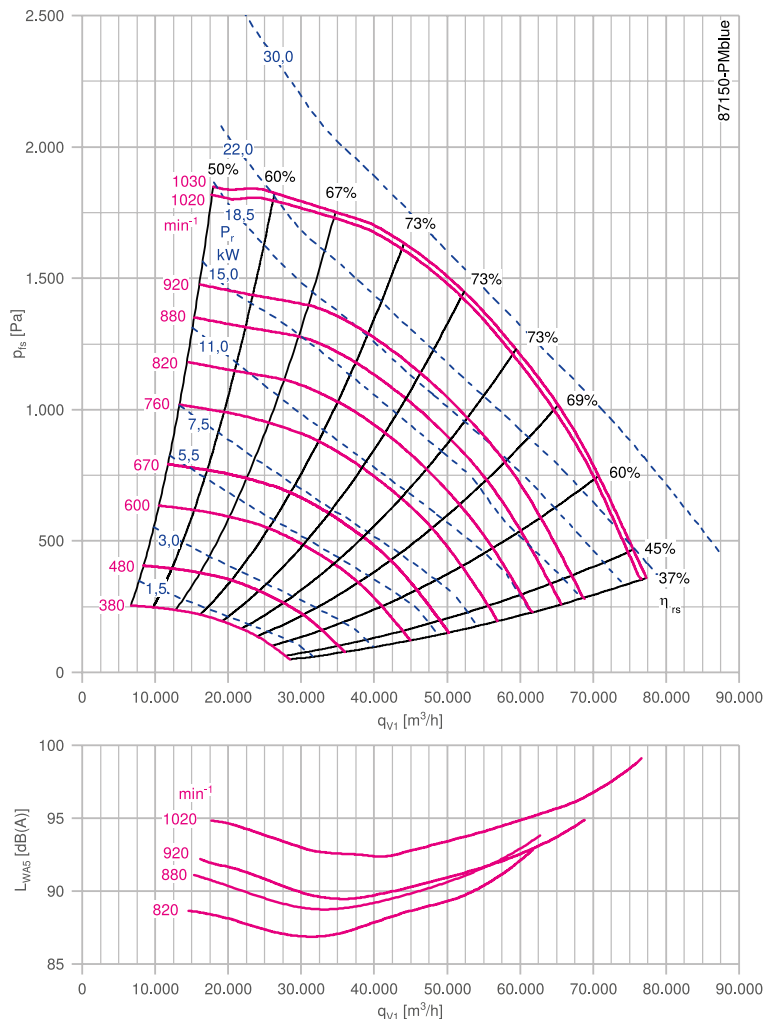
Description

Plug fan with high performance centrifugal impeller
 Impeller made of bright sheet metal powder-coated resistance class 1 (L-TI-0585) RAL 5002 (ultramarine blue)
 Inlet nozzle with measuring device for air flow measurement
 Motor with built-on PMIcontrol basic-M
 Fitting position H (horizontal)
 Rated voltage U_N : 3~ 380-480 V
 Rated frequency f_N : 50/60 Hz
 Motor protection: PTC resistor
 Degree of protection: IP54
 Thermal class: THCL155
 Min. permitted medium temperature $t_{R(min)}$: -20 °C
 Max. permitted medium temperature $t_{R(max)}$ at n_{max} : 40 °C
 Approvals: CE, UKCA
 Conformity: ErP 2015

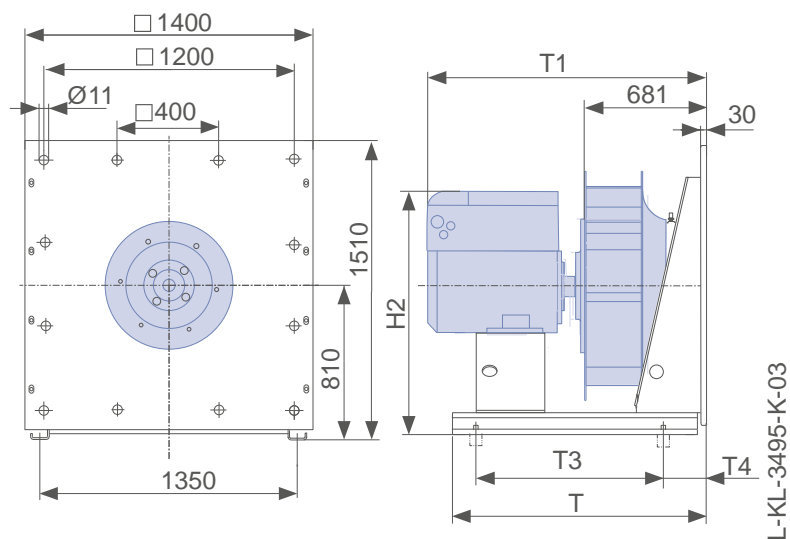
Nozzle coefficients

Standard k 1233
 With guard grille k_g 1072

Characteristic curve



Dimensions mm



L-KL-3495-K-03



C-PMblue IE4										
Rated power	Type	Article no.	Motor size	Motor efficiency	Rated current	Rated speed	Maximum speed	Input power	Efficiency	Efficiency grade
P_N kW				η_{mot} %	I_N A	n_N rpm	n_{max} rpm	P_{ed} kW	η_{statA} %	N_{actual}^*
18.40	ER11C-8IN.K7.4R	116047/0P61	160L	92.4	34.0-27.0	950	880	20.00	68.9	68.3
21.40	ER11C-8IN.K7.4R	116048/0P61	160L	92.7	38.0-30.0	920	920	23.00	69.2	68.3

* ErP 2015 setpoint N=62 | expected setpoint for next ErP level N=64

P_N kW	Type	Weight kg	T mm	T1 mm	T3 mm	T4 mm	H2 mm	Flexible connector	Guard grille	Vibration damper	
										Spring	Rubber
18.40	ER11C-8IN.K7.4R	487.00	1380	1271	1212	130	1161	00403352	00411650	02006452	02000407
21.40	ER11C-8IN.K7.4R	487.00	1380	1297	1212	130	1161	00403352	00411650	02006452	02000407

Information

ZAbbluefin

Cpro

C

C-ATEX

Impellers with hub

System components

Control technology

General notes

