

C plug fan – PMblue

Centrifugal fans main catalogue with IEC standard motor

# Plug fan C

ER11C.1R

Motor PMblue IE4



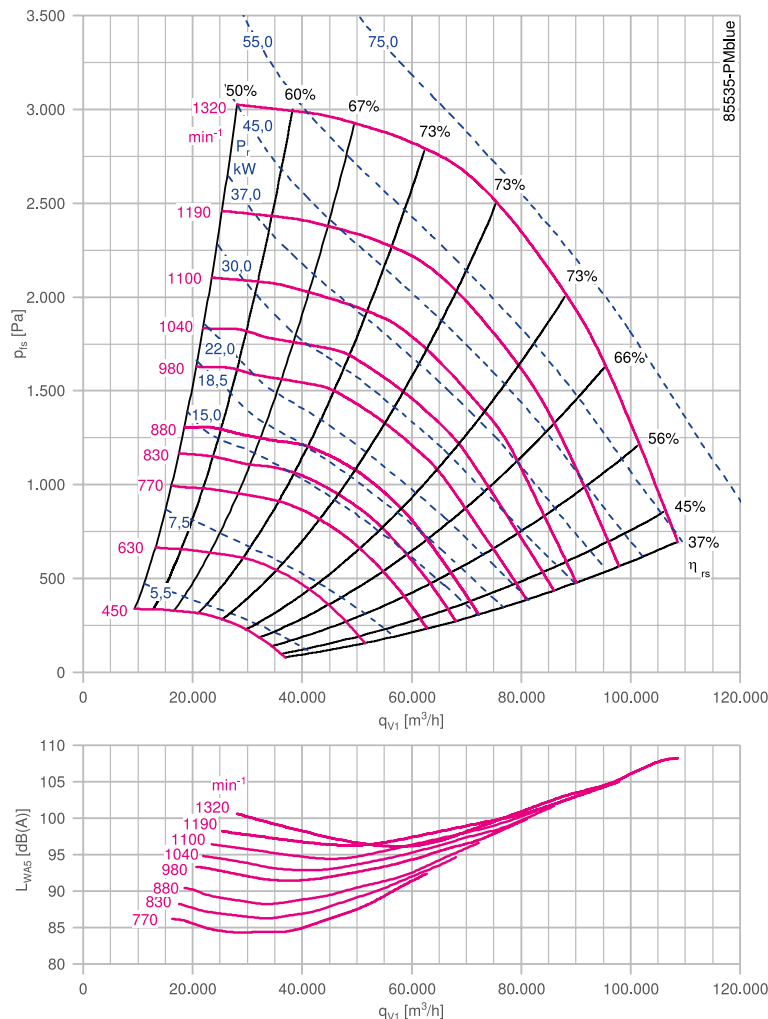
## Description

Plug fan with high performance centrifugal impeller  
 Impeller made of bright sheet metal powder-coated resistance class 1 (L-TI-0585) RAL 5002 (ultramarine blue)  
 Inlet nozzle with measuring device for air flow measurement  
 Motor with built-on PMIcontrol basic-M  
 Fitting position H (horizontal)  
 Rated voltage  $U_N$ : 3~ 380-480 V  
 Rated frequency  $f_N$ : 50/60 Hz  
 Motor protection: PTC resistor  
 Degree of protection: IP54  
 Thermal class: THCL155  
 Min. permitted medium temperature  $t_{R(min)}$ : -20 °C  
 Max. permitted medium temperature  $t_{R(max)}$  at  $n_{max}$ : 40 °C  
 Approvals: CE, UKCA  
 Conformity: ErP 2015

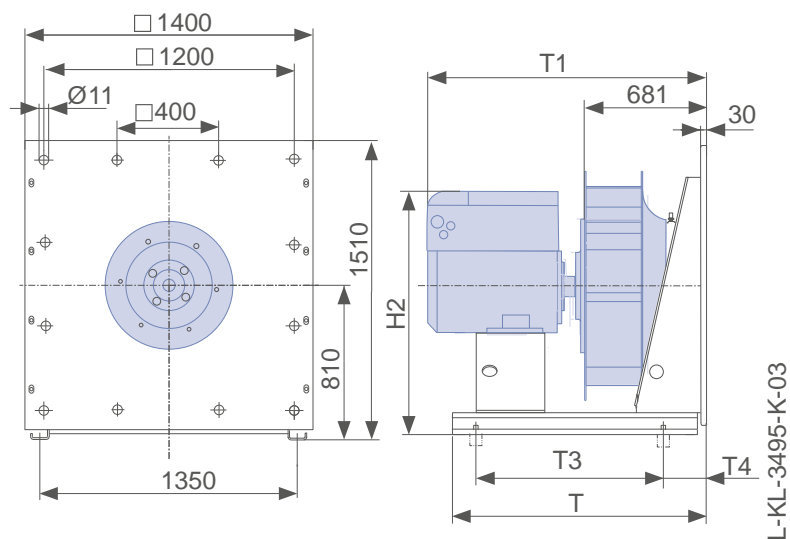
## Nozzle coefficients

Standard  $k$  1233  
 With guard grille  $k_g$  1072

Characteristic curve



Dimensions mm



L-KL-3495-K-03



C-PMblue IE4										
Rated power	Type	Article no.	Motor size	Motor efficiency	Rated current	Rated speed	Maximum speed	Input power	Efficiency	Efficiency grade
$P_N$ kW				$\eta_{mot}$ %	$I_N$ A	$n_N$ rpm	$n_{max}$ rpm	$P_{ed}$ kW	$\eta_{statA}$ %	$N_{actual}^*$
21.40	<a href="#">ER11C-8IN.K7.1R</a>	<a href="#">116049/0P61</a>	160L	92.7	33.0-26.0	920	830	19.50	69.0	68.3
21.40	<a href="#">ER11C-8IN.K7.1R</a>	<a href="#">116050/0P61</a>	160L	92.7	39.0-31.0	920	880	23.00	69.0	68.2

\* ErP 2015 setpoint N=62 | expected setpoint for next ErP level N=64

$P_N$ kW	Type	Weight kg	T mm	T1 mm	T3 mm	T4 mm	H2 mm	Flexible connector	Guard grille	Vibration damper	
										Spring	Rubber
21.40	<a href="#">ER11C-8IN.K7.1R</a>	586.00	1630	1374	1432	160	1161	00403352	00411650	02006452	02000407
21.40	<a href="#">ER11C-8IN.K7.1R</a>	586.00	1630	1374	1432	160	1161	00403352	00411650	02006452	02000407

Information

ZAbbluefin

Cpro

C

C-ATEX

Impellers with hub

System components

Control technology

General notes

