

C plug fan – PMblue  
01/2022

Centrifugal fans main catalogue with IEC standard motor  
05/2022

# Plug fan C

ER10C

Motor PMblue IE4



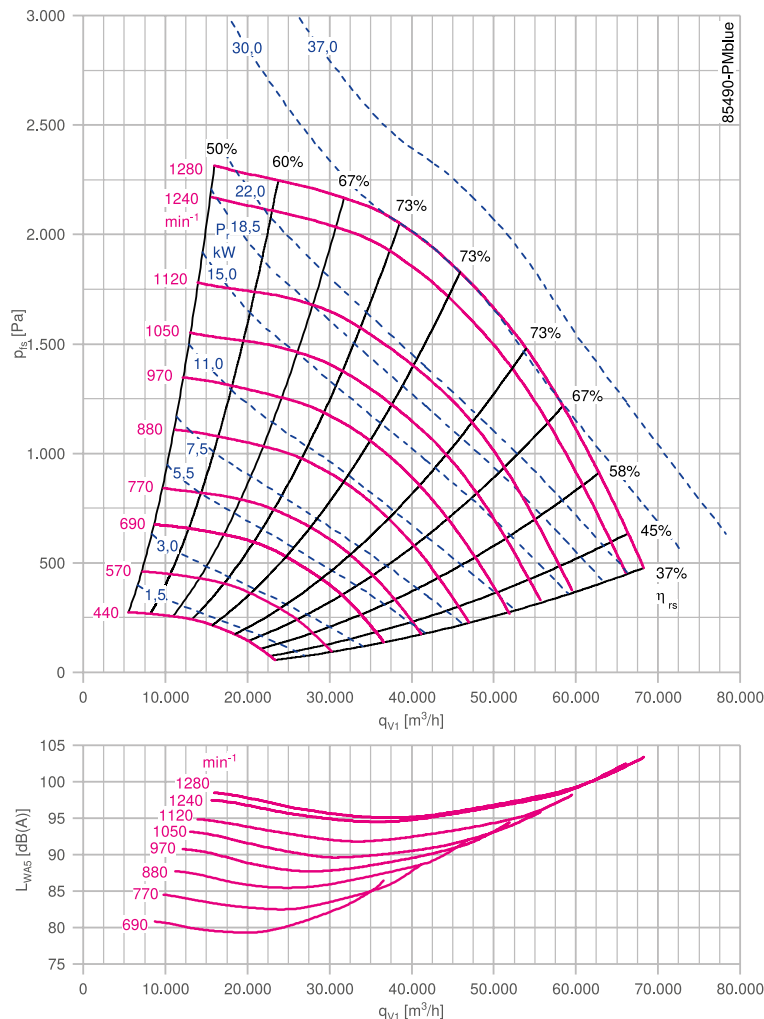
## Description

Plug fan with high performance centrifugal impeller  
Impeller made of bright sheet metal powder-coated resistance class 1 (L-TI-0585) RAL 5002 (ultramarine blue)  
Inlet nozzle with measuring device for air flow measurement  
Motor with built-on PMIcontrol basic-M  
Fitting position H (horizontal)  
Rated voltage  $U_N$ : 3~ 380-480 V  
Rated frequency  $f_N$ : 50/60 Hz  
Motor protection: PTC resistor  
Degree of protection: IP54  
Thermal class: THCL155  
Min. permitted medium temperature  $t_{R(min)}$ : -20 °C  
Max. permitted medium temperature  $t_{R(max)}$  at  $n_{max}$ : 40 °C  
Approvals: CE, UKCA  
Conformity: ErP 2015

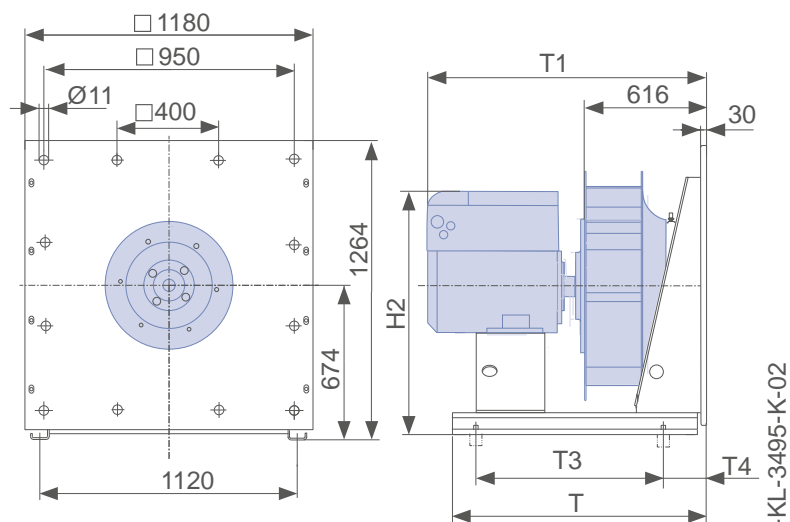
## Nozzle coefficients

Standard  $k$  999  
With guard grille  $k_g$  958

Characteristic curve



Dimensions mm



L-KL-3495-K-02



C-PMblue IE4										
Rated power	Type	Article no.	Motor size	Motor efficiency	Rated current	Rated speed	Maximum speed	Input power	Efficiency	Efficiency grade
$P_N$ kW				$\eta_{mot}$ %	$I_N$ A	$n_N$ rpm	$n_{max}$ rpm	$P_{ed}$ kW	$\eta_{statA}$ %	$N_{actual}^*$
18.50	<a href="#">ER10C-8IN.K7.1R</a>	<a href="#">116045/0P61</a>	160L	92.4	32.0-26.0	1070	1050	19.50	69.1	68.5
22.00	<a href="#">ER10C-8IN.K7.1R</a>	<a href="#">116046/0P61</a>	160L	92.8	39.0-31.0	1130	1120	24.00	69.4	68.6

\* ErP 2015 setpoint N=62 | expected setpoint for next ErP level N=64

$P_N$ kW	Type	Weight kg	T mm	T1 mm	T3 mm	T4 mm	H2 mm	Flexible connector	Guard grille	Vibration damper	
										Spring	Rubber
18.50	<a href="#">ER10C-8IN.K7.1R</a>	367.00	1160	1194	998	115	1025	00403351	00411649	02006451	02001674
22.00	<a href="#">ER10C-8IN.K7.1R</a>	372.00	1160	1194	998	115	1025	00403351	00411649	02006451	02000407

Information

ZAbbluefin

Cpro

C

C-ATEX

Impellers with hub

System components

Control technology

General notes