

C-series EC technology
72913

Fans for railroad engineering
72913

C-ECblue

for three phase alternating current, 380-480 V

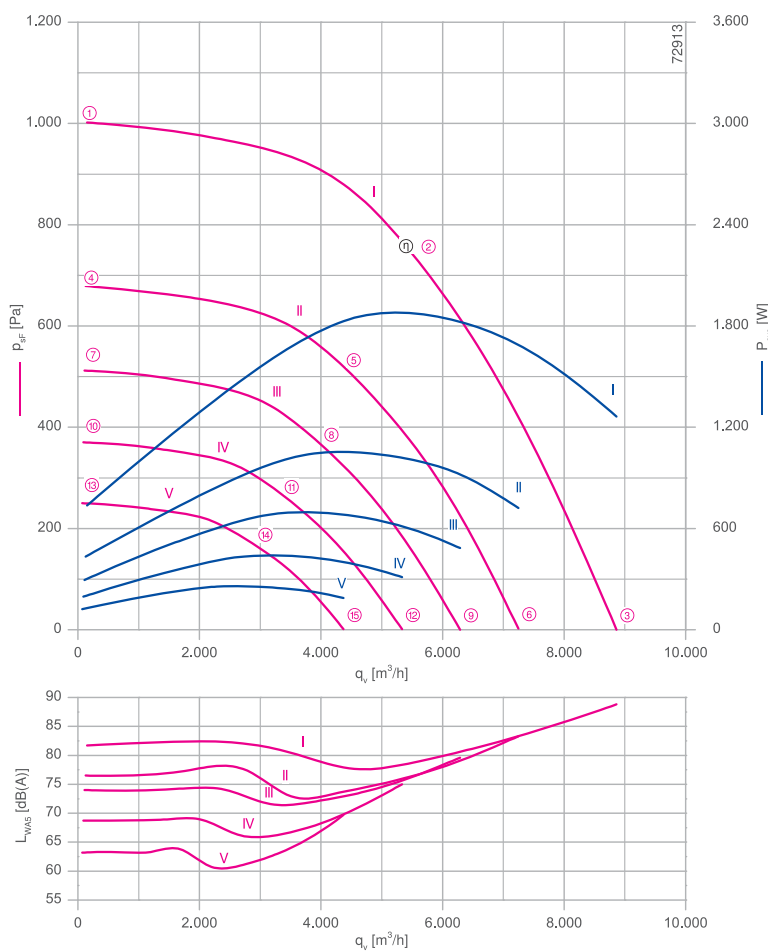
RH45C-ZIK



Description

Motor technology: EC
 Rated voltage U_N : 3~380-480 V*
 Rated frequency f_N : 50/60 Hz*
 Input power P_{sys} : 1.90 kW*
 Rated current I_N : 3.20-2.50 A*
 Rated speed n_N : 1850 min⁻¹*
 Thermal class: THCL155*
 Min. permitted ambient temperature t_R : -35 °C***
 Max. permitted ambient temperature $t_{R,max}$ at n_{max} : 40 °C
 Electrical connection: Integrated controller
 Balancing quality: G 6.3
 Degree of protection : IP54
 Motor protection: Integrated active temperature management
 Impeller : aluminium, uncoated
 Conformity: CE
 *Rated data
 *** Continuous operation with occasional starts (S1) according to DIN EN 60034-1:2011-02. Occasional starting between -35 °C and -25 °C is permissible. Continuous operation below -25 °C only with special bearings for refrigeration applications on request.

Characteristic curve

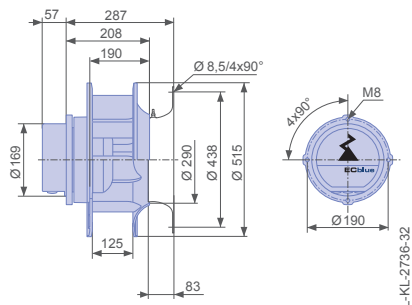


Measured with inlet ring, without guard grille according to ISO 5801

Inlet ring	00411856	RAL 7032 (pebble grey)	Page 302
Inlet ring	00411849	unpainted	
Connection diagram	1360-403		Page 326

Dimensions mm

Free-running motorized impeller RH
in installation position H/Vu/Vo



Type	Characteristic curve	Speed	Operating point	Current	Input power	Suction side sound power level	Maximum ambient temperature
		n min ⁻¹		I A	P _{sys} W	L _{WAS} dB(A)	t _R °C
RH45C-ZIK.DG.1R	I	1850	①	1.40	740	82	
			②	3.00	1900	79	40
			③	2.10	1250	89	
	II	1520	④	1.05	440	77	
			⑤	1.85	1050	73	60
			⑥	1.40	720	83	
	III	1320	⑦	0.78	290	74	
			⑧	1.35	700	72	60
			⑨	1.10	480	80	
	IV	1120	⑩	0.54	200	69	
			⑪	1.05	440	66	60
			⑫	0.82	310	75	
	V	920	⑬	0.37	120	63	
			⑭	0.70	260	61	60
			⑮	0.52	190	70	

Current values determined at 400V

Fan ordering information

Design RH*

Installation position H/Vu/Vo



Type **RH45C-ZIK.DG.1R**

Article no. **171872**

Weight kg 13.00

* inlet ring not included

Control technology

Operating terminal

Expansion module



Page 316



Page 307