

C-ECblue

for three phase alternating current, 380-480 V

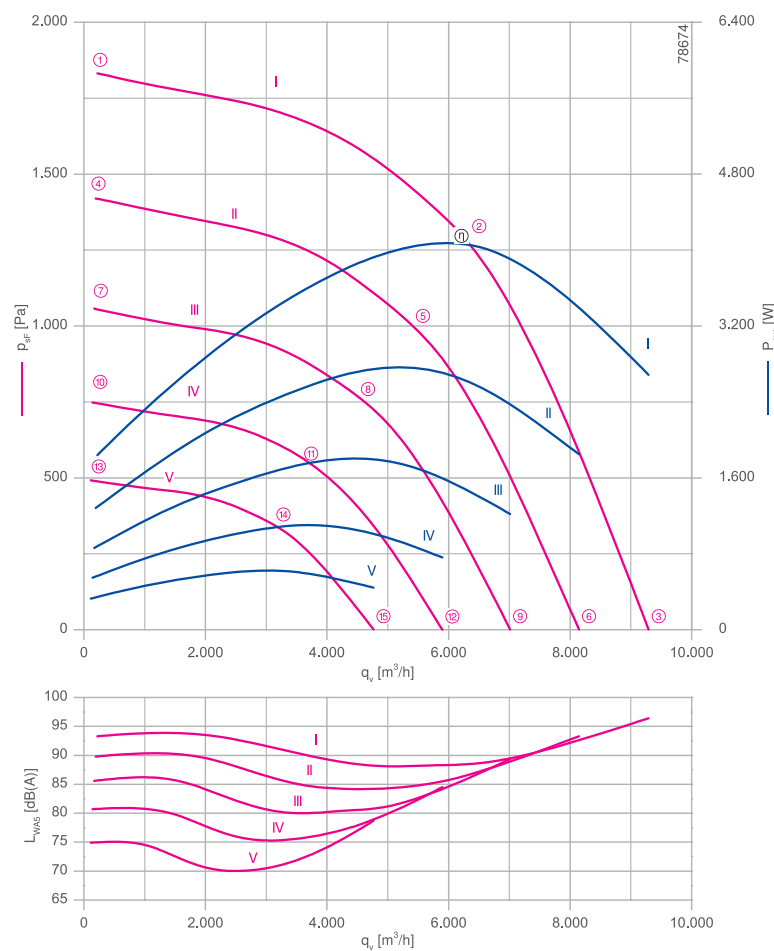
RH40C-ZID



Description

Motor technology: EC
 Rated voltage U_N : 3~380-480 V*
 Rated frequency f_N : 50/60 Hz*
 Input power P_{sys} : 4.10 kW*
 Rated current I_N : 6.50-5.20 A*
 Rated speed n_N : 2900 min⁻¹*
 Thermal class: THCL155*
 Min. permitted ambient temperature t_R : -35 °C***
 Max. permitted ambient temperature t_R at n_{max} : 60 °C
 Electrical connection: Integrated controller
 Balancing quality: G 6.3
 Degree of protection : IP54
 Motor protection: Integrated active temperature management
 Impeller : aluminium, uncoated
 Conformity: CE
 *Rated data
 *** Continuous operation with occasional starts (S1) according to DIN EN 60034-1:2011-02. Occasional starting between -35 °C and -25 °C is permissible. Continuous operation below -25 °C only with special bearings for refrigeration applications on request.

Characteristic curve

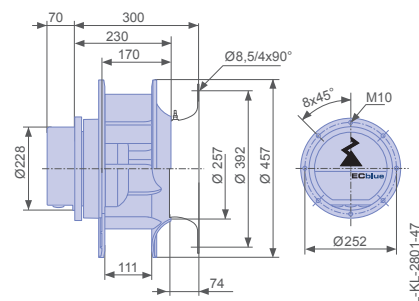


Measured with inlet ring, without guard grille according to ISO 5801

Inlet ring	00411855	RAL 7032 (pebble grey)	Page 302
Inlet ring	00411848	unpainted	
Connection diagram	1360-403		Page 326

Dimensions mm

Free-running motorized impeller RH
 in installation position H/Vu/Vo



Type	Characteristic curve	Speed n min ⁻¹	Operating point	Current	Input power	Suction side sound power level
				I A	P _{sys} W	L _{WA5} dB(A)
_40C-ZID.GG.1R	I	2900	①	2.90	1850	93
			②	6.20	4000	88
			③	4.20	2700	96
	II	2550	④	2.10	1300	90
			⑤	4.40	2800	84
			⑥	2.90	1850	93
	III	2200	⑦	1.50	860	86
			⑧	2.90	1800	80
			⑨	2.00	1200	89
	IV	1850	⑩	1.10	540	81
			⑪	1.90	1100	76
			⑫	1.40	760	85
	V	1500	⑬	0.84	330	75
			⑭	1.20	620	70
			⑮	1.00	440	79

Current values determined at 400V

Fan ordering information

Design RH*

Installation position H/Vu/Vo



Type RH40C-ZID.GG.1R

Article no. 171869

Weight kg 20.00

* inlet ring not included

Control technology

Operating terminal

Expansion module



Page 316



Page 307

Information

ZArail

Cpro-ECblue

C-ECblue

C series

N series

M series

FE2owlet