

# C-ECblue

for three phase alternating current, 380-480 V

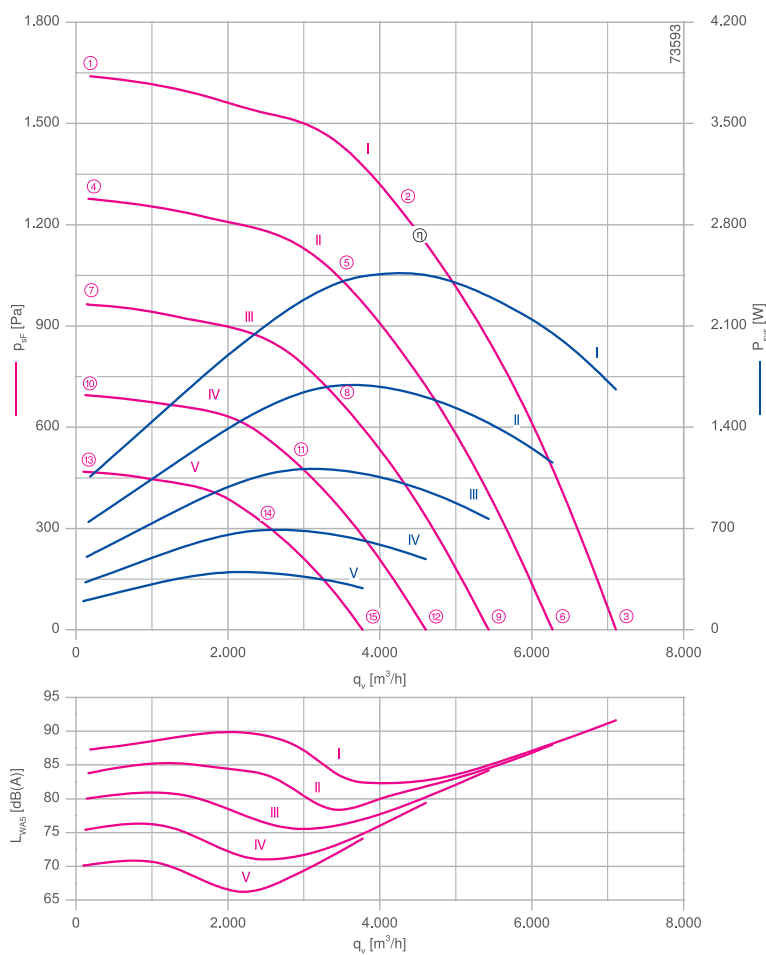
RH35C-ZID



## Description

Motor technology: EC  
 Rated voltage  $U_N$ : 3~380-480 V\*  
 Rated frequency  $f_N$ : 50/60 Hz\*  
 Input power  $P_{sys}$ : 2.50 kW\*  
 Rated current  $I_N$ : 4.00-3.20 A\*  
 Rated speed  $n_N$ : 3000 min<sup>-1</sup>\*  
 Thermal class: THCL155\*  
 Min. permitted ambient temperature  $t_R$ : -35 °C\*\*\*  
 Max. permitted ambient temperature  $t_R$  at  $n_{max}$ : 50 °C  
 Electrical connection: Integrated controller  
 Balancing quality: G 6.3  
 Degree of protection : IP54  
 Motor protection: Integrated active temperature management  
 Impeller : aluminium, uncoated  
 Conformity: CE  
 \*Rated data  
 \*\*\* Continuous operation with occasional starts (S1) according to DIN EN 60034-1:2011-02. Occasional starting between -35 °C and -25 °C is permissible. Continuous operation below -25 °C only with special bearings for refrigeration applications on request.

## Characteristic curve

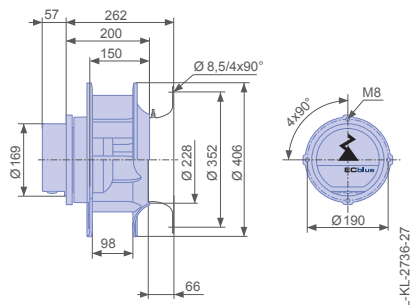


Measured with inlet ring, without guard grille according to ISO 5801

Inlet ring	00411854	RAL 7032 (pebble grey)	Page 302
Inlet ring	00411847	unpainted	
Connection diagram	1360-403		Page 326

## Dimensions mm

Free-running motorized impeller RH  
 in installation position H/Vu/Vo



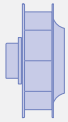
Type	Characteristic curve	Speed	Operating point	Current	Input power	Suction side sound power level	Maximum ambient temperature
		n min <sup>-1</sup>		I A	P <sub>sys</sub> W	L <sub>WAS</sub> dB(A)	t <sub>R</sub> °C
_35C-ZID.DC.1R	I	3000	①	1.85	1050	87	
			②	3.80	2500	82	50
			③	2.70	1650	92	
	II	2650	④	1.40	740	84	
			⑤	2.80	1700	79	60
			⑥	2.00	1150	88	
	III	2300	⑦	1.10	500	80	
			⑧	1.90	1100	76	60
			⑨	1.45	760	84	
	IV	1950	⑩	0.84	330	75	
			⑪	1.35	700	71	60
			⑫	1.05	480	79	
	V	1600	⑬	0.54	200	70	
			⑭	0.94	400	66	60
			⑮	0.76	290	74	

Current values determined at 400V

### Fan ordering information

Design RH\*

Installation position H/Vu/Vo



Type **RH35C-ZID.DC.1R**

Article no. **171866**

Weight kg 10.00

\* inlet ring not included

### Control technology

Operating terminal

Expansion module



Page 316



Page 307