

# C-ECblue

for three phase alternating current, 380-480 V

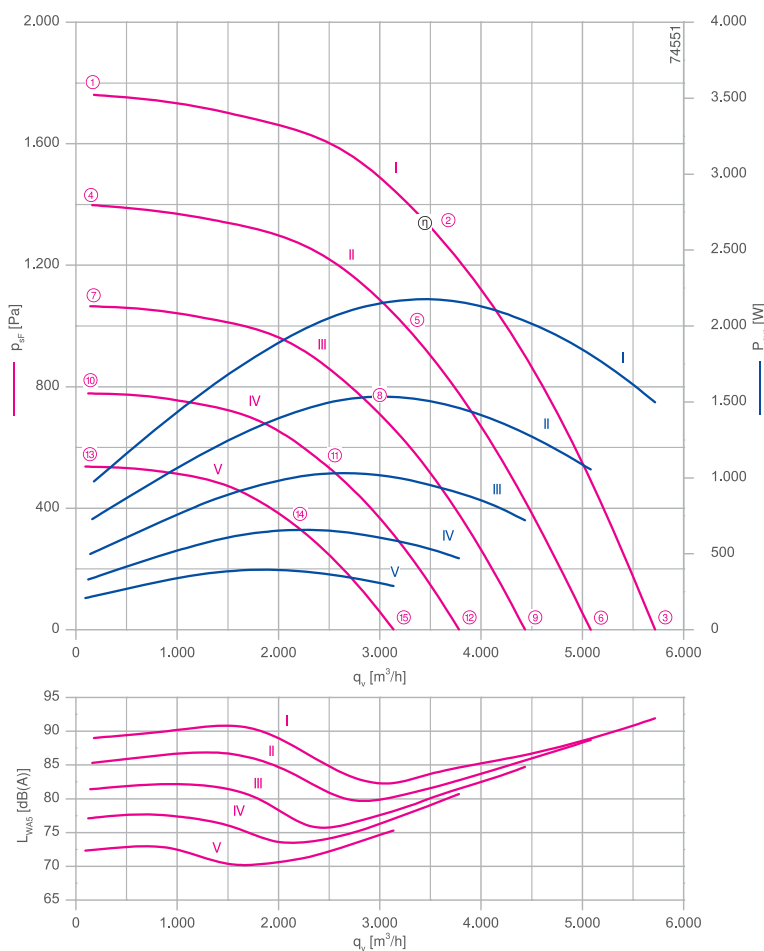
RH31C-ZID



## Description

Motor technology: EC  
 Rated voltage  $U_N$ : 3~380-480 V\*  
 Rated frequency  $f_N$ : 50/60 Hz\*  
 Input power  $P_{sys}$ : 2.20 kW\*  
 Rated current  $I_N$ : 3.60-2.85 A\*  
 Rated speed  $n_N$ : 3550 min<sup>-1</sup>\*  
 Thermal class: THCL155\*  
 Min. permitted ambient temperature  $t_R$ : -35 °C\*\*\*  
 Max. permitted ambient temperature  $t_R$  at  $n_{max}$ : 60 °C  
 Electrical connection: Integrated controller  
 Balancing quality: G 6.3  
 Degree of protection : IP54  
 Motor protection: Integrated active temperature management  
 Impeller : aluminium, uncoated  
 Conformity: CE  
 \*Rated data  
 \*\*\* Continuous operation with occasional starts (S1) according to DIN EN 60034-1:2011-02. Occasional starting between -35 °C and -25 °C is permissible. Continuous operation below -25 °C only with special bearings for refrigeration applications on request.

## Characteristic curve

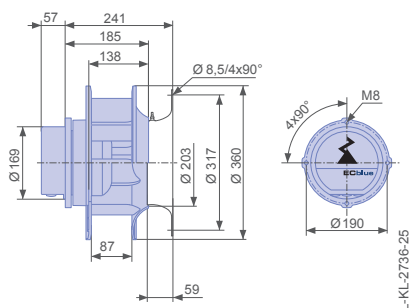


Measured with inlet ring, without guard grille according to ISO 5801

Inlet ring	00411853	RAL 7032 (pebble grey)	Page 302
Inlet ring	00411846	unpainted	
Connection diagram	1360-403		Page 326

## Dimensions mm

Free-running motorized impeller RH  
 in installation position H/Vu/Vo



Type	Characteristic curve	Speed n min <sup>-1</sup>	Operating point	Current	Input power	Suction side sound power level
				I A	P <sub>sys</sub> W	L <sub>WA5</sub> dB(A)
_31C-ZID.DC.1R	I	3550	①	1.70	980	89
			②	3.40	2200	84
			③	2.40	1500	92
	II	3150	④	1.40	720	85
			⑤	2.60	1550	81
			⑥	1.85	1050	89
	III	2750	⑦	1.10	500	81
			⑧	1.85	1050	77
			⑨	1.40	720	85
	IV	2350	⑩	0.84	330	77
			⑪	1.35	660	74
			⑫	1.10	460	81
	V	1950	⑬	0.60	210	72
			⑭	0.98	400	71
			⑮	0.76	290	75

Current values determined at 400V

## Fan ordering information

Design RH\*

Installation position H/Vu/Vo



**Type** RH31C-ZID.DC.1R

**Article no.** 171864

Weight kg 10.00

\* inlet ring not included

## Control technology

Operating terminal

Expansion module



Page 316



Page 307

Information

ZArail

Cpro-ECblue

C-ECblue

C series

N series

M series

FE2owlet