

C-ATEX plug fan

ER90C

Motor ZAmotbasicEx IE3



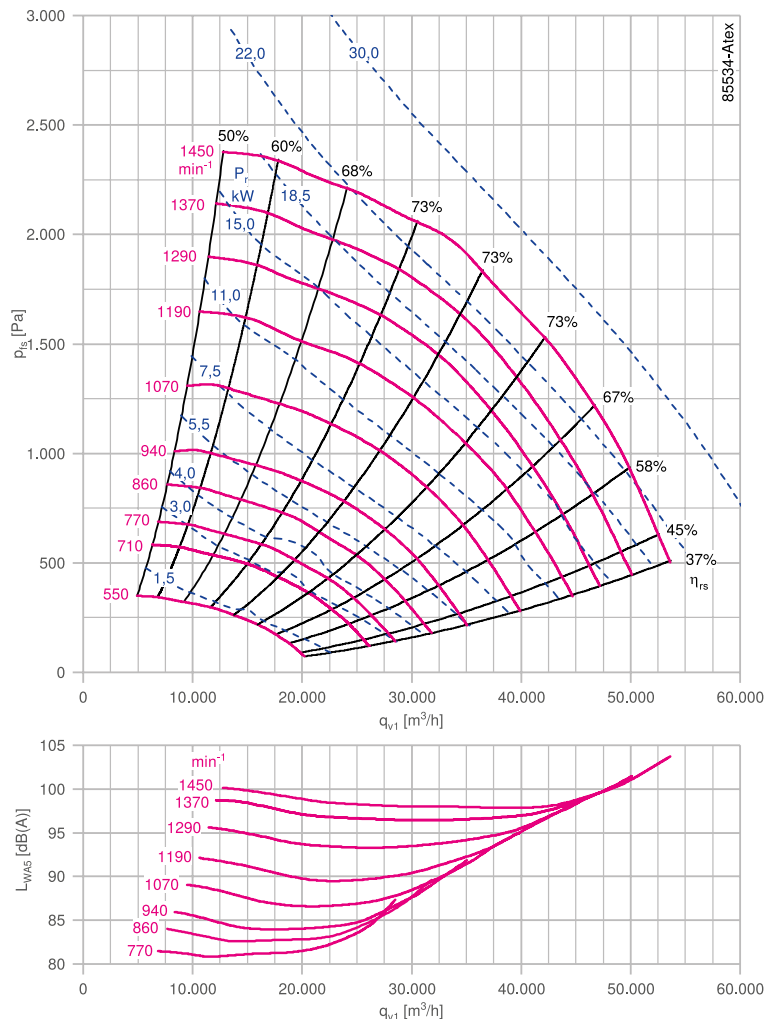
Description

Plug fan with high performance centrifugal impeller
 Impeller made of bright sheet metal powder-coated resistance class 2 (L-TI-0585) RAL 9005 (jet black)
 Inlet nozzle with measuring device for air flow measurement
 Fitting position H (horizontal)
 Rated voltage U_N : 3~ 400 V
 Rated frequency f_N : 50 Hz
 Motor protection: PTC resistor
 Degree of protection: IP56
 Thermal class: THCL155
 Min. permitted medium temperature $t_{R(min)}$: -20 °C
 Max. permitted medium temperature $t_{R(max)}$ at n_{max} : 40 °C
 Ex marking fan (mechanical): II 2G c IIB T4
 Ex marking motor (electrical): II 2G Ex h IIB T4 Gb

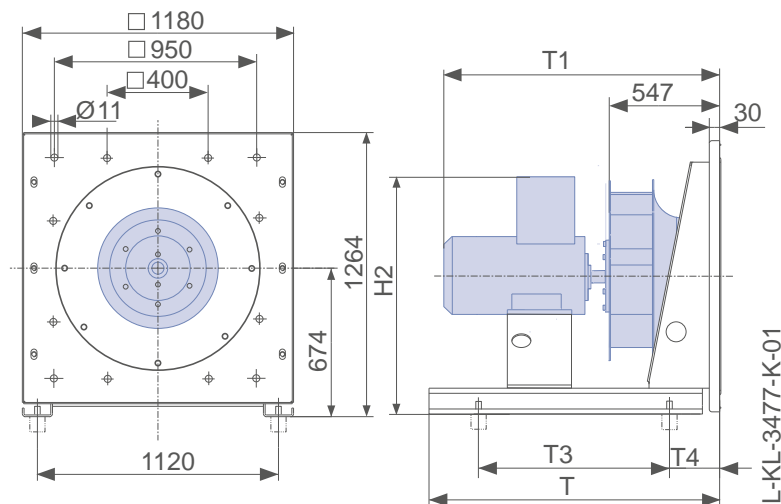
Nozzle coefficients

Standard k	789
With guard grille k_g	691

Characteristic curve



Dimensions mm



C-ATEX-ZAmotbasicEx IE3

Rated power P_N kW	Type	Article no.	Motor size	Motor efficiency η_{mot} %	Rated current I_N A	Rated speed n_N rpm	Maximum speed n_{max} rpm	Maximum frequency f_{max} Hz
4.0	ER90C-8DY.I7.1R	130537/EX41	160M/L	86.0	9.87	730	770	53
5.5	ER90C-8DY.I7.1R	130538/EX41	160M/L	87.3	12.50	725	860	59
7.5	ER90C-6DY.I7.1R	130539/EX41	160M/L	89.3	14.80	975	940	48
11.0	ER90C-6DY.K7.1R	130540/EX41	160L/M	90.5	21.90	975	1070	55
15.0	ER90C-6DY.M7.1R	130541/EX41	180L/M	91.4	28.20	978	1190	61
18.5	ER90C-6DY.N7.1R	130542/EX41	200L/M	91.9	35.90	980	1290	66
22.0	ER90C-6DY.N7.1R	130543/EX41	200L/M	92.4	42.40	980	1370	70
30.0	ER90C-4DY.N7.1R	130544/EX41	200L/M	93.7	57.10	1480	1450	49

P_N kW	Type	Weight kg	T mm	T1 mm	T3 mm	T4 mm	H2 mm	Flexible connector	Guard grille	Vibration damper		Frequency inverters 3~
										Spring	Rubber	
4.0	ER90C-8DY.I7.1R	388.00	1160	1189	840	115	1024	00406435	00412710	02006450	02001674	308236
5.5	ER90C-8DY.I7.1R	378.00	1160	1189	788	115	1024	00406435	00412710	02006450	02001674	308265
7.5	ER90C-6DY.I7.1R	378.00	1160	1189	945	115	1024	00406435	00412710	02006451	02001674	308267
11.0	ER90C-6DY.K7.1R	401.00	1160	1189	998	115	1024	00406435	00412710	02006451	02000407	308323
15.0	ER90C-6DY.M7.1R	458.00	1320	1224	945	115	1044	00406435	00412710	02006451	02000407	308325
18.5	ER90C-6DY.N7.1R	504.00	1320	1293	1155	115	1069	00406435	00412710	02006452	02000407	308327
22.0	ER90C-6DY.N7.1R	526.00	1320	1293	1155	115	1069	00406435	00412710	02006452	02019767	308329
30.0	ER90C-4DY.N7.1R	526.00	1320	1293	1155	115	1069	00406435	00412710	02006452	02019767	308331

Information

ZAbuefin

Cpro

C

C-ATEX

Impellers with hub

System components

Control technology

General notes