

C-ATEX plug fan – ZAmotbasicEx
 12/2022

Centrifugal fans main catalogue with IEC standard motor
 05/2022

C-ATEX plug fan

ER80C

Motor ZAmotbasicEx IE3



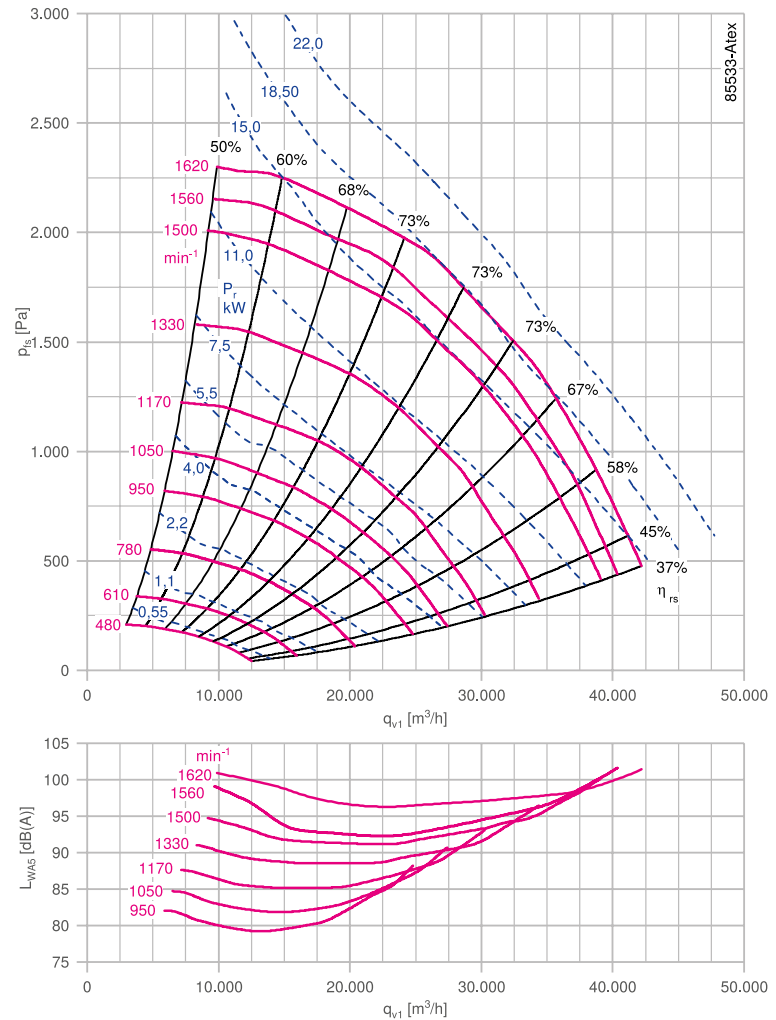
Description

Plug fan with high performance centrifugal impeller
 Impeller made of bright sheet metal powder-coated resistance class 2 (L-TI-0585) RAL 9005 (jet black)
 Inlet nozzle with measuring device for air flow measurement
 Fitting position H (horizontal)
 Rated voltage U_N : 3~ 400 V
 Rated frequency f_N : 50 Hz
 Motor protection: PTC resistor
 Degree of protection: IP56
 Thermal class: THCL155
 Min. permitted medium temperature $t_{R(min)}$: -20 °C
 Max. permitted medium temperature $t_{R(max)}$ at n_{max} : 40 °C
 Ex marking fan (mechanical): II 2G c IIB T4
 Ex marking motor (electrical): II 2G Ex h IIB T4 Gb

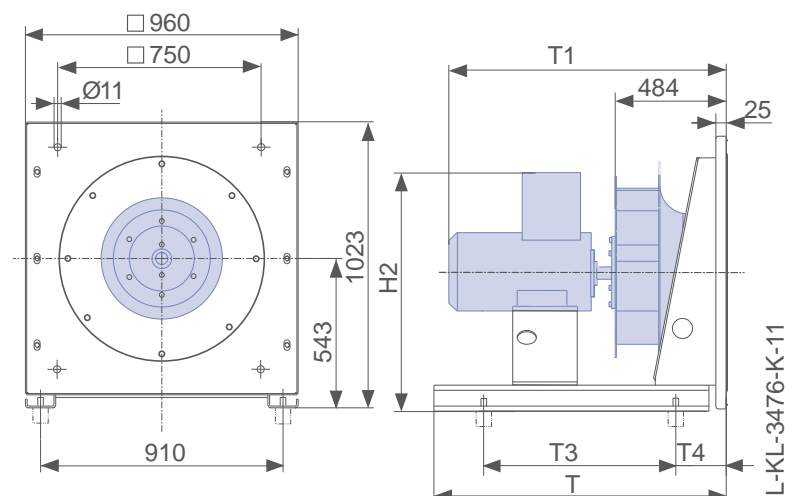
Nozzle coefficients

Standard k	620
With guard grille k_g	543

Characteristic curve



Dimensions mm



C-ATEX-ZAmotbasicEx IE3								
Rated power P_N kW	Type	Article no.	Motor size	Motor efficiency η_{mot} %	Rated current I_N A	Rated speed n_N rpm	Maximum speed n_{max} rpm	Maximum frequency f_{max} Hz
4.0	ER80C-6DY.H7.1R	130545/EX41	132M/S	86.8	9.11	965	950	49
5.5	ER80C-6DY.H7.1R	130546/EX41	132M/S	88.0	12.90	970	1050	54
7.5	ER80C-6DY.I7.1R	130547/EX41	160M/L	89.3	14.80	975	1170	60
11.0	ER80C-6DY.K7.1R	130548/EX41	160L/M	90.5	21.90	975	1330	68
15.0	ER80C-4DY.K7.1R	130549/EX41	160L/M	92.3	27.90	1470	1500	51
18.5	ER80C-4DY.L7.1R	130550/EX41	180M/L	92.6	35.20	1470	1560	53
22.0	ER80C-4DY.M7.1R	130551/EX41	180L/M	93.2	41.00	1470	1620	55

P_N kW	Type	Weight kg	T mm	T1 mm	T3 mm	T4 mm	H2 mm	Flexible connector	Guard grille	Vibration damper		Frequency inverters 3~
										Spring	Rubber	
4.0	ER80C-6DY.H7.1R	242.00	885	964	735	115	772	00406434	00414163	02006450	00090157	308265
5.5	ER80C-6DY.H7.1R	242.00	885	964	735	115	772	00406434	00414163	02006450	00090157	308265
7.5	ER80C-6DY.I7.1R	310.00	1045	1127	893	115	893	00406434	00414163	02006450	00090157	308267
11.0	ER80C-6DY.K7.1R	333.00	1045	1127	893	115	893	00406434	00414163	02006450	00090157	308323
15.0	ER80C-4DY.K7.1R	333.00	1045	1127	840	115	893	00406434	00414163	02006450	02000407	308325
18.5	ER80C-4DY.L7.1R	388.00	1045	1162	893	115	913	00406434	00414163	02006451	02000407	308327
22.0	ER80C-4DY.M7.1R	388.00	1045	1162	893	115	913	00406434	00414163	02006451	02000407	308329