

C-ATEX plug fan – ZAmotbasicEx  
ER63C

Centrifugal fans main catalogue with IEC standard motor  
05/2022

# C-ATEX plug fan

ER63C

Motor ZAmotbasicEx IE3



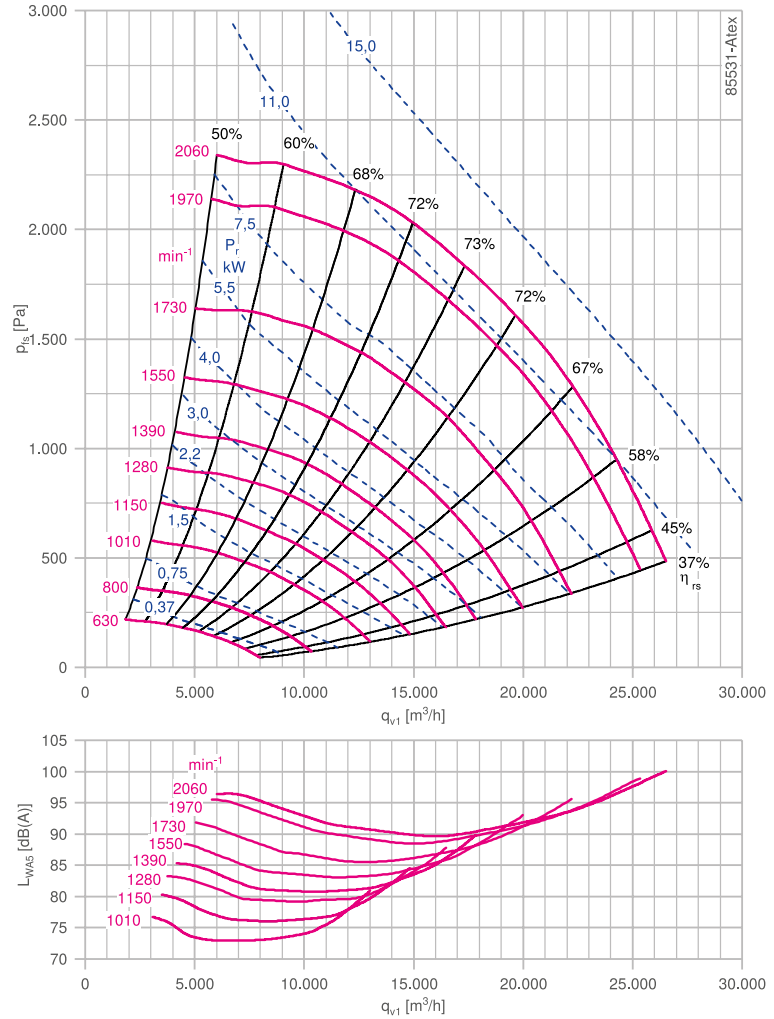
## Description

Plug fan with high performance centrifugal impeller  
 Impeller made of bright sheet metal powder-coated  
 resistance class 2 (L-TI-0585) RAL 9005 (jet black)  
 Inlet nozzle with measuring device for air flow measurement  
 Fitting position H (horizontal)  
 Rated voltage  $U_N$ : 3~ 400 V  
 Rated frequency  $f_N$ : 50 Hz  
 Motor protection: PTC resistor  
 Degree of protection: IP56  
 Thermal class: THCL155  
 Min. permitted medium temperature  $t_{R(min)}$ : -20 °C  
 Max. permitted medium temperature  $t_{R(max)}$  at  $n_{max}$ : 40 °C Ex  
 marking fan (mechanical): II 2G c IIB T4  
 Ex marking motor (electrical): II 2G Ex h IIB T4 Gb

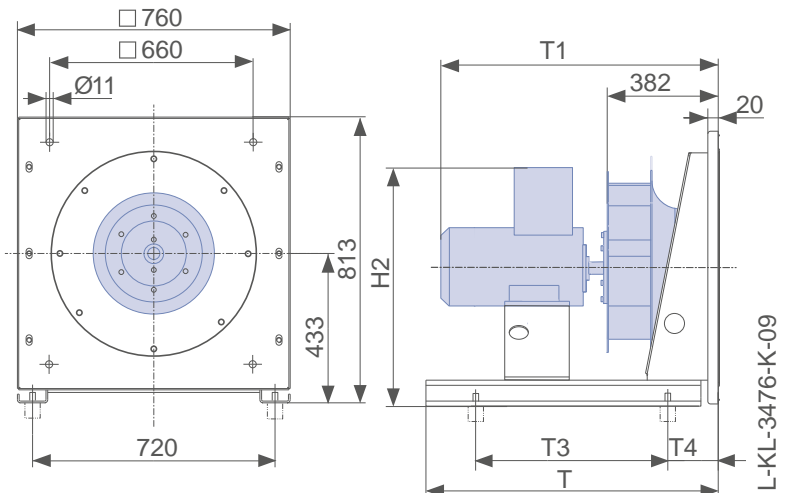
## Nozzle coefficients

Standard k	381
With guard grille $k_g$	334

## Characteristic curve



## Dimensions mm



L-KL-3476-K-09



## C-ATEX-ZAmotbasicEx IE3

Rated power $P_N$ kW	Type	Article no.	Motor size	Motor efficiency $\eta_{mot}$ %	Rated current $I_N$ A	Rated speed $n_N$ rpm	Maximum speed $n_{max}$ rpm	Maximum frequency $f_{max}$ Hz
1.5	<a href="#">ER63C-6DY.E7.1R</a>	<a href="#">130560/EX41</a>	100L	82.5	3.70	955	1010	53
2.2	<a href="#">ER63C-6DY.F7.1R</a>	<a href="#">130561/EX41</a>	112M	84.5	5.29	960	1150	60
3.0	<a href="#">ER63C-6DY.G7.1R</a>	<a href="#">130562/EX41</a>	132S/M	85.6	6.93	970	1280	66
4.0	<a href="#">ER63C-4DY.F7.1R</a>	<a href="#">130563/EX41</a>	112M	88.8	8.34	1450	1390	48
5.5	<a href="#">ER63C-4DY.G7.1R</a>	<a href="#">130564/EX41</a>	132S/M	89.7	10.40	1460	1,550	53
7.5	<a href="#">ER63C-4DY.H7.1R</a>	<a href="#">130565/EX41</a>	132M/S	90.4	14.30	1465	1730	59
11.0	<a href="#">ER63C-4DY.I7.1R</a>	<a href="#">163662/EX41</a>	160M/L	91.6	20.90	1470	1970	67
15.0	<a href="#">ER63C-4DY.K7.1R</a>	<a href="#">163663/EX41</a>	160L/M	92.3	27.90	1470	2060	70

$P_N$ kW	Type	Weight kg	T mm	T1 mm	T3 mm	T4 mm	H2 mm	Flexible connector	Guard grille	Vibration damper		Frequency inverters 3~
										Spring	Rubber	
1.5	<a href="#">ER63C-6DY.E7.1R</a>	122.00	720	795	525	115	629	00406433	00412707	02021198	00090144	308232
2.2	<a href="#">ER63C-6DY.F7.1R</a>	139.00	720	813	578	115	642	00406433	00412707	02021199	00090144	308234
3.0	<a href="#">ER63C-6DY.G7.1R</a>	170.00	880	861	683	115	662	00406433	00412707	02021199	02000124	308234
4.0	<a href="#">ER63C-4DY.F7.1R</a>	139.00	720	813	578	115	642	00406433	00412707	02021199	02000124	308236
5.5	<a href="#">ER63C-4DY.G7.1R</a>	176.00	880	861	578	115	662	00406433	00412707	02021199	02000124	308265
7.5	<a href="#">ER63C-4DY.H7.1R</a>	176.00	880	861	683	115	662	00406433	00412707	02018876	02020907	308267
11.0	<a href="#">ER63C-4DY.I7.1R</a>	275.00	880	1024	735	115	783	00406433	00412707	02018876	02020907	308323
15.0	<a href="#">ER63C-4DY.K7.1R</a>	277.00	880	1024	735	115	783	00406433	00412707	02018876	02020907	308325

Information

ZAbuefin

Cpro

C

C-ATEX

Impellers with hub

System components

Control technology

General notes