

C-ATEX plug fan – ZAmotbasicEx  
 01/2022

Centrifugal fans main catalogue with IEC standard motor  
 01/2022

# C-ATEX plug fan

ER56C

Motor ZAmotbasicEx IE3



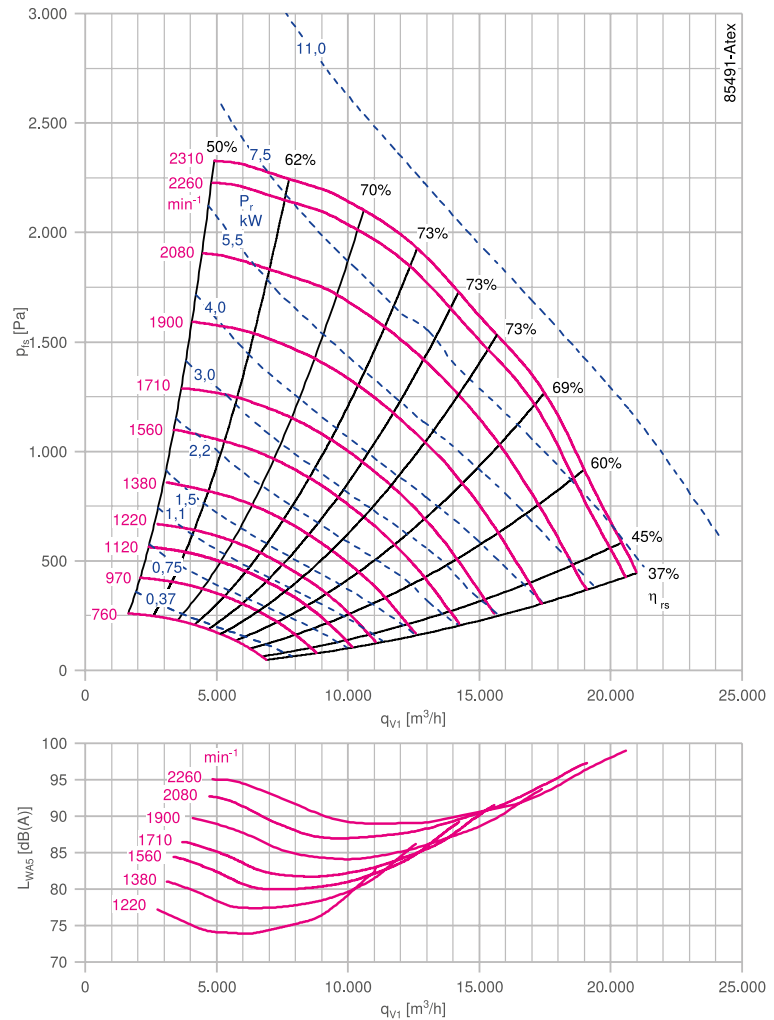
## Description

Plug fan with high performance centrifugal impeller  
 Impeller made of bright sheet metal powder-coated resistance class 2 (L-TI-0585) RAL 9005 (jet black)  
 Inlet nozzle with measuring device for air flow measurement  
 Fitting position H (horizontal)  
 Rated voltage  $U_N$ : 3~ 400 V  
 Rated frequency  $f_N$ : 50 Hz  
 Motor protection: PTC resistor  
 Degree of protection: IP56  
 Thermal class: THCL155  
 Min. permitted medium temperature  $t_{R(min)}$ : -20 °C  
 Max. permitted medium temperature  $t_{R(max)}$  at  $n_{max}$ : 40 °C  
 Ex marking fan (mechanical): II 2G c IIB T4  
 Ex marking motor (electrical): II 2G Ex h IIB T4 Gb

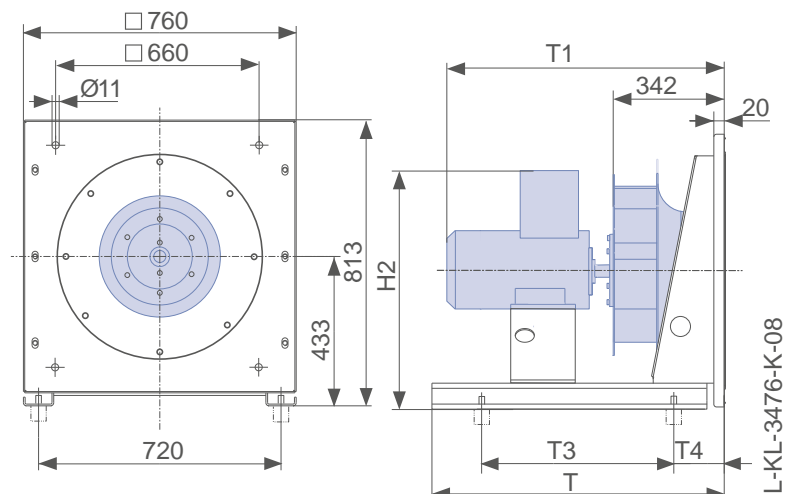
## Nozzle coefficients

Standard k	308
With guard grille $k_g$	271

Characteristic curve



Dimensions mm



C-ATEX-ZAmotbasicEx IE3								
Rated power $P_N$ kW	Type	Article no.	Motor size	Motor efficiency $\eta_{mot}$ %	Rated current $I_N$ A	Rated speed $n_N$ rpm	Maximum speed $n_{max}$ rpm	Maximum frequency $f_{max}$ Hz
1.5	<a href="#">ER56C-6DY.E7.1R</a>	<a href="#">130568/EX41</a>	100L	82.5	3.70	955	1220	64
2.2	<a href="#">ER56C-4DY.E7.1R</a>	<a href="#">130569/EX41</a>	100L	87.0	4.62	1435	1380	48
3.0	<a href="#">ER56C-4DY.E7.1R</a>	<a href="#">130570/EX41</a>	100L	88.0	6.15	1440	1560	54
4.0	<a href="#">ER56C-4DY.F7.1R</a>	<a href="#">130571/EX41</a>	112M	88.8	8.34	1450	1710	59
5.5	<a href="#">ER56C-4DY.G7.1R</a>	<a href="#">130572/EX41</a>	132S/M	89.7	10.40	1460	1900	65
7.5	<a href="#">ER56C-4DY.H7.1R</a>	<a href="#">163660/EX41</a>	132M/S	90.4	14.30	1465	2080	71
11.0	<a href="#">ER56C-4DY.I7.1R</a>	<a href="#">163661/EX41</a>	160M/L	91.6	20.90	1470	2260	77

$P_N$ kW	Type	Weight kg	T mm	T1 mm	T3 mm	T4 mm	H2 mm	Flexible connector	Guard grille	Vibration damper		Frequency inverters 3~
										Spring	Rubber	
1.5	<a href="#">ER56C-6DY.E7.1R</a>	108.00	720	756	525	115	629	00406433	00412706	02021198	00090144	308232
2.2	<a href="#">ER56C-4DY.E7.1R</a>	106.00	720	756	525	115	629	00406433	00412706	02021199	00090144	308232
3.0	<a href="#">ER56C-4DY.E7.1R</a>	116.00	720	756	578	115	629	00406433	00412706	02021199	02000124	308234
4.0	<a href="#">ER56C-4DY.F7.1R</a>	125.00	720	774	578	115	642	00406433	00412706	02021199	02000124	308236
5.5	<a href="#">ER56C-4DY.G7.1R</a>	163.00	880	822	683	115	662	00406433	00412706	02018876	02000124	308265
7.5	<a href="#">ER56C-4DY.H7.1R</a>	163.00	880	822	683	115	662	00406433	00412706	02018876	02020907	308267
11.0	<a href="#">ER56C-4DY.I7.1R</a>	260.00	880	985	735	115	783	00406433	00412706	02018876	02020907	308323