

C-ATEX plug fan – ZAmotbasicEx
 2022

Centrifugal fans main catalogue with IEC standard motor
 2022

C-ATEX plug fan

ER50C

Motor ZAmotbasicEx IE3



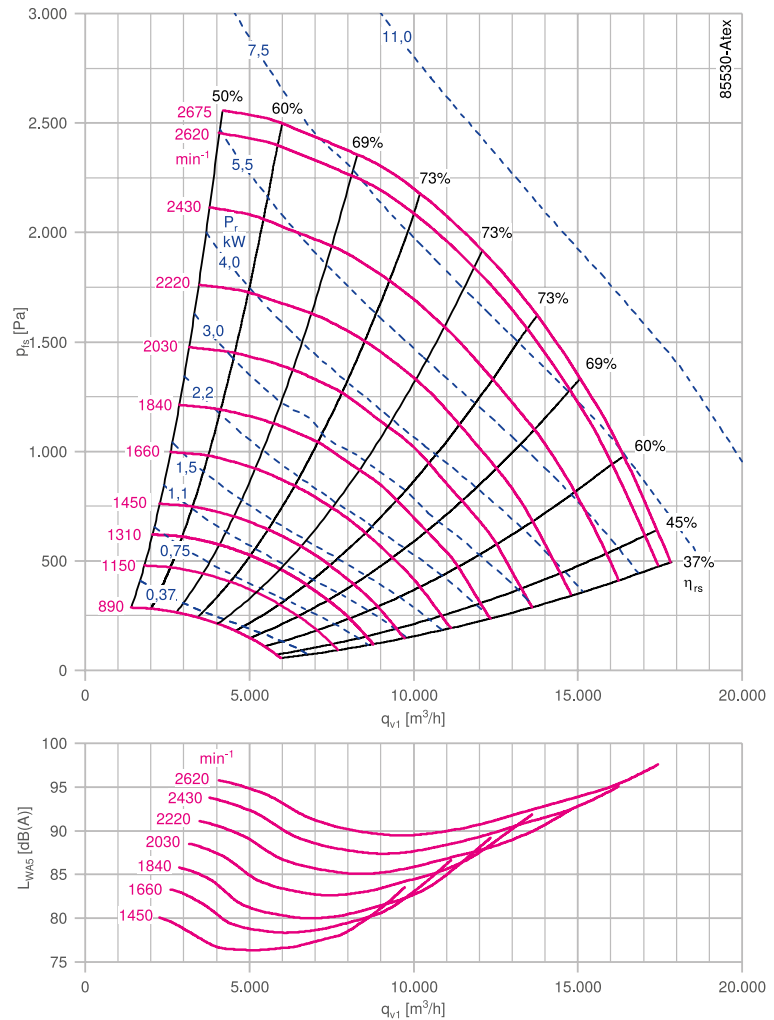
Description

Plug fan with high performance centrifugal impeller
 Impeller made of bright sheet metal powder-coated resistance class 2 (L-TI-0585) RAL 9005 (jet black)
 Inlet nozzle with measuring device for air flow measurement
 Fitting position H (horizontal)
 Rated voltage U_N : 3~ 400 V
 Rated frequency f_N : 50 Hz
 Motor protection: PTC resistor
 Degree of protection: IP56
 Thermal class: THCL155
 Min. permitted medium temperature $t_{R(min)}$: -20 °C
 Max. permitted medium temperature $t_{R(max)}$ at n_{max} : 40 °C
 Ex marking fan (mechanical): II 2G c IIB T4
 Ex marking motor (electrical): II 2G Ex h IIB T4 Gb

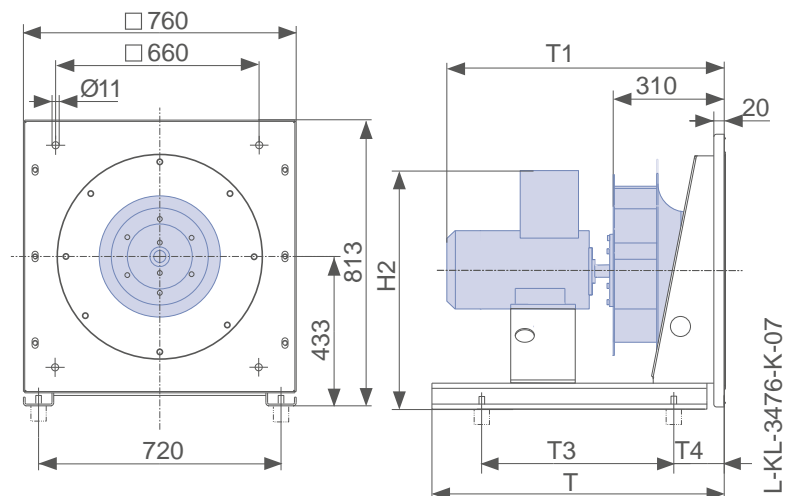
Nozzle coefficients

Standard k	252
With guard grille k_g	221

Characteristic curve



Dimensions mm



C-ATEX-ZAmotbasicEx IE3

Rated power P_N kW	Type	Article no.	Motor size	Motor efficiency η_{mot} %	Rated current I_N A	Rated speed n_N rpm	Maximum speed n_{max} rpm	Maximum frequency f_{max} Hz
1.5	ER50C-4DY.D7.1R	130575/EX41	090L/S	85.5	3.21	1445	1450	50
2.2	ER50C-4DY.E7.1R	130576/EX41	100L	87.0	4.62	1435	1660	58
3.0	ER50C-4DY.E7.1R	130577/EX41	100L	88.0	6.15	1440	1840	64
4.0	ER50C-4DY.F7.1R	130578/EX41	112M	88.8	8.34	1450	2030	70
5.5	ER50C-4DY.G7.1R	130579/EX41	132S/M	89.7	10.40	1460	2220	76
7.5	ER50C-4DY.H7.1R	130580/EX41	132M/S	90.4	14.30	1465	2430	83
11.0	ER50C-4DY.I7.1R	130581/EX41	160M/L	91.6	20.90	1470	2620	89

P_N kW	Type	Weight kg	T mm	T1 mm	T3 mm	T4 mm	H2 mm	Flexible connector	Guard grille	Vibration damper		Frequency inverters 3~
										Spring	Rubber	
1.5	ER50C-4DY.D7.1R	93.00	720	680	420	115	616	00406433	00412705	02021198	00090144	308230
2.2	ER50C-4DY.E7.1R	101.00	720	724	473	115	629	00406433	00412705	02021199	00090144	308232
3.0	ER50C-4DY.E7.1R	111.00	720	724	525	115	629	00406433	00412705	02021199	00090144	308234
4.0	ER50C-4DY.F7.1R	121.00	720	742	525	115	642	00406433	00412705	02021199	02000124	308236
5.5	ER50C-4DY.G7.1R	157.00	720	790	578	115	662	00406433	00412705	02018876	02000124	308265
7.5	ER50C-4DY.H7.1R	157.00	720	790	578	115	662	00406433	00412705	02018876	02000124	308267
11.0	ER50C-4DY.I7.1R	256.00	880	953	735	115	783	00406433	00412705	02018876	02000124	308323

Information

ZAbuefin

Cpro

C

C-ATEX

Impellers with hub

System components

Control technology

General notes