

C-ATEX plug fan – ZAmotbasicEx
ER45C

Centrifugal fans main catalogue with IEC standard motor
05/2022

C-ATEX plug fan

ER45C

Motor ZAmotbasicEx IE3



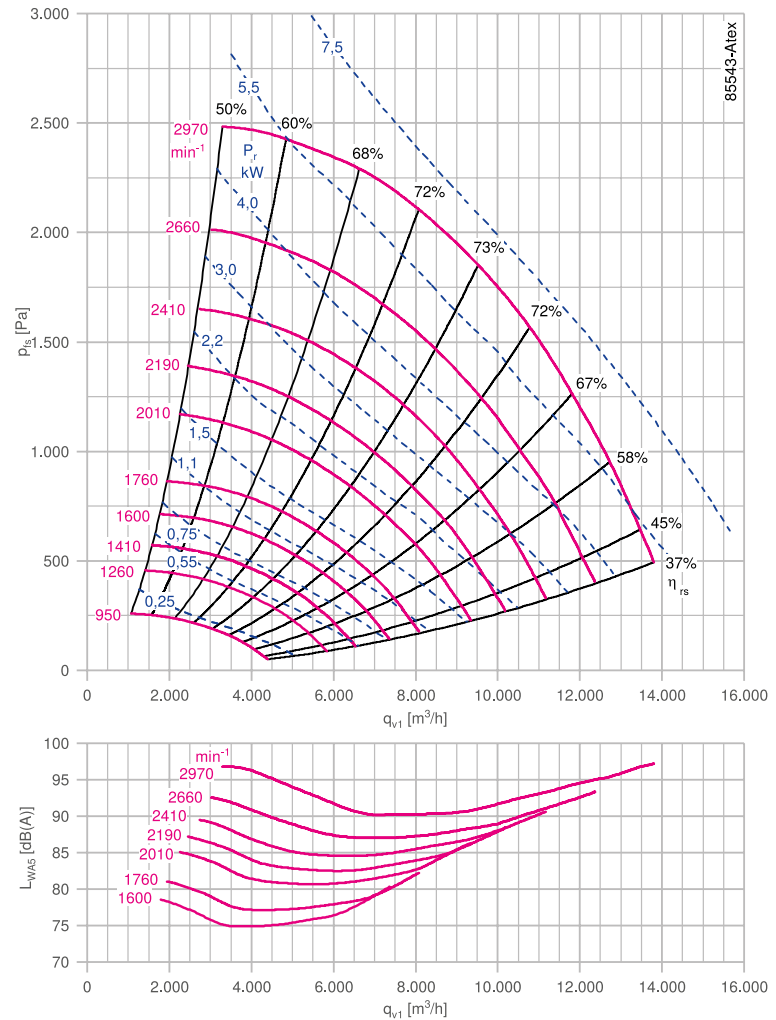
Description

Plug fan with high performance centrifugal impeller
Impeller made of bright sheet metal powder-coated
resistance class 2 (L-TI-0585) RAL 9005 (jet black)
Inlet nozzle with measuring device for air flow measurement
Fitting position H (horizontal)
Rated voltage U_N : 3~ 400 V
Rated frequency f_N : 50 Hz
Motor protection: PTC resistor
Degree of protection: IP56
Thermal class: THCL155
Min. permitted medium temperature $t_{R(min)}$: -20 °C
Max. permitted medium temperature $t_{R(max)}$ at n_{max} : 40 °C Ex
marking fan (mechanical): II 2G c IIB T4
Ex marking motor (electrical): II 2G Ex h IIB T4 Gb

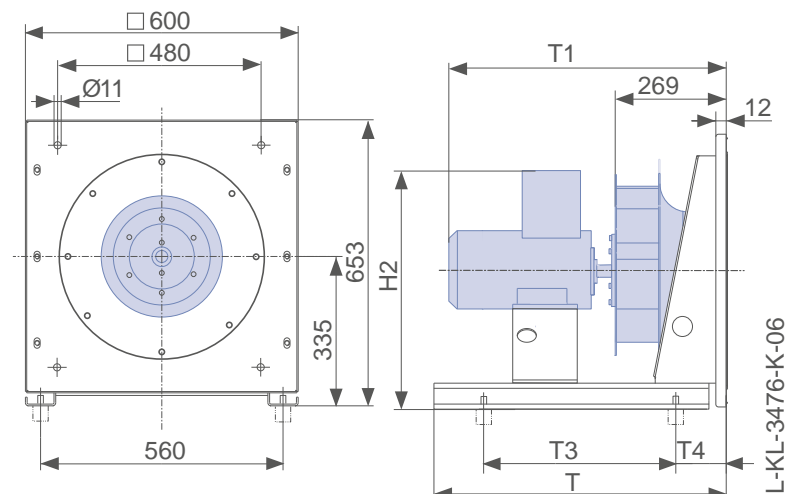
Nozzle coefficients

Standard k	197
With guard grille k_g	173

Characteristic curve



Dimensions mm



L-KL-3476-K-06



C-ATEX-ZAmotbasicEx IE3								
Rated power	Type	Article no.	Motor size	Motor efficiency	Rated current	Rated speed	Maximum speed	Maximum frequency
P_N kW				η_{mot} %	I_N A	n_N rpm	n_{max} rpm	f_{max} Hz
1.1	ER45C-4DY.D7.1R	130582/EX41	090L/S	84.5	2.35	1450	1600	55
1.5	ER45C-4DY.D7.1R	130583/EX41	090L/S	85.5	3.21	1445	1760	61
2.2	ER45C-4DY.E7.1R	130584/EX41	100L	87.0	4.62	1435	2010	70
3.0	ER45C-4DY.E7.1R	130585/EX41	100L	88.0	6.15	1440	2190	76
4.0	ER45C-4DY.F7.1R	130586/EX41	112M	88.8	8.34	1450	2410	83
5.5	ER45C-4DY.G7.1R	130587/EX41	132S/M	89.7	10.40	1460	2660	91
7.5	ER45C-2DY.G7.1R	130588/EX41	132S/M	90.3	14.10	2935	2970	51

P_N kW	Type	Weight kg	T mm	T1 mm	T3 mm	T4 mm	H2 mm	Flexible connector	Guard grille	Vibration damper		Frequency inverters 3~
										Spring	Rubber	
1.1	ER45C-4DY.D7.1R	76.00	562	639	420	115	535	00406432	00412704	02021197	00090144	308228
1.5	ER45C-4DY.D7.1R	73.00	562	639	368	115	535	00406432	00412704	02021197	00090144	308230
2.2	ER45C-4DY.E7.1R	83.00	615	683	420	115	548	00406432	00412704	02021198	00090144	308232
3.0	ER45C-4DY.E7.1R	93.00	615	683	420	115	548	00406432	00412704	02021198	02000124	308234
4.0	ER45C-4DY.F7.1R	103.00	712	701	525	115	561	00406432	00412704	02021198	02000124	308236
5.5	ER45C-4DY.G7.1R	139.00	712	749	571	115	582	00406432	00412704	02021199	02000124	308265
7.5	ER45C-2DY.G7.1R	147.00	712	749	571	115	582	00406432	00412704	02021199	02000124	308267