

C-ATEX plug fan – ZAmotbasicEx
IE3 2022

Centrifugal fans main catalogue with IEC standard motor
IE3 2022

C-ATEX plug fan

ER40C

Motor ZAmotbasicEx IE3



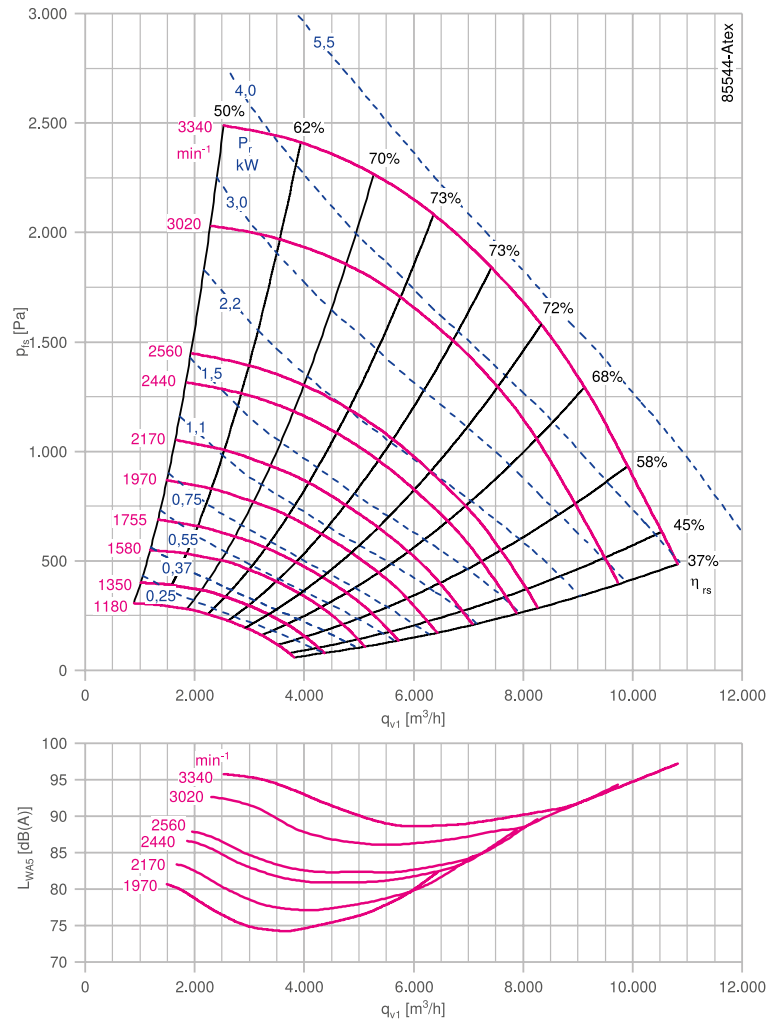
Description

Plug fan with high performance centrifugal impeller
 Impeller made of bright sheet metal powder-coated resistance class 2 (L-TI-0585) RAL 9005 (jet black)
 Inlet nozzle with measuring device for air flow measurement
 Fitting position H (horizontal)
 Rated voltage U_N : 3~ 400 V
 Rated frequency f_N : 50 Hz
 Motor protection: PTC resistor
 Degree of protection: IP56
 Thermal class: THCL155
 Min. permitted medium temperature $t_{R(min)}$: -20 °C
 Max. permitted medium temperature $t_{R(max)}$ at n_{max} : 40 °C
 Ex marking fan (mechanical): II 2G c IIB T4
 Ex marking motor (electrical): II 2G Ex h IIB T4 Gb

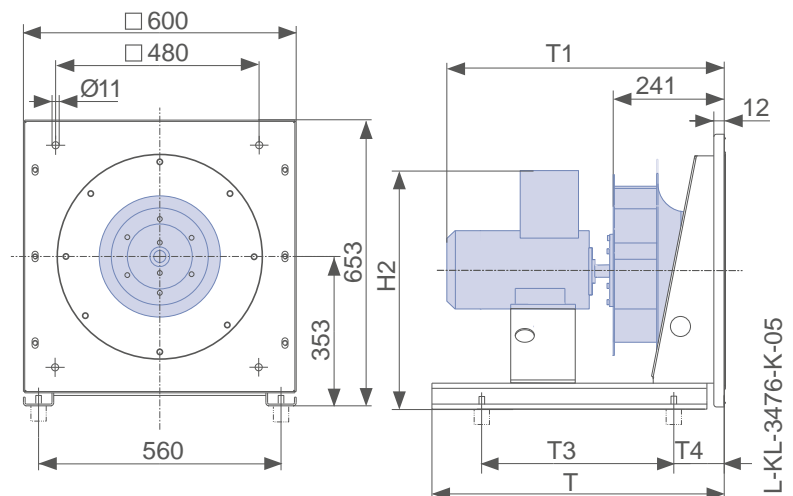
Nozzle coefficients

| | |
|-------------------------|-----|
| Standard k | 154 |
| With guard grille k_g | 135 |

Characteristic curve



Dimensions mm



| C-ATEX-ZAmotbasicEx IE3 | | | | | | | | |
|----------------------------|---------------------------------|-----------------------------|------------|---------------------------------------|-----------------------------|-----------------------------|-----------------------------------|--------------------------------------|
| Rated power P_N kW | Type | Article no. | Motor size | Motor efficiency η_{mot} % | Rated current I_N A | Rated speed n_N rpm | Maximum speed n_{max} rpm | Maximum frequency f_{max} Hz |
| 1.1 | ER40C-4DY.D7.1R | 130589/EX41 | 090L/S | 84.5 | 2.35 | 1450 | 1970 | 68 |
| 1.5 | ER40C-4DY.D7.1R | 130590/EX41 | 090L/S | 85.5 | 3.21 | 1445 | 2170 | 75 |
| 2.2 | ER40C-4DY.E7.1R | 130591/EX41 | 100L | 87.0 | 4.62 | 1435 | 2440 | 85 |
| 3.0 | ER40C-4DY.E7.1R | 130592/EX41 | 100L | 88.0 | 6.15 | 1440 | 2563 | 89 |
| 4.0 | ER40C-2DY.F7.1R | 130593/EX41 | 112M | 88.4 | 7.59 | 2900 | 3020 | 52 |
| 5.5 | ER40C-2DY.G7.1R | 130594/EX41 | 132S/M | 89.4 | 10.60 | 2940 | 3340 | 57 |

| P_N kW | Type | Weight kg | T mm | T1 mm | T3 mm | T4 mm | H2 mm | Flexible connector | Guard grille | Vibration damper | | Frequency inverters 3~ |
|-------------|---------------------------------|--------------|---------|----------|----------|----------|----------|--------------------|--------------|------------------|----------|------------------------|
| | | | | | | | | | | Spring | Rubber | |
| 1.1 | ER40C-4DY.D7.1R | 71.00 | 562 | 605 | 420 | 115 | 535 | 00406432 | 00412703 | 02021198 | 00090144 | 308228 |
| 1.5 | ER40C-4DY.D7.1R | 68.00 | 562 | 605 | 368 | 115 | 535 | 00406432 | 00412703 | 02021198 | 00090144 | 308230 |
| 2.2 | ER40C-4DY.E7.1R | 78.00 | 562 | 649 | 420 | 115 | 548 | 00406432 | 00412703 | 02021198 | 00090144 | 308232 |
| 3.0 | ER40C-4DY.E7.1R | 88.00 | 562 | 649 | 420 | 115 | 548 | 00406432 | 00412703 | 02021198 | 00090144 | 308234 |
| 4.0 | ER40C-2DY.F7.1R | 100.00 | 712 | 667 | 473 | 115 | 561 | 00406432 | 00412703 | 02021199 | 00090144 | 308236 |
| 5.5 | ER40C-2DY.G7.1R | 136.00 | 712 | 720 | 571 | 115 | 582 | 00406432 | 00412703 | 02021199 | 00090144 | 308265 |