

C-ATEX plug fan – ZAmotbasicEx

Centrifugal fans main catalogue with IEC standard motor

# C-ATEX plug fan

ER31C

Motor ZAmotbasicEx IE3



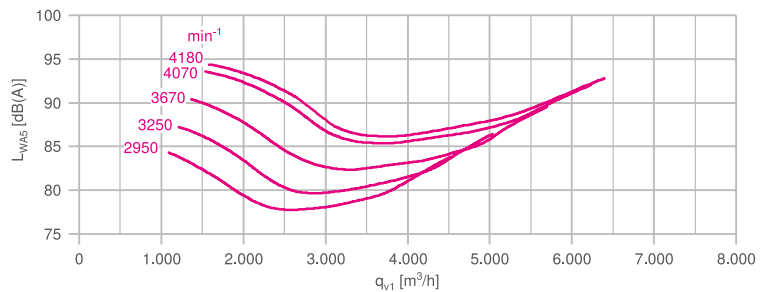
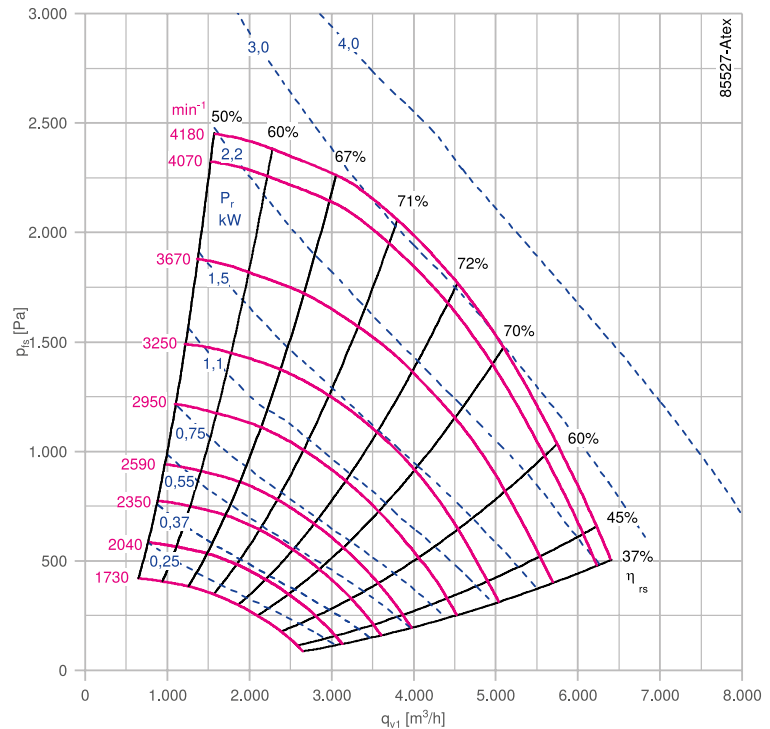
## Description

Plug fan with high performance centrifugal impeller  
 Impeller made of bright sheet metal powder-coated  
 resistance class 2 (L-TI-0585) RAL 9005 (jet black)  
 Inlet nozzle with measuring device for air flow measurement  
 Fitting position H (horizontal)  
 Rated voltage  $U_N$ : 3~ 400 V  
 Rated frequency  $f_N$ : 50 Hz  
 Motor protection: PTC resistor  
 Degree of protection: IP56  
 Thermal class: THCL155  
 Min. permitted medium temperature  $t_{R(min)}$ : -20 °C  
 Max. permitted medium temperature  $t_{R(max)}$  at  $n_{max}$ : 40 °C Ex  
 marking fan (mechanical): II 2G c IIB T4  
 Ex marking motor (electrical): II 2G Ex h IIB T4 Gb

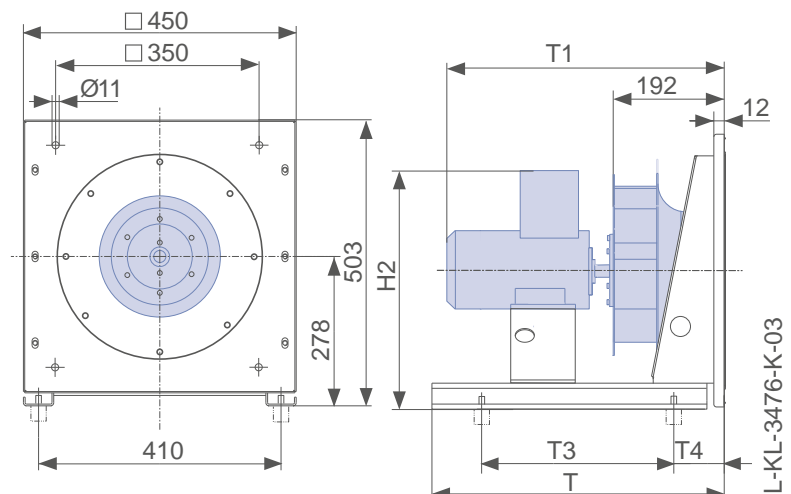
## Nozzle coefficients

Standard k	95
With guard grille $k_g$	83

Characteristic curve



Dimensions mm



L-KL-3476-K-03



### C-ATEX-ZAmotbasicEx IE3

Rated power $P_N$ kW	Type	Article no.	Motor size	Motor efficiency $\eta_{mot}$ %	Rated current $I_N$ A	Rated speed $n_N$ rpm	Maximum speed $n_{max}$ rpm	Maximum frequency $f_{max}$ Hz
1.10	<a href="#">ER31C-2DY.B7.1R</a>	<a href="#">130599/EX41</a>	080M	83.0	2.33	2835	2950	52
1.50	<a href="#">ER31C-2DY.D7.1R</a>	<a href="#">130600/EX41</a>	090L/S	84.2	3.10	2900	3250	56
2.20	<a href="#">ER31C-2DY.D7.1R</a>	<a href="#">130601/EX41</a>	090L/S	86.3	4.43	2870	3670	64
3.00	<a href="#">ER31C-2DY.E7.1R</a>	<a href="#">130602/EX41</a>	100L	87.3	5.77	2910	4070	70
4.00	<a href="#">ER31C-2DY.F7.1R</a>	<a href="#">130603/EX41</a>	112M	88.4	7.59	2900	4180	72

$P_N$ kW	Type	Weight kg	T mm	T1 mm	T3 mm	T4 mm	H2 mm	Flexible connector	Guard grille	Vibration damper		Frequency inverters 3~
										Spring	Rubber	
1.10	<a href="#">ER31C-2DY.B7.1R</a>	42.00	562	493	420	60	441	00406431	00412701	02021196	00090144	308228
1.50	<a href="#">ER31C-2DY.D7.1R</a>	60.00	562	557	473	60	460	00406431	00412701	02021197	00090144	308230
2.20	<a href="#">ER31C-2DY.D7.1R</a>	63.00	562	557	473	60	460	00406431	00412701	02021197	00090144	308232
3.00	<a href="#">ER31C-2DY.E7.1R</a>	69.00	562	601	473	60	473	00406431	00412701	02021197	00090144	308234
4.00	<a href="#">ER31C-2DY.F7.1R</a>	90.00	562	619	473	60	486	00406431	00412701	02021198	00090144	308236

Information

ZAbbluefin

Cpro

C

C-ATEX

Impellers with hub

System components

Control technology

General notes