

C-ATEX plug fan – ZAmotbasicEx

Centrifugal fans main catalogue with IEC standard motor

C-ATEX plug fan

ER28C

Motor ZAmotbasicEx IE3



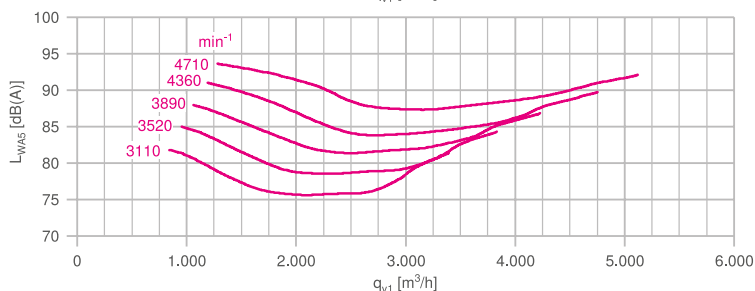
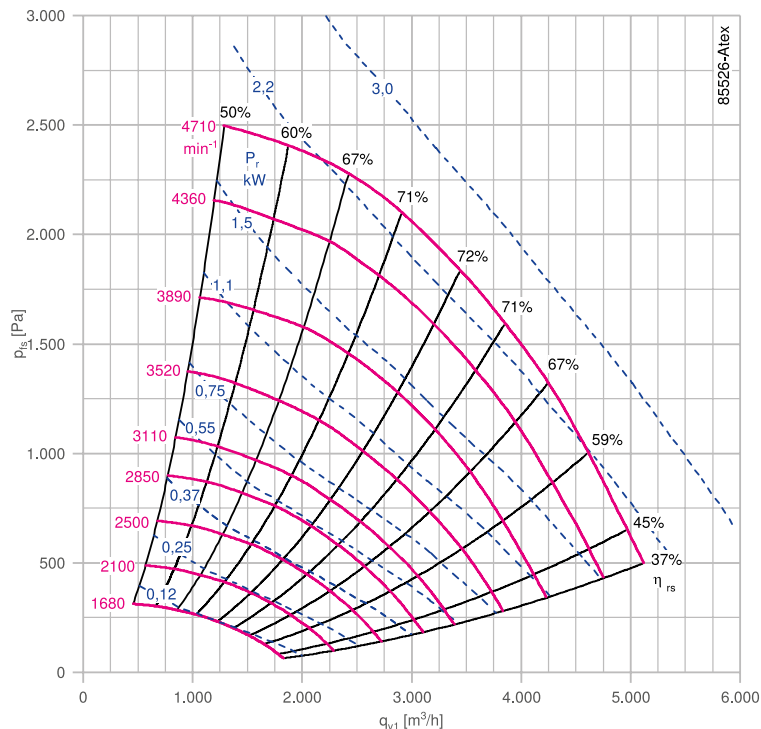
Description

Plug fan with high performance centrifugal impeller
 Impeller made of bright sheet metal powder-coated
 resistance class 2 (L-TI-0585) RAL 9005 (jet black)
 Inlet nozzle with measuring device for air flow measurement
 Fitting position H (horizontal)
 Rated voltage U_N : 3~ 400 V
 Rated frequency f_N : 50 Hz
 Motor protection: PTC resistor
 Degree of protection: IP56
 Thermal class: THCL155
 Min. permitted medium temperature $t_{R(min)}$: -20 °C
 Max. permitted medium temperature $t_{R(max)}$ at n_{max} : 40 °C Ex
 marking fan (mechanical): II 2G c IIB T4
 Ex marking motor (electrical): II 2G Ex h IIB T4 Gb

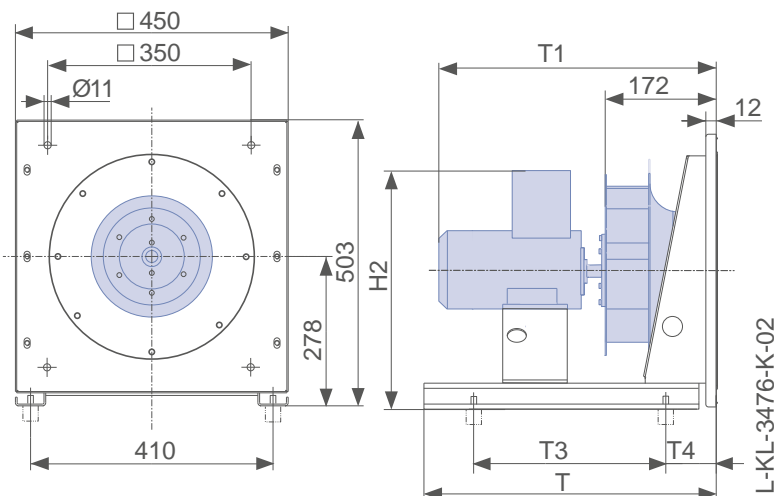
Nozzle coefficients

Standard k	75
With guard grille k_g	66

Characteristic curve



Dimensions mm



C-ATEX-ZAmotbasicEx IE3

Rated power P_N kW	Type	Article no.	Motor size	Motor efficiency η_{mot} %	Rated current I_N A	Rated speed n_N rpm	Maximum speed n_{max} rpm	Maximum frequency f_{max} Hz
0.75	ER28C-2DY.B7.1R	130604/EX41	080M	81.0	1.63	2825	3110	55
1.10	ER28C-2DY.B7.1R	130605/EX41	080M	83.0	2.33	2835	3520	62
1.50	ER28C-2DY.D7.1R	130606/EX41	090L/S	84.2	3.10	2900	3890	67
2.20	ER28C-2DY.D7.1R	130607/EX41	090L/S	86.3	4.43	2870	4360	76
3.00	ER28C-2DY.E7.1R	130608/EX41	100L	87.3	5.77	2910	4710	81

P_N kW	Type	Weight kg	T mm	T1 mm	T3 mm	T4 mm	H2 mm	Flexible connector	Guard grille	Vibration damper		Frequency inverters 3~
										Spring	Rubber	
0.75	ER28C-2DY.B7.1R	40.00	562	473	368	60	441	00406431	00412700	02021196	00090144	308228
1.10	ER28C-2DY.B7.1R	41.00	562	473	420	60	441	00406431	00412700	02021197	00090144	308228
1.50	ER28C-2DY.D7.1R	59.00	562	537	420	60	460	00406431	00412700	02021197	00090144	308230
2.20	ER28C-2DY.D7.1R	62.00	562	537	420	60	460	00406431	00412700	02021197	00090144	308232
3.00	ER28C-2DY.E7.1R	68.00	562	581	420	60	473	00406431	00412700	02021197	00090144	308234

Information

ZAbbluefin

Cpro

C

C-ATEX

Impellers with hub

System components

Control technology

General notes

