

Add-on modules

AM-MODBUS (-W) for Basic Frequency inverter and ECblue



Pluggable add-on modules for function extension of the "Icontrol Basic" and "Fcontrol Basic" frequency inverters without integrated display as well as ECblue motors and fans. With the AM-MODBUS/-W add-on modules, the devices can be integrated into MODBUS networks or the A-G-247NW operating terminal can be connected. Parametrisation and data retrieval via radio (with AM-MODBUS-W) is optionally possible. Whole groups of frequency inverters or ECblue motors and fans, which are equipped with these AM-MODBUS add-on modules, can be addressed quickly and automatically by means of a ZIEHL-ABEGG UNIcon control module with MODBUS master function. These devices are then controlled conveniently by the UNIcon "master" device.

Equipment/properties

2 x interface RS485:

For integration into a MODBUS RTU network (MODBUS Slave). With the possibility of automatic addressing by a UNIcon control module with MODBUS-Master function.

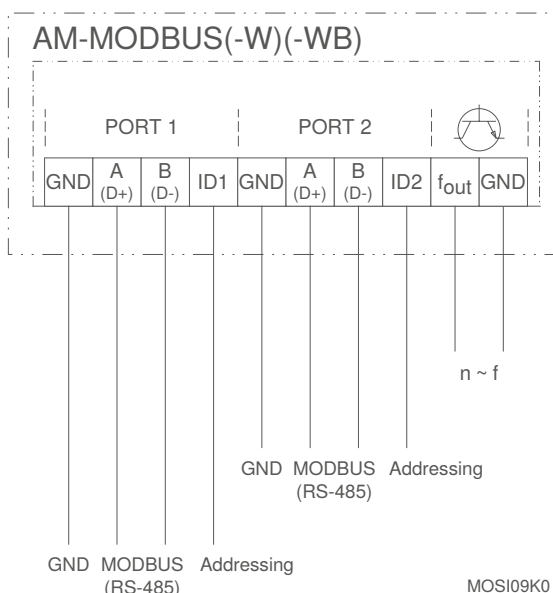
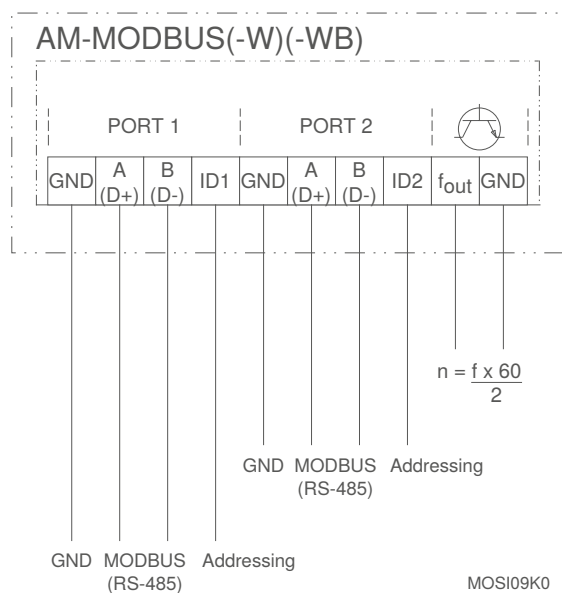
Add-on module - AM-MODBUS (-W)

Type	Article no.	Weight kg
AM-MODBUS	349045	0.03

Add-on module - AM-MODBUS (-W) (2nd edition)

Type	Article no.	Weight kg
AM-MODBUS	349087	0.03

Connection diagram



Add-on modules

AM-MODBUS-WB for Basic Frequency inverter and ECblue fans



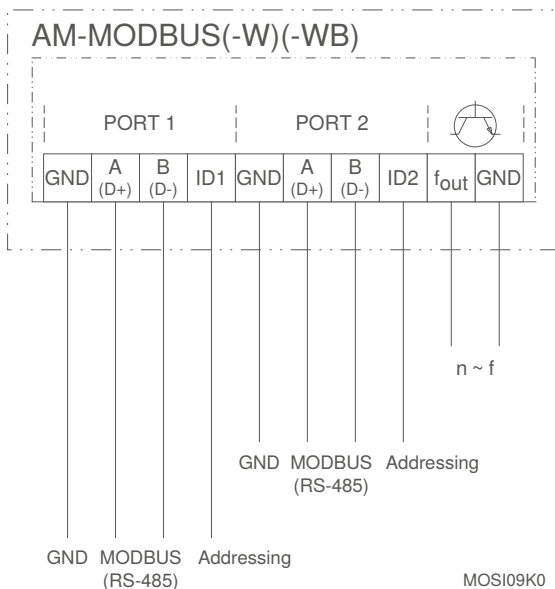
Pluggable add-on modules for function extensions of the "Icontrol Basic" and "Fcontrol Basic" frequency inverters without an integrated display, as well as ECblue motors and fans. With the AM-MODBUS-WB add-on modules, access to the respective frequency inverter or ECblue fan can take place wirelessly using Bluetooth. For this purpose, the ZIEHL-ABEGG "Zaset mobile" app for mobile terminals is available in the Android and IOS Store.

The devices can be integrated into MODBUS networks with the AM-MODBUS-WB add-on modules. Whole groups of frequency inverters or ECblue motors and fans, which are equipped with these AM-MODBUS-WB add-on modules, can be addressed quickly and automatically by means of a ZIEHL-ABEGG UNIcon control module with MODBUS master function. These devices are then controlled conveniently by the UNIcon "master" device.



Add-on module - AM-MODBUS-WB		
Type	Article no.	Weight
AM-MODBUS-WB	349077	kg 0.04

Connection diagram



Add-on modules

AM-PREMIUM (-W) for Basic Frequency inverter and ECblue



Pluggable add-on modules for function extension of the "Icontrol Basic" and "Fcontrol Basic" frequency inverters without integrated display as well as ECblue motors and fans.

With the AM-PREMIUM/-W add-on modules, the devices can be functionally extended as a control unit. In addition, it is possible to link to MODBUS networks or connect operating terminals (A-G-247NW / AXG-1A / AXG-1AE). Radio parameterization and data polling (with AM-PREMIUM-W) is also possible as an option.

Input for sensors or speed settings through



Setting of the desired speed through device or by external default, e.g. 0...10 V



Connecting pressure sensors (refrigeration), e.g. type MBG.. sensors, measuring range 0...30 bar, 0...50 bar



Connection of thermistors, e.g. sensors type TF.. e.g. active sensor type MTG..



Connecting differential pressure sensors (air conditioning), e.g. type MPG.. sensors, measuring range 0...6000 Pa, acquisition of volume flows up to 65000 m³/h

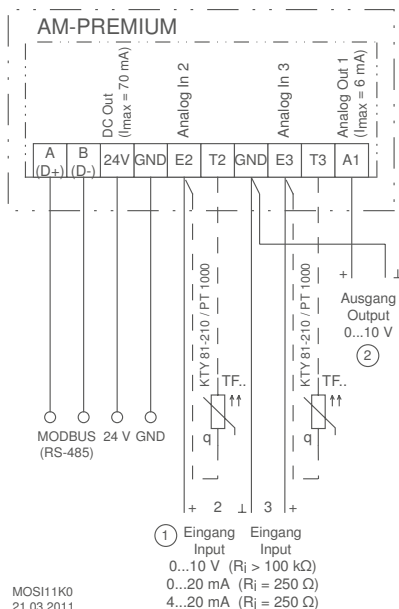


Connecting air velocity sensors, e.g. type MAL.. sensors, measuring range 0...1 m/s, 0...10 m/s



Connecting additional sensors, e.g. combination sensors, CO₂, sensor signal 0...10 V / 0...20 mA / 4...20 mA

Connection diagram



MOSI11K0
21.03.2011

Equipment/properties

Easy startup via operating modes:

When an operating terminal is connected to the AM-PREMIUM add-on module plugged into the frequency inverter (for AM-PREMIUM-W via radio), typical operating modes, such as for air conditioning, refrigeration or ventilation technology, can be selected.

2 analogue inputs for sensors or signal setting:

Analogue input E2 and E3: Setting by operating modes or manually programmable, e.g. 0-10 V, 0.20 mA, 4-20 mA

Analogue input E3: Programmable, e.g. comparison with sensor E2, difference to sensor E2, average value formation, setpoint setting, setpoint adaptation (e.g. outside temperature-dependent), connection of passive temperature sensors: On E2 and T2, E3 and T3.

1 analogue output A1:

Setting by operating modes or manually programmable, e.g. output signal proportional to modulation, output signal proportional to input signal, invertible, 10 V constant voltage, group control

Functional extension: Digital input D1 in base unit:

Programmable, e.g. enable, switch over setpoint 1 or 2, switch over control or manual mode, switch over E2 or E3, control mode reversal, output limitation, external fault, reset, direction of rotation reversal

Functional extension: Digital output K1 in base unit:

Setting by operating modes or manually programmable, e.g. operating indication, fault indication, limits, external fault at digital input, activation of external devices, e.g. heating, dampers, group control fans, etc.

1 x RS485 interface:

For integration into a MODBUS RTU network (MODBUS Slave). Manual addressing of devices in the network.

Add-on module AM-PREMIUM (-W)		
Type	Article no.	Weight
		kg
AM-PREMIUM	349046	0.03

- Information
- ZAbluefin
- Cpro
- C
- C-ATEX
- Impellers with hub
- System components
- Control technology
- General notes

Add-on modules

AM-AMPsignal for Basic Frequency inverter and ECblue fans



Pluggable add-on modules for function extension of the "Icontrol Basic" and "Fcontrol Basic" frequency inverters without integrated display as well as ECblue motors and fans.

The add-on module AM-AMPsignal transforms a current signal (0-20 mA, 4-20 mA) into a voltage signal (0-10 V). Several basic frequency inverters or ECblue fans can then be controlled by the 0-10 V input.

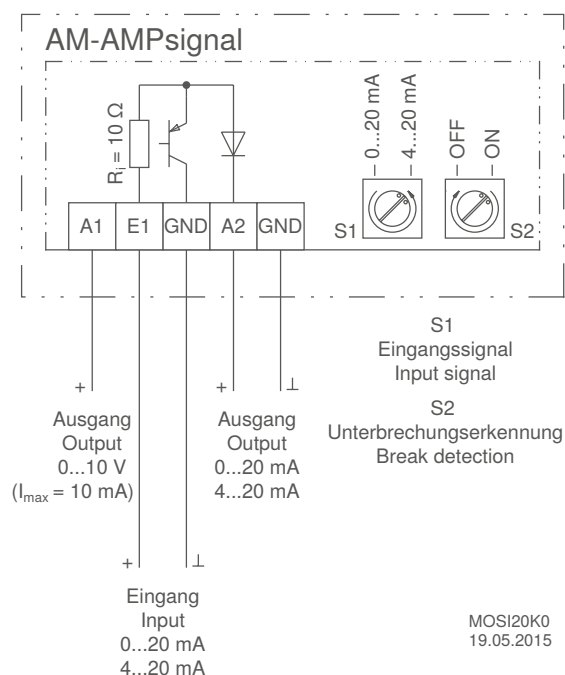
Equipment/properties

2 integrated rotary switches

Setting input signal (4-20mA, 0-20mA) by rotary switch "S1".
Setting fractured wire detection (detection active, not active) by rotary switch "S2".

Add-on module AM-AMPsignal		
Type	Article no.	Weight
AM-AMPsignal	349065	kg 0.03

Connection diagram



Add-on modules

AM-ETHERCAT for Basic Frequency inverter and ECblue



Pluggable add-on modules for function extension of the "Icontrol Basic" and "Fcontrol Basic" frequency inverters without integrated display as well as ECblue motors and fans. With the AM-ETHERCAT add-on modules the frequency inverters or ECblue fans can be integrated into EtherCat networks.

A device master data filed (ESI file) is required for integration of the device into an EtherCat network. If there is any doubt about the use or procurement of the ESI file for this add-on module, our Control Technology Support Department will be very glad to help.

Equipment/properties

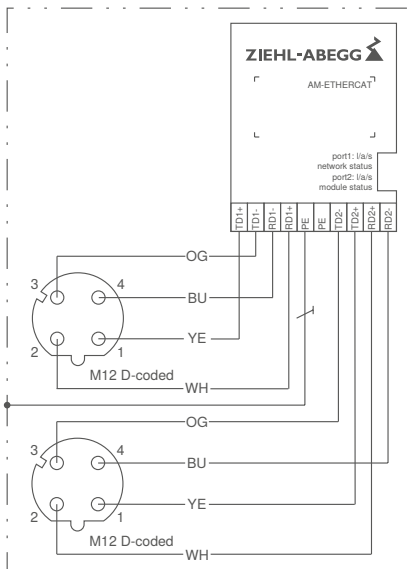
4 integrated LED

For status display and error message:
 Network status, status module, status port 1 / port 2.

Add-on module AM-ETHERCAT

Type	Article no.	Weight kg
AM-ETHERCAT	349071	0.03

Connection diagram



KT00048C
 12.08.2015

Add-on modules

AM-BACNET for Basic frequency inverters and ECblue fans



Pluggable add-on modules for function extension of the "Icontrol Basic" and "Fcontrol Basic" basic frequency inverters without integrated display as well as ECblue fans.

With AM-BACNET add-on modules, the frequency inverters or ECblue fans can be integrated into BACNET networks.



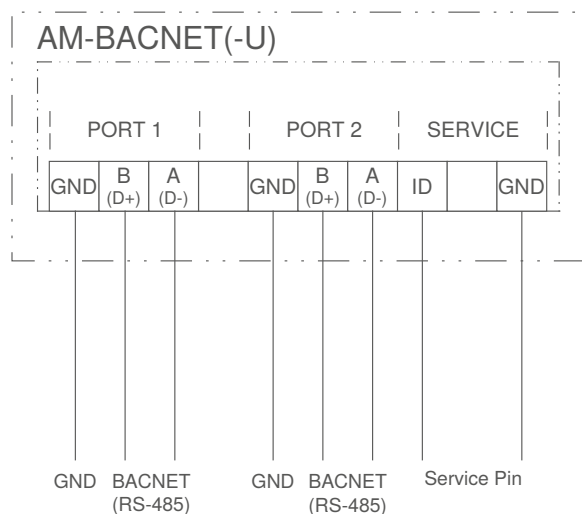
Equipment/properties

4 integrated LED

For status display and error message

Add-on module AM-BACNET		
Type	Article no.	Weight
AM-BACNET	349084	0.03 kg

Connection diagram



MOSI24K0
17.10.2018



Add-on modules

AM-CAN-OPEN for Basic Frequency inverter and ECblue



Pluggable add-on modules for function extension of the "Icontrol Basic" and "Fcontrol Basic" frequency inverters without integrated display as well as ECblue motors and fans. With the AM-CAN-OPEN add-on modules, the devices can be integrated into CANopen networks.

An electronic data sheet (EDS file) is required to integrate the device into a CANopen network. This is provided free of charge by our Control Technology Support Department.

Equipment/properties

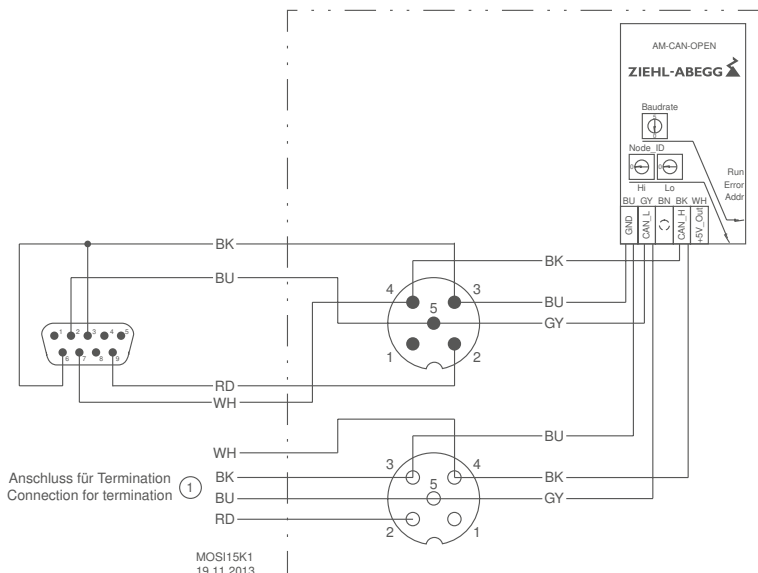
3 integrated LEDs
 For status display and error messages.

3 integrated rotary switches
 2 rotary switches for manual address setting.
 1 rotary switch for setting the baud rate



Add-on module - AM-CAN-OPEN		
Type	Article no.	Weight
AM-CAN-OPEN	349064	0.03 kg

Connection diagram



Add-on modules

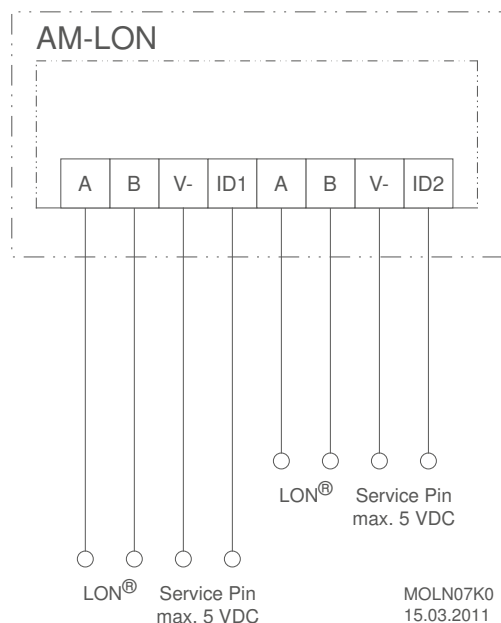
AM-LON for Basic Frequency inverter and ECblue



Pluggable add-on modules for function extension of the "lcontrol Basic" and "Fcontrol Basic" frequency inverters without integrated display as well as ECblue motors and fans. With the AMLON add-on modules, the devices can be integrated into LON networks.

Add-on module - AM-LON		
Type	Article no.	Weight
AM-LON	349049	kg 0.03

Connection diagram



Add-on modules

AM-PROFIBUS (-PD) for Basic Frequency inverter and ECblue



Pluggable add-on modules for function extension of the "Icontrol Basic" and "Fcontrol Basic" without integrated display as well as ECblue motors and fans.

With the AM-PROFIBUS add-on modules the devices can be integrated into PROFIBUS networks. The AM-PROFIBUS-PD is used for integration into PROFIBUS-PD (Powerdrive) networks. A device master data file (GSD file) is required for integration of the device into the PROFIBUS network. This is provided free by our Control Engineering Support Department.

Equipment/properties

3 integrated LEDs

For status display and error message.

2 integrated rotary switches

For manual address setting.

Automatic baud rate detection

Optionally available connectors

Plug with connecting wires 80 mm:

5-pole, M12, wall installation M16, Article No. 00161258

5-pole, M12, wall installation M20, Article No. 00161263

Socket with connecting wires 80 mm:

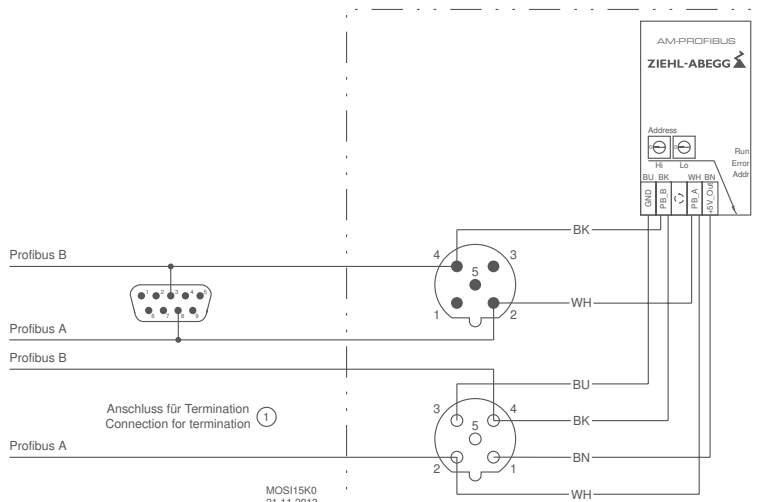
5-pole, M12, wall installation M16, Article No. 00161259

5-pole, M12, wall installation M20, Article No. 00161264

Add-on module AM-PROFIBUS

Type	Article no.	Weight kg
AM-PROFIBUS	349063	0.03
AM-PROFIBUS-PD	349103	0.03

Connection diagram



MOSI15K0
21.11.2013

Add-on modules

AM-PROFINET for Basic Frequency inverter and ECblue fans



Pluggable add-on modules for function extension of the “Icontrol Basic” and “Fcontrol” and “Fcontrol Basic” without integrated display (as well as ECblue motors and fans).
With the AM-PROFINET add-on modules the frequency inverters or ECblue fans can be integrated into PROFINET networks.

A device master data file (GSD file) is required for integration of the device into the PROFINET network. If there is any doubt about the use or procurement of the GSD file for this add-on module, our Control Engineering Support Department will be very glad to help.



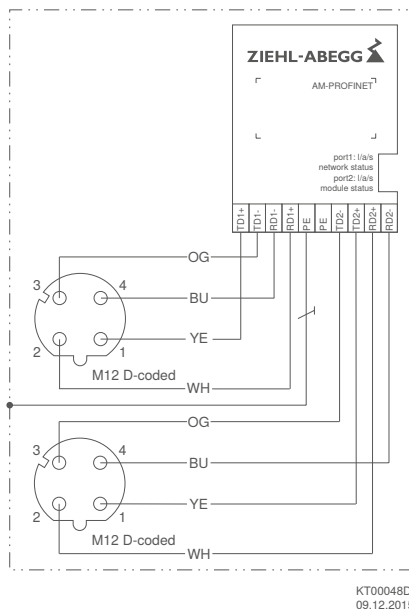
Equipment/properties

4 integrated LED

For status display and error message:
Network status, status module, status port 1 / port 2.

Add-on module AM-PROFINET		
Type	Article no.	Weight
AM-PROFINET	349072	0.03 kg

Connection diagram



Information

ZAbbluefin

Cpro

C

C-ATEX

Impellers with hub

System components

Control technology

General notes

