

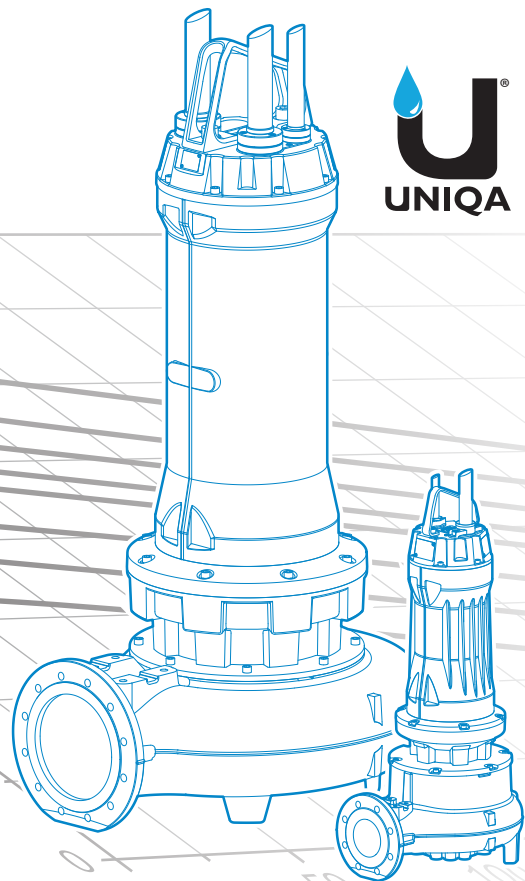


water solutions

50Hz

UNIQA series

- ZUG V
- ZUG OC
- ZUG GR
- ZUG HP
- ZUG CP



D A T A B O O K L E T



water solutions

UNIQA series



D A T A B O O K L E T



Table of content

Models with **VORTEX** impeller

ZUG V 065A	8
ZUG V 080A	10
ZUG V 080B	12
ZUG V 080C	14
ZUG V 080D - 2p	16
ZUG V 080D - 4p	18
ZUG V 080E	20
ZUG V 080H	22
ZUG V 100A	24
ZUG V 100B	26
ZUG V 100G	28
ZUG V 150A	30

Models with **OPEN CHANNEL** impeller

ZUG OC 065A	32
ZUG OC 065B	34
ZUG OC 080A	36
ZUG OC 080B	38
ZUG OC 080D	40
ZUG OC 080E	42
ZUG OC 080G - 2p	44
ZUG OC 080G - 4p	46
ZUG OC 080H - 4p	48
ZUG OC 080H - 6p	50
ZUG OC 080N	52
ZUG OC 100A	54
ZUG OC 100B	56
ZUG OC 100E	58
ZUG OC 100F	60
ZUG OC 100H	62
ZUG OC 100J	64
ZUG OC 100L	66
ZUG OC 100U	68
ZUG OC 100Y	70
ZUG OC 101G	72
ZUG OC 150A	74
ZUG OC 150D	76
ZUG OC 150F	78
ZUG OC 150G - 4p	80
ZUG OC 150G - 6p	82
ZUG OC 150N	84
ZUG OC 150R	86
ZUG OC 200A	88
ZUG OC 200B - 4p	90
ZUG OC 200B - 6p	92
ZUG OC 250C	94
ZUG OC 250H - 4p	96
ZUG OC 250H - 6p	98
ZUG OC 250K	100

Models with **GRINDER** impeller

ZUG GR 050A	102
ZUG GR 050B	104

Models with **HIGH HEAD** impeller

ZUG HP 050A	106
ZUG HP 050B	108

Models with **CHOPPER** impeller

ZUG CP 100F - 2p	110
ZUG CP 100F - 4p	112

ZENIT UNIQA high performances submersible pumps

ZENIT UNIQA submersible electric pumps. Designed for heavy-duty professional applications, they are used in civil and industrial wastewater treatment plants, lifting sewage, pumping industrial sludges and rainwater containing solids, and recycling raw or activated sludges and biological liquids.

ZENIT UNIQA series motors are designed with the aim of achieving the Premium (IE3) efficiency class according to EN 60034-30.



Available hydraulics

All hydraulic components are designed to provide highest efficiency and best performance combined with wide free passage. All the impellers are available in cast iron, stainless steel or bronze/aluminium.



VORTEX impeller

with full free passage.

Suggested applications:

- Biological liquids and wastewater
- Suitable for civil pumping stations and lifting wastewaters in livestock farms and industrial plants



OPEN CHANNEL impeller

high performance with wide free passage.

Suggested applications:

- Liquids containing suspended solids
- Suitable for sewage and drainage systems and first rainfall tanks

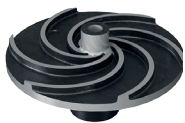


GRINDER impeller

Grinding system with rotary knife

Suggested applications:

- Soiled liquids containing fibres and filaments
- Suitable for heavy-duty applications



HIGH HEAD impeller

Cast iron multi-channel open impeller with high manometric head

Suggested applications:

- Clean, rain and seepage water
- Suitable for applications in agriculture, irrigation and fish farming



CHOPPER impeller

Multi-channel Impeller in cast-iron with special Molib-Tech™ treatment and chopper system

Suggested applications:

- Liquids containing solid parts and fibres
- Suitable for sewage, lifting of not strained black

All models with open-channel impeller have an axial adjustment system that maintains the impeller's balance for unchanged pump performance even at first signs of wear.

The **ACS (Anti-Clogging System)** consists of a spiral groove of suitable depth cut into the pump body.

This prevents clogging of the impeller even with highly fouled liquids, allows stringy items to be pulled out or unwound and renders the hydraulics **clogging-proof**.

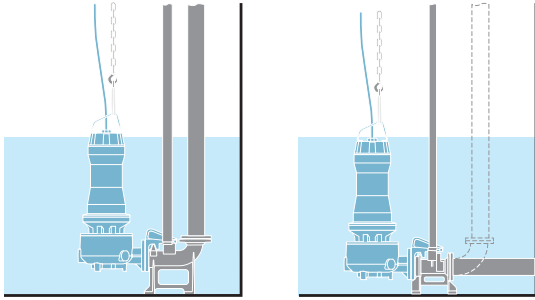


UNIQA series

Installation types

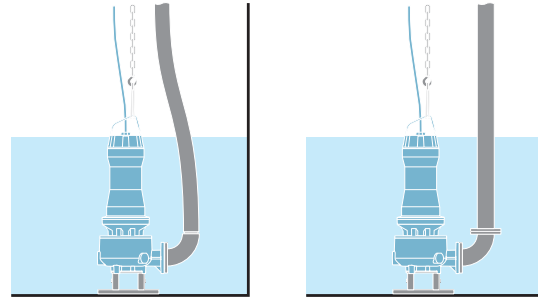
Type P

Installation with coupling device with vertical (DAC V) or horizontal (DAC H) discharge. Flushing valve (FLX) admitted.



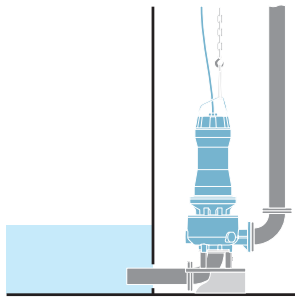
Type S

Free installation with base (KBS). Flushing valve (FLX) admitted.



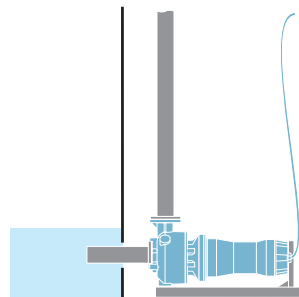
Type T

Vertical installation in dry chamber with curved base (KBC).



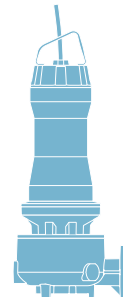
Type Z

Horizontal installation in dry chamber with metallic base (KBS-H).



Type X

Undefined installation.



Available drilling variants

Installation type	Drilling variant	Accessory required	Discharge flange drilling (*)	Suction flange drilling (*)	KBS drilling	KBS-H drilling	FLX drilling
P	PA	DAC V	☒				
	PF		☒				☒
	PA	DAC H	☒				
	PF		☒				☒
S	SA	KBS	☒		☒		
	SF		☒		☒		☒
T	TA	KBC	☒	☒			
	TJ	KBC + KBS	☒	☒	☒		
Z	ZA	KBS-H	☒	☒		☒	
	ZJ	KBS-H	☒			☒	
X	XA	DAC-KBC	☒	☒			
	XB	DAC-KBC-KBS	☒	☒	☒		
	XC	DAC-KBC-KBS-KBS-H	☒	☒	☒	☒	
	XE	DAC-KBC-KBS-FLX	☒	☒	☒		☒

(*) EN 1092-2 Tab.8 (PN10)

Key to product code

TYPE

ZUG V 080 B 18.5/2 A W 194 X A

- | | | |
|---|---|--|
| ① Product name
ZU = Zenit UNIQA | ③ Type of impeller
OC = open channel
V = vortex
GR = grinder
HP = high pressure | ⑦ Motor poles |
| ② Construction material
G = Cast iron
B = Bronze
X = Stainless steel | ④ Discharge port diameter in mm | ⑧ Motor variant |
| | ⑤ Hydraulic variant | ⑨ Operating mode
D = Dry
W = Wet |
| | ⑥ Power in kW | ⑩ Nominal diameter of impeller (in mm) |
| | | ⑪ Type of installation |
| | | ⑫ Holes for installation/accessories |

VERSION

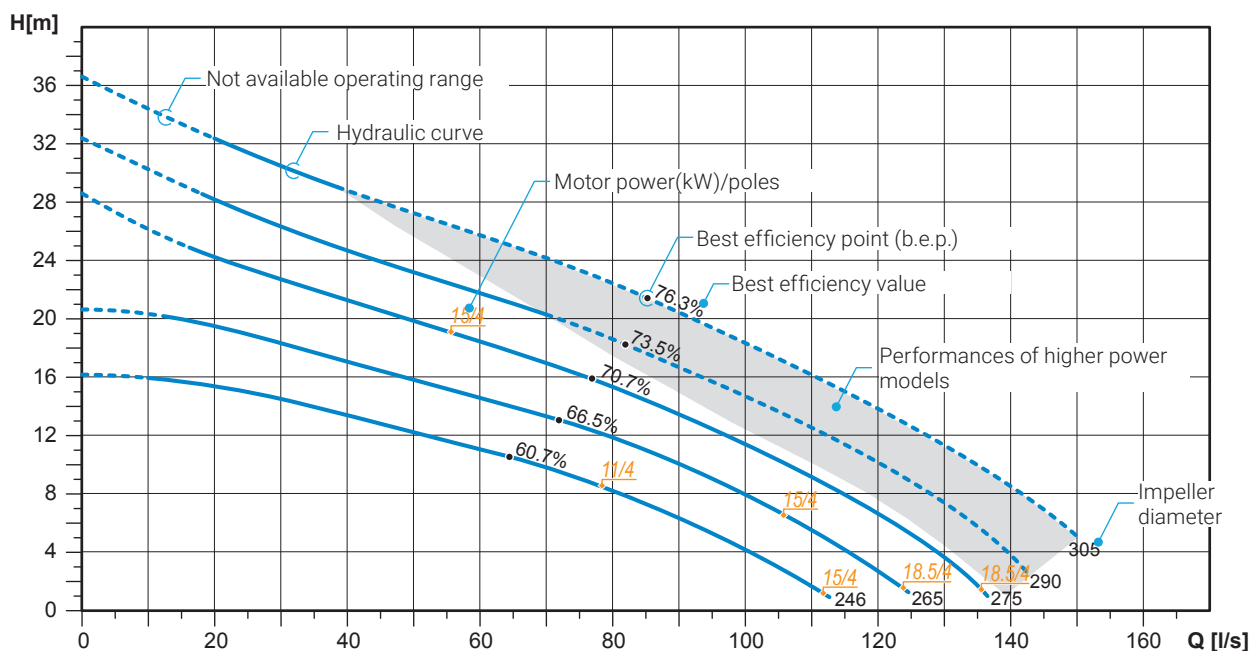
AA BA 10 4Y 5T1 EX NN

- | | | |
|---|--------------------------|---------------------------------|
| ⑬ Construction materials
- hydraulics
- motor shaft
and painting | ⑭ Electrical accessories | ⑰ Frequency/phases |
| | ⑮ Cable length (m) | ⑱ Special variant/certification |
| | ⑯ Voltage | ⑲ Customization |

Models available on request with **ATEX** certification, suitable for installation in the presence of potentially explosive gases, powders and liquids.

CE 2460 Ex II 2G Ex db k IIB T4
Ex II 2D Ex tb IIIC T135°C

Key to hydraulic curves



For more information about performances of higher power models please contact Zenit customer service or see www.zenonavigator.com website.

VORTEX impeller

ZUG V 065A

4 ÷ 9 kW - 2 poles

Hydraulics

Vortex impeller

Free passage: 65 mm

Discharge: DN65 - PN10-16 EN 1092-2

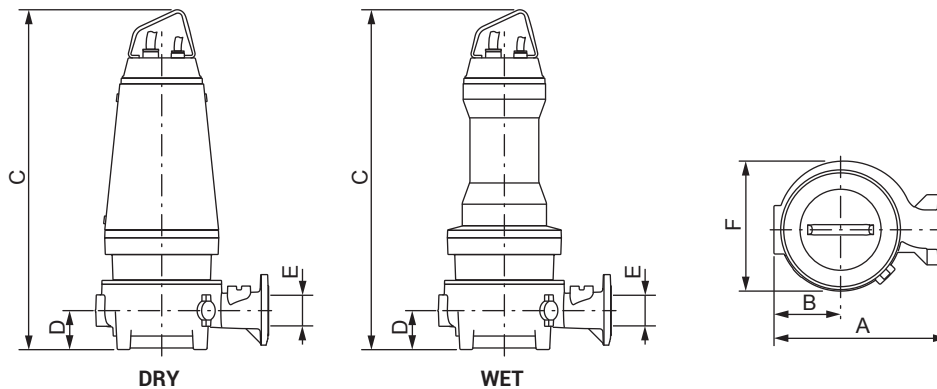
Suction: DN65



Motor

Type	V/~	Start	A	cos φ	P1 (kW)	P2 (kW)	η mot. %	Efficiency class
4/2 A	400-700/3	Y Δ	7.7	0.85	4.5	4.0	88.2	IE3
5.5/2 A	400-700/3	Y Δ	10.2	0.88	6.2	5.5	89.2	IE3
7.5/2 A	400-700/3	Y Δ	14.1	0.85	8.3	7.5	90.1	IE3
9/2 A	400-700/3	Y Δ	16.6	0.87	9.9	9.0	90.7	IE3

Overall dimensions and weight

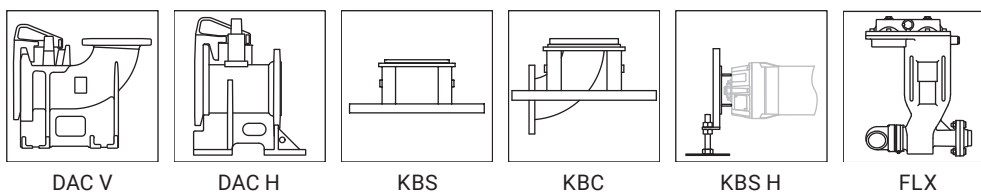


	A	B	C mm		D	E	F	Kg	
	mm	mm	WET	DRY	mm	mm	mm	WET	DRY (*)
ZUG V 065A 4/2 AW (D)	325	140	845	945	90	65	285	121.5	137.5
ZUG V 065A 5.5/2 AW	325	140	845	-	90	65	285	124.5	-
ZUG V 065A 7.5/2 AW	325	140	945	-	90	65	285	137.5	-
ZUG V 065A 9/2 AW	325	140	945	-	90	65	285	141.5	-

(*) Weight for the DRY version includes cooling fluid

W: WET version (submerged operation - S1 duty type) / **D: DRY version** (dry operation - S1 duty type)

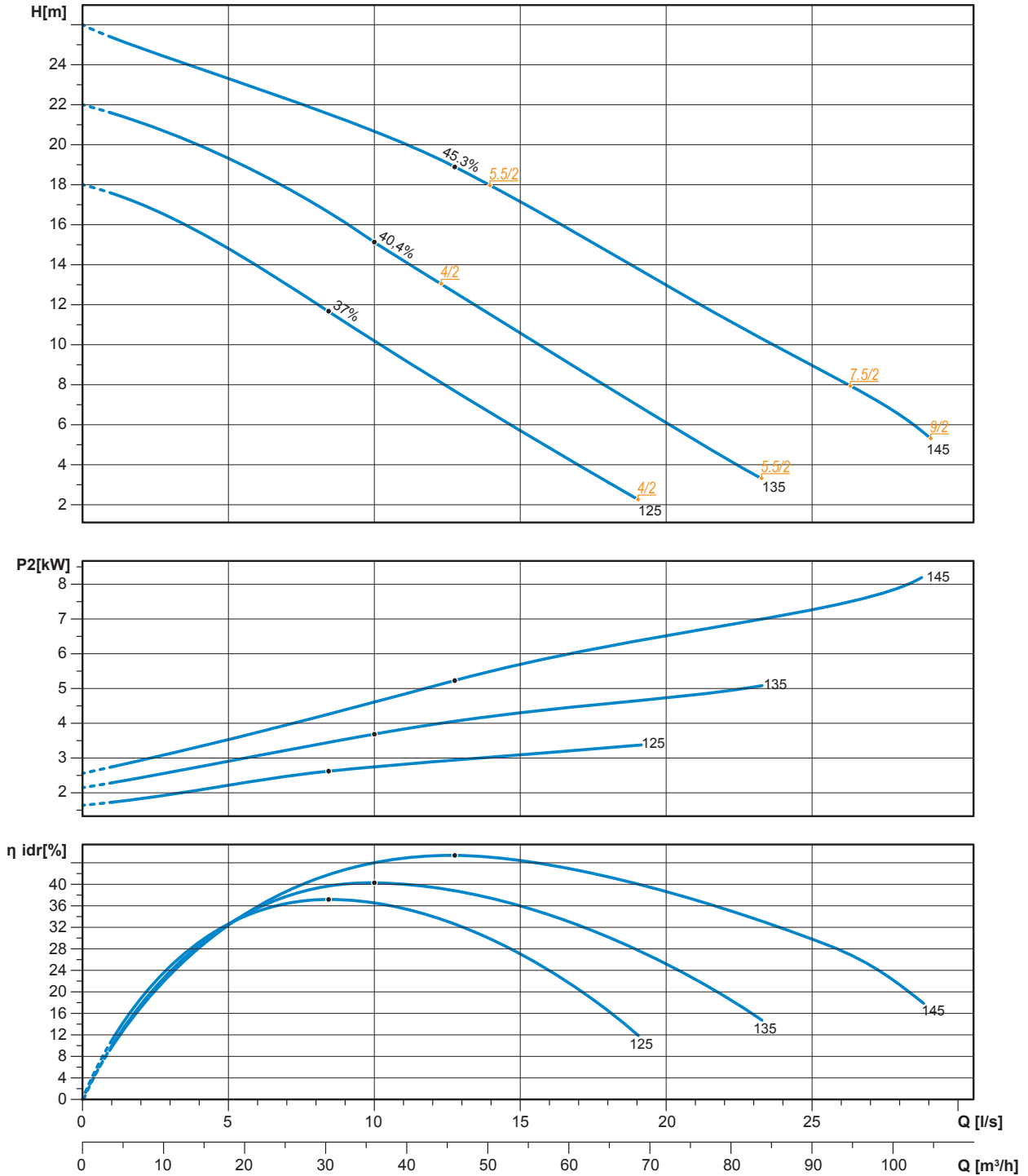
Available accessories



The data provided are not binding. Zenit reserves the right to modify any product without notice.

ZUG V 065A

Performances



Characteristic curves according to UNI EN ISO 9906

VORTEX impeller

ZUG V 080A

4 ÷ 11 kW - 2 poles

Hydraulics

Vortex impeller

Free passage: 80 mm

Discharge: DN80 - PN10-16 EN 1092-2

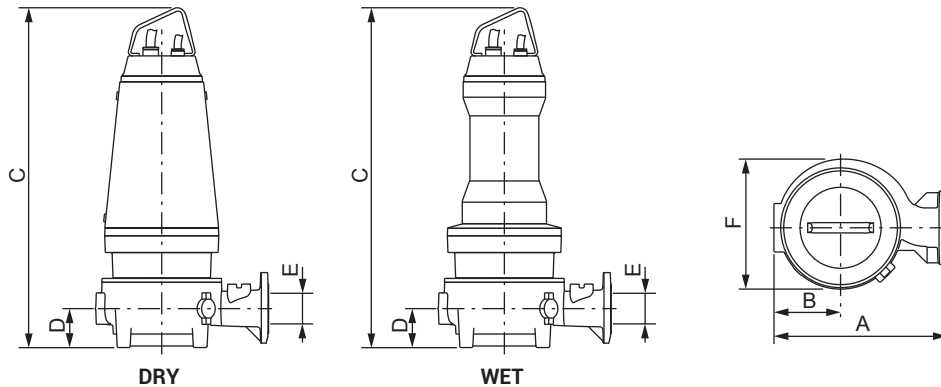
Suction: DN80



Motor

Type	V/~	Start	A	cos φ	P1 (kW)	P2 (kW)	η mot. %	Efficiency class
4/2 A	400-700/3	Y Δ	7.7	0.85	4.5	4.0	88.2	IE3
5.5/2 A	400-700/3	Y Δ	10.2	0.88	6.2	5.5	89.2	IE3
7.5/2 A	400-700/3	Y Δ	14.1	0.85	8.3	7.5	90.1	IE3
9/2 A	400-700/3	Y Δ	16.6	0.87	9.9	9.0	90.7	IE3
11/2 A	400-700/3	Y Δ	20.0	0.87	12.0	11.0	91.7	IE3

Overall dimensions and weight

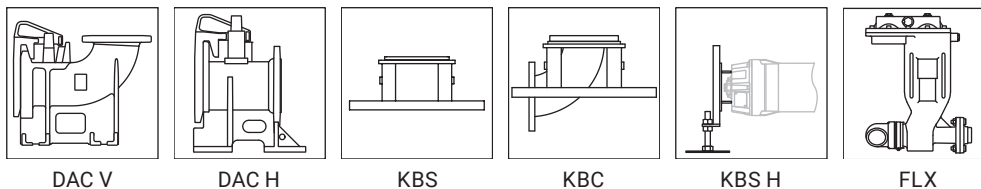


	A mm	B mm	C mm		D mm	E mm	F mm	Kg	
			WET	DRY				WET	DRY (*)
ZUG V 080A 4/2 AW (D)	330	142	854	954	92	80	284	121.9	137.9
ZUG V 080A 5.5/2 AW	330	142	854	-	92	80	284	124.9	-
ZUG V 080A 7.5/2 AW	330	142	954	-	92	80	284	137.9	-
ZUG V 080A 9/2 AW	330	142	954	-	92	80	284	141.9	-
ZUG V 080A 11/2 AW	330	142	954	-	92	80	284	145.9	-

(*) Weight for the DRY version includes cooling fluid

W: WET version (submerged operation - S1 duty type) / D: DRY version (dry operation - S1 duty type)

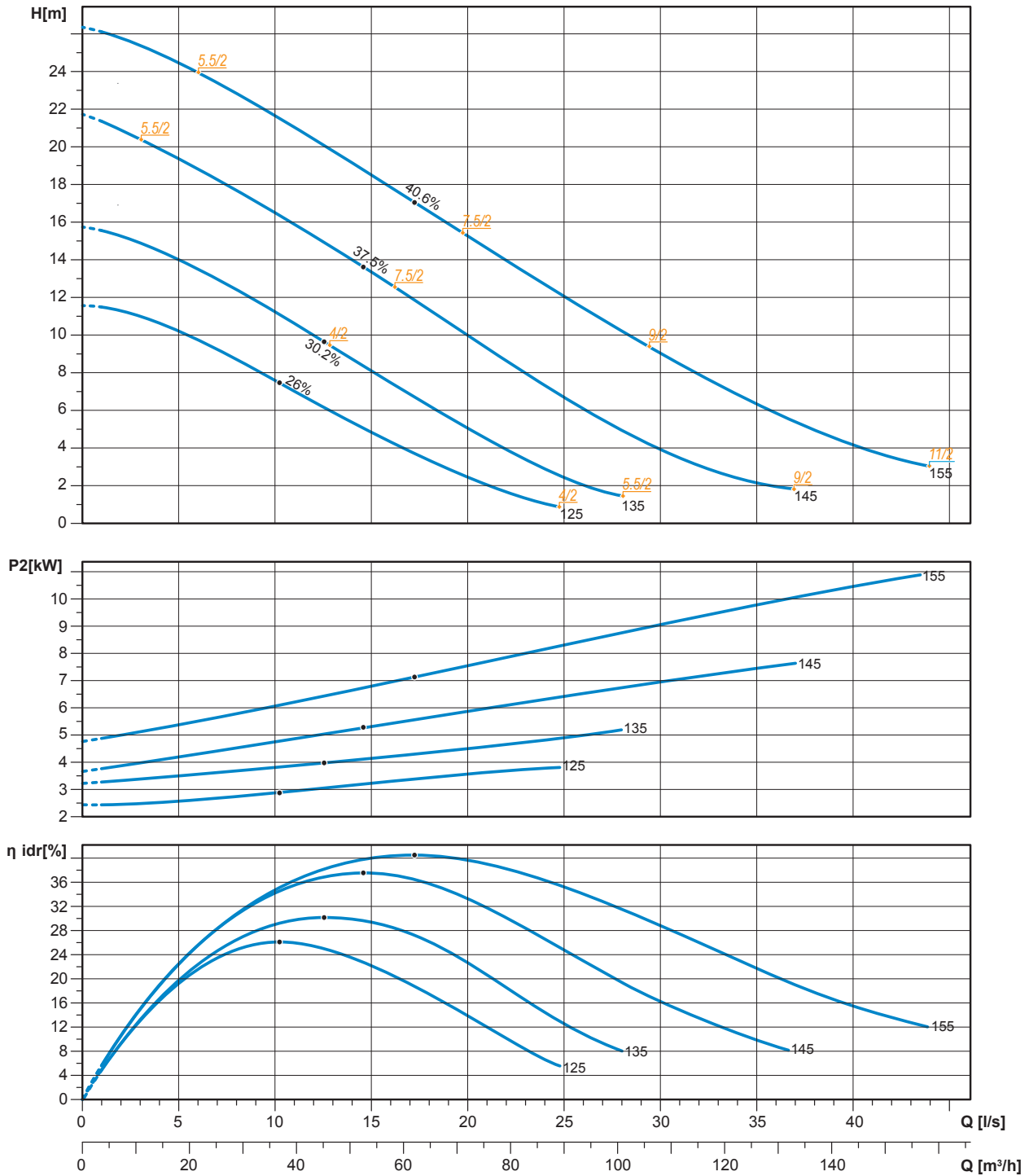
Available accessories



The data provided are not binding. Zenit reserves the right to modify any product without notice.

ZUG V 080A

Performances



Characteristic curves according to UNI EN ISO 9906

VORTEX impeller

ZUG V 080B

7.5 ÷ 18.5 kW - 2 poles

Hydraulics

Vortex impeller

Free passage: 80 mm

Discharge: DN80 - PN10-16 EN 1092-2

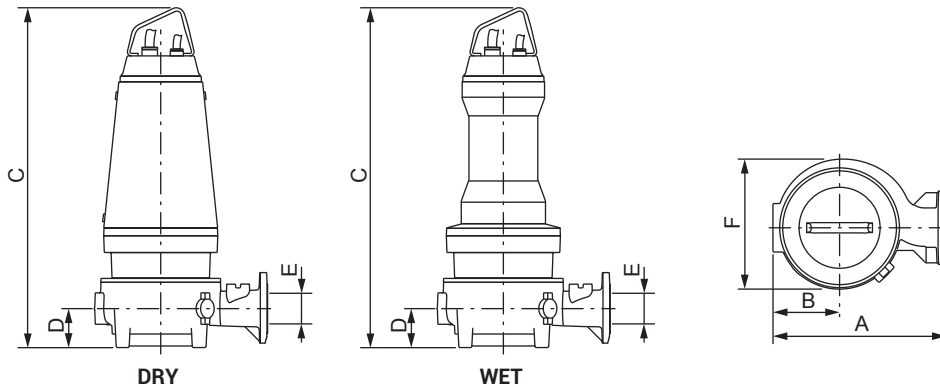
Suction: DN80



Motor

Type	V/~	Start	A	cos φ	P1 (kW)	P2 (kW)	η mot. %	Efficiency class
7.5/2 A	400-700/3	Y Δ	14.1	0.85	8.3	7.5	90.1	IE3
9/2 A	400-700/3	Y Δ	16.6	0.87	9.9	9.0	90.7	IE3
11/2 A	400-700/3	Y Δ	20.0	0.87	12.0	11.0	91.7	IE3
15/2 A	400-700/3	Y Δ	26.7	0.88	16.3	15.0	91.9	IE3
18.5/2 A	400-700/3	Y Δ	33.1	0.87	20.0	18.5	92.3	IE3

Overall dimensions and weight

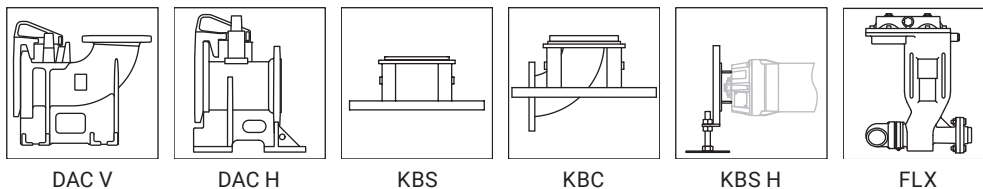


	A mm	B mm	C mm		D mm	E mm	F mm	Kg	
			WET	DRY				WET	DRY (*)
ZUG V 080B 7.5/2 AW (D)	401	168	954	1030	92	80	323	158.2	242.2
ZUG V 080B 9/2 AW (D)	401	168	954	1030	92	80	323	162.2	246.2
ZUG V 080B 11/2 AW (D)	401	168	954	1030	92	80	323	166.2	250.2
ZUG V 080B 15/2 AW (D)	414	181	1121	1121	92	80	363	229.3	264.9
ZUG V 080B 18.5/2 AW (D)	414	181	1121	1121	92	80	363	238.8	274.4

(*) Weight for the DRY version includes cooling fluid

W: WET version (submerged operation - S1 duty type) / D: DRY version (dry operation - S1 duty type)

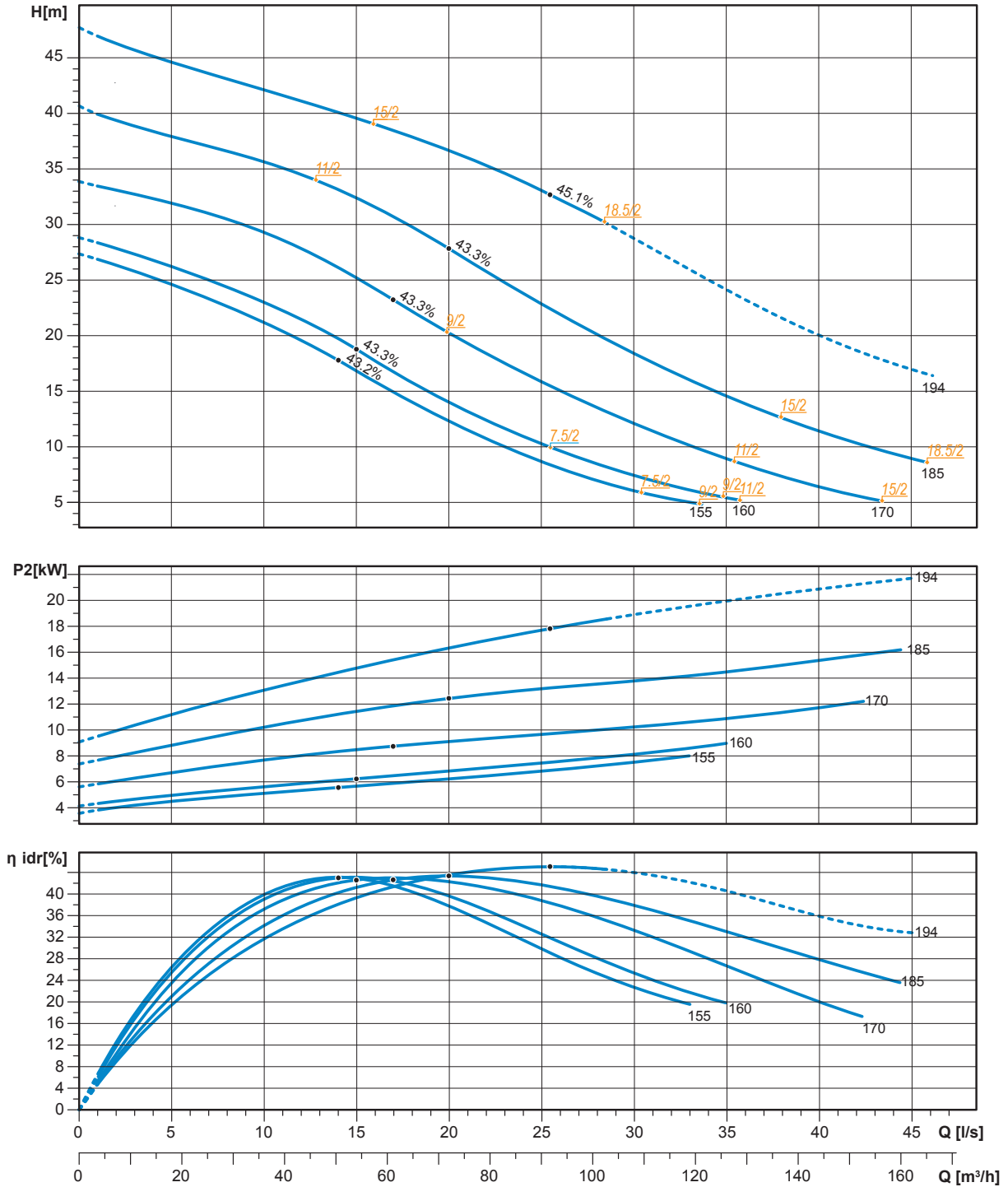
Available accessories



The data provided are not binding. Zenit reserves the right to modify any product without notice.

ZUG V 080B

Performances



Characteristic curves according to UNI EN ISO 9906

VORTEX impeller

ZUG V 080C

3 ÷ 5.5 kW - 4 poles

Hydraulics

Vortex impeller

Free passage: 65 mm

Discharge: DN80 - PN10-16 EN 1092-2

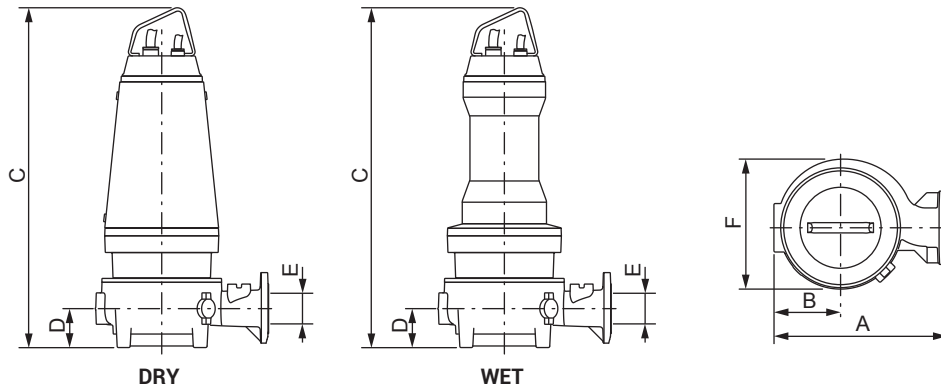
Suction: DN80



Motor

Type	V/~	Start	A	cos φ	P1 (kW)	P2 (kW)	η mot. %	Efficiency class
3/4 A	400-700/3	Y Δ	6.6	0.75	3.4	3.0	87.7	IE3
4/4 A	400-700/3	Y Δ	8.4	0.77	4.5	4.0	88.7	IE3
5.5/4 A	400-700/3	Y Δ	11.7	0.76	6.1	5.5	89.6	IE3

Overall dimensions and weight

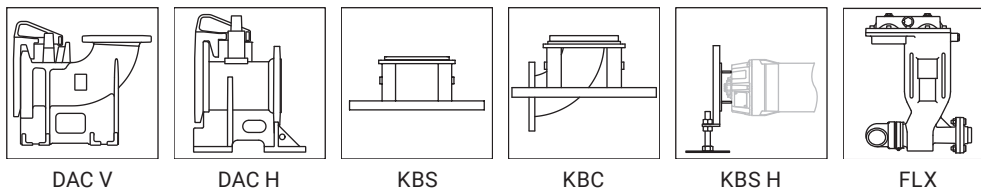


	A mm	B mm	C mm		D mm	E mm	F mm	Kg	
			WET	DRY				WET	DRY (*)
ZUG V 080C 3/4 AW	397.5	162.5	855	-	90	80	325	147.8	-
ZUG V 080C 4/4 AW (D)	397.5	162.5	955	1030	90	80	325	181.8	250.8
ZUG V 080C 5.5/4 AW (D)	397.5	162.5	955	1030	90	80	325	185.8	250.8

(*) Weight for the DRY version includes cooling fluid

W: WET version (submerged operation - S1 duty type) / **D: DRY version** (dry operation - S1 duty type)

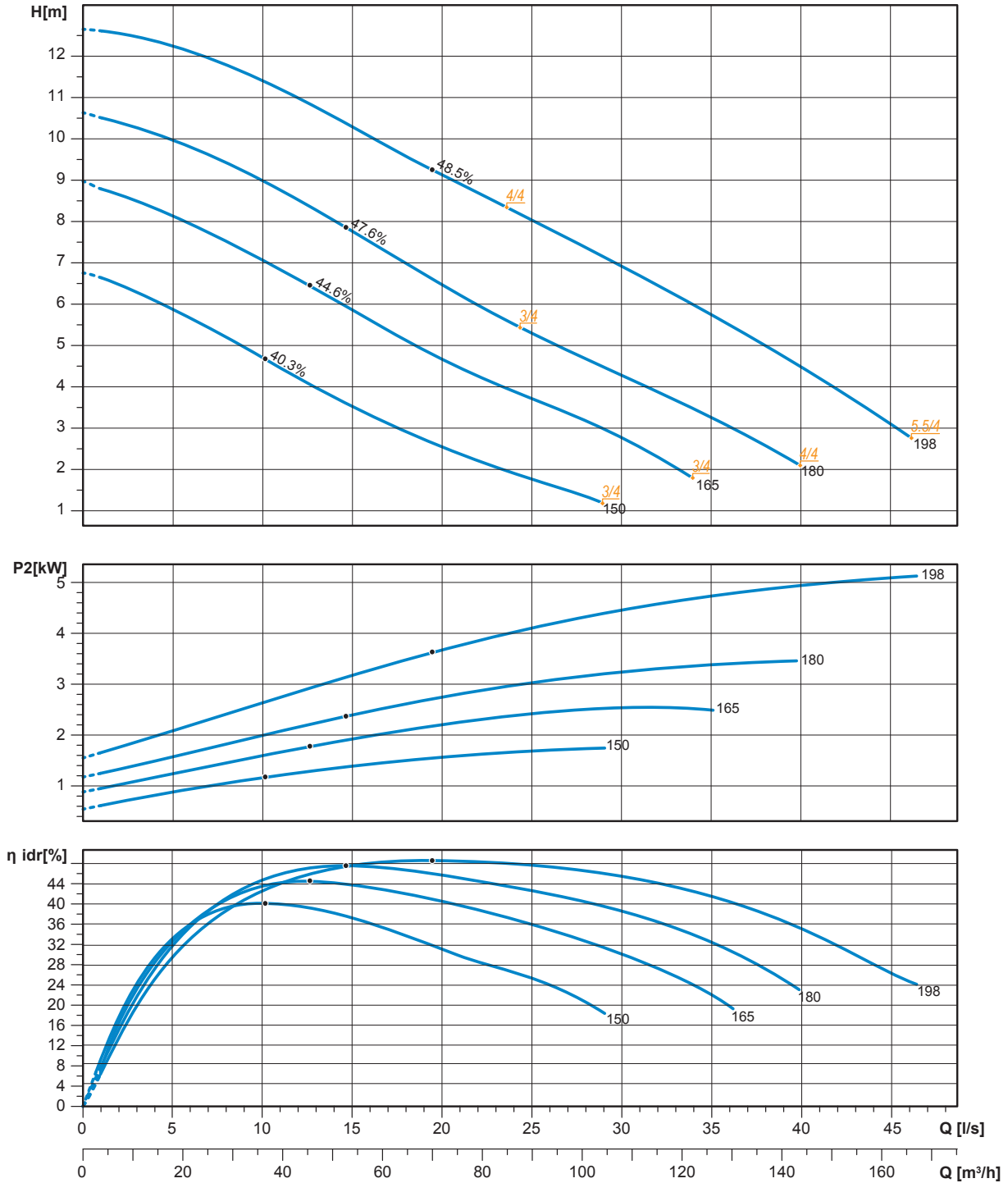
Available accessories



The data provided are not binding. Zenit reserves the right to modify any product without notice.

ZUG V 080C

Performances



Characteristic curves according to UNI EN ISO 9906

VORTEX impeller

ZUG V 080D

15 ÷ 37 kW - 2 poles

Hydraulics

Vortex impeller

Free passage: 60 mm

Discharge: DN80 - PN10-16 EN 1092-2

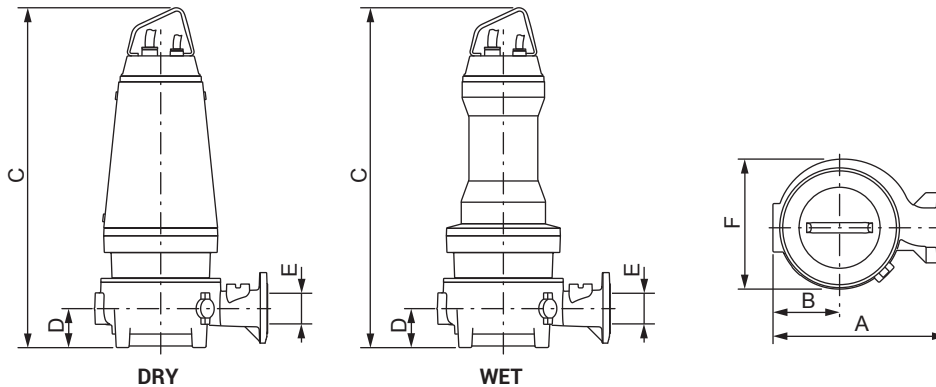
Suction: DN80



Motor

Type	V/~	Start	A	cos φ	P1 (kW)	P2 (kW)	η mot. %	Efficiency class
15/2 A	400-700/3	Y Δ	26.7	0.88	16.3	15.0	91.9	IE3
18.5/2 A	400-700/3	Y Δ	33.1	0.87	20.0	18.5	92.3	IE3
22/2 A	400-700/3	Y Δ	39.3	0.87	23.7	22.0	92.8	IE3
30/2 A	400-700/3	Y Δ	51.0	0.91	32.2	30.0	93.3	IE3
37/2 H	400-700/3	Y Δ	64.1	0.90	40.1	37.0	92.3	IE2

Overall dimensions and weight

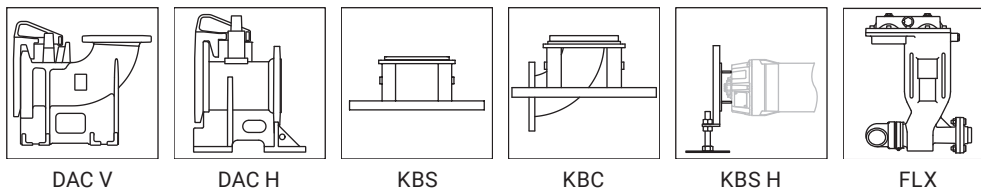


	A mm	B mm	C mm		D mm	E mm	F mm	Kg	
			WET	DRY				WET	DRY (*)
ZUG V 080D 15/2 AW (D)	484	194	1103	1103	80	80	374	224	259.6
ZUG V 080D 18.5/2 AW (D)	484	194	1103	1103	80	80	374	233.5	269.1
ZUG V 080D 22/2 AW (D)	491	201	1154	1154	80	80	403	290.6	337.6
ZUG V 080D 30/2 AW (D)	491	201	1154	1154	80	80	403	300.8	347.8
ZUG V 080D 37/2 HW (D)	491	201	1154	1154	80	80	403	300.8	347.8

(*) Weight for the DRY version includes cooling fluid

W: WET version (submerged operation - S1 duty type) / D: DRY version (dry operation - S1 duty type)

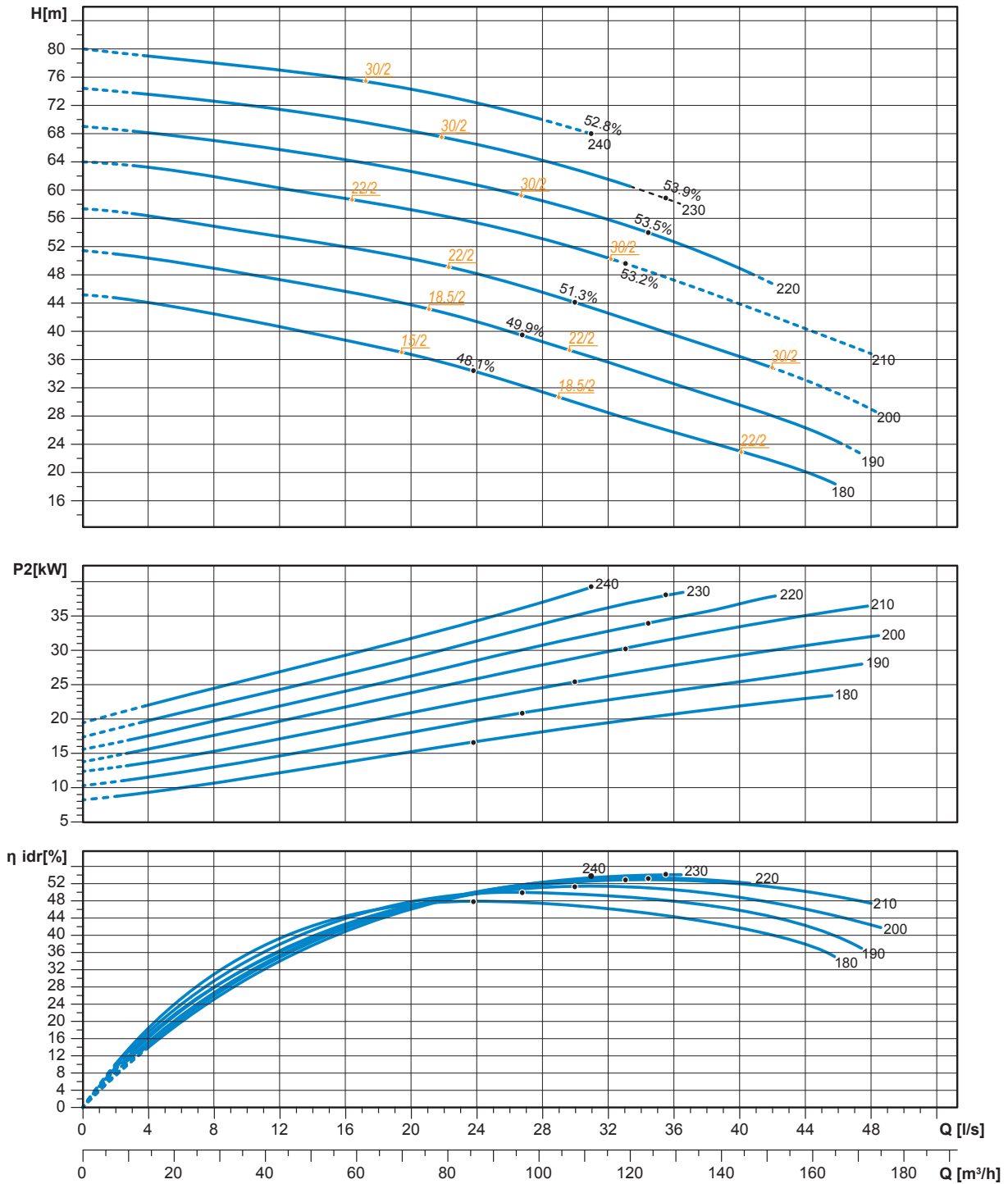
Available accessories



The data provided are not binding. Zenit reserves the right to modify any product without notice.

ZUG V 080D

Performances



Characteristic curves according to UNI EN ISO 9906

VORTEX impeller

ZUG V 080D

4 ÷ 15 kW - 4 poles

Hydraulics

Vortex impeller

Free passage: 60 mm

Discharge: DN80 - PN10-16 EN 1092-2

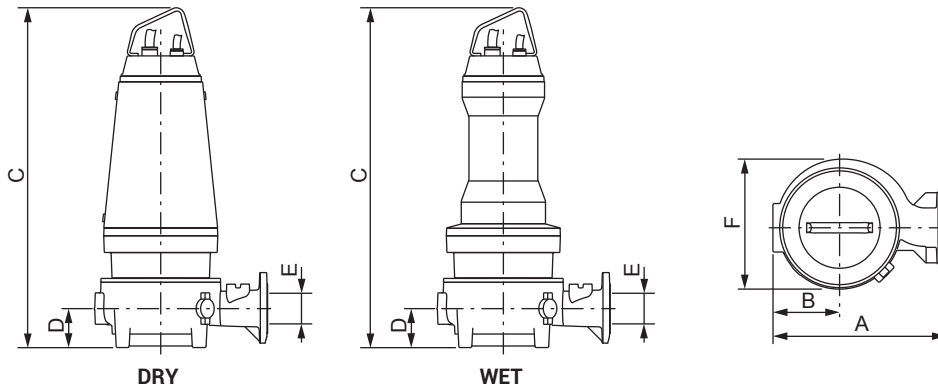
Suction: DN80



Motor

Type	V/~	Start	A	cos φ	P1 (kW)	P2 (kW)	η mot. %	Efficiency class
4/4 A	400-700/3	Y Δ	8.4	0.77	4.5	4.0	88.7	IE3
5.5/4 A	400-700/3	Y Δ	11.7	0.76	6.1	5.5	89.6	IE3
7.5/4 A	400-700/3	Y Δ	14.5	0.83	8.3	7.5	90.4	IE3
9/4 A	400-700/3	Y Δ	18.3	0.78	9.9	9.0	90.8	IE3
11/4 A	400-700/3	Y Δ	21.3	0.81	12.0	11.0	91.4	IE3
15/4 A	400-700/3	Y Δ	28.2	0.84	16.3	15.0	91.9	IE3

Overall dimensions and weight

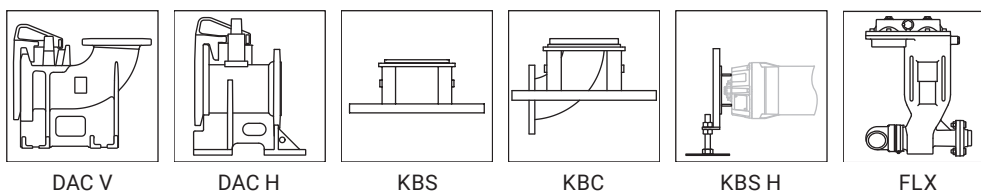


	A mm	B mm	C mm		D mm	E mm	F mm	Kg	
			WET	DRY				WET	DRY (*)
ZUG V 080D 4/4 AW (D)	484	194	937	1013	80	80	374	158	243
ZUG V 080D 5.5/4 AW (D)	484	194	937	1013	80	80	374	161	247
ZUG V 080D 7.5/4 AW (D)	484	194	1013	1013	80	80	374	210.3	245.3
ZUG V 080D 9/4 AW (D)	484	194	1103	1103	80	80	374	231.3	264.3
ZUG V 080D 11/4 AW (D)	491	201	1154	1154	80	80	403	282.5	329.5
ZUG V 080D 15/4 AW (D)	491	201	1154	1154	80	80	403	296.2	343.2

(*) Weight for the DRY version includes cooling fluid

W: WET version (submerged operation - S1 duty type) / D: DRY version (dry operation - S1 duty type)

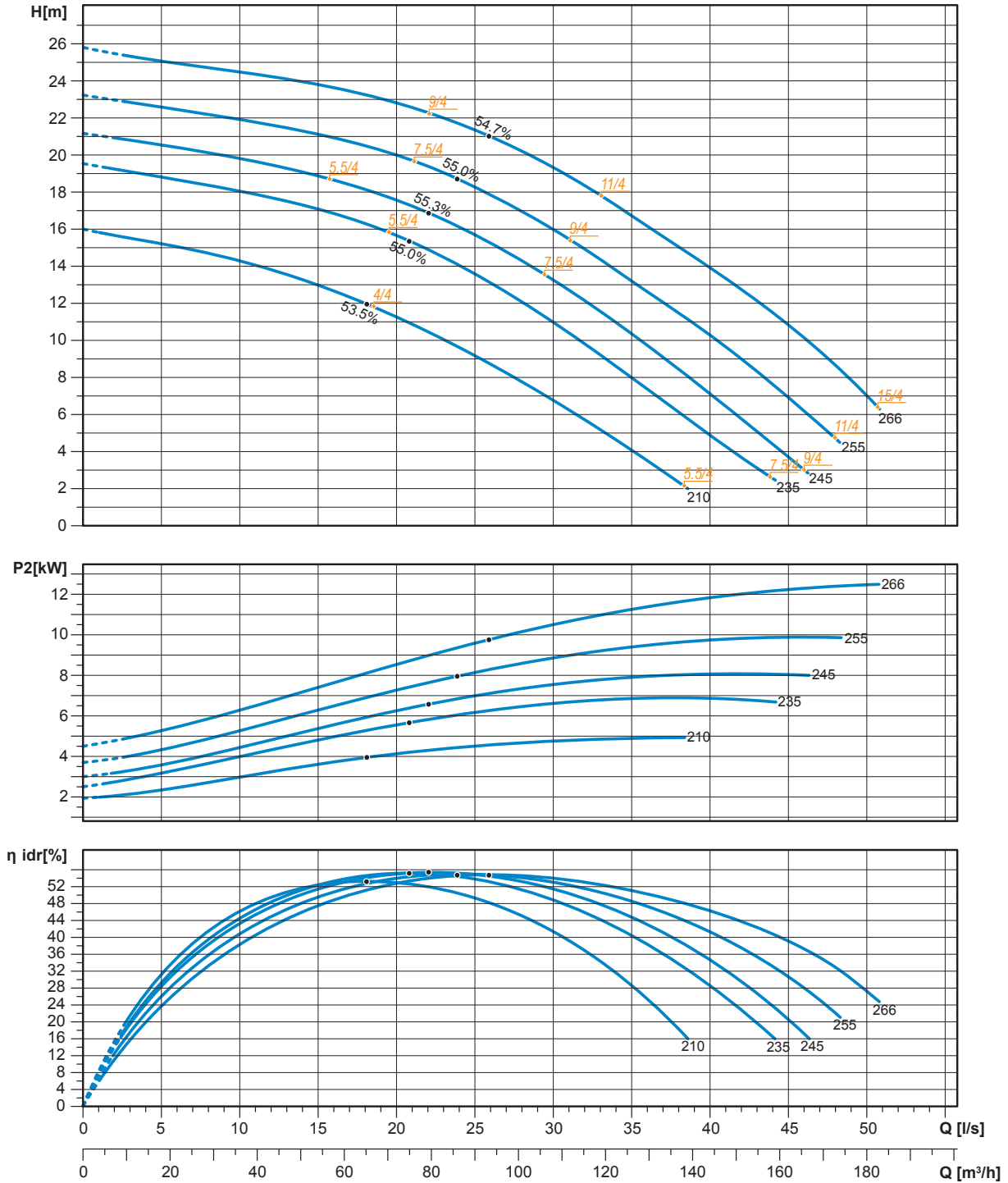
Available accessories



The data provided are not binding. Zenit reserves the right to modify any product without notice.

ZUG V 080D

Performances



Characteristic curves according to UNI EN ISO 9906

VORTEX impeller

ZUG V 080E

7.5 ÷ 11 kW - 2 poles

Hydraulics

Vortex impeller

Free passage: 80 mm

Discharge: DN80 - PN10-16 EN 1092-2

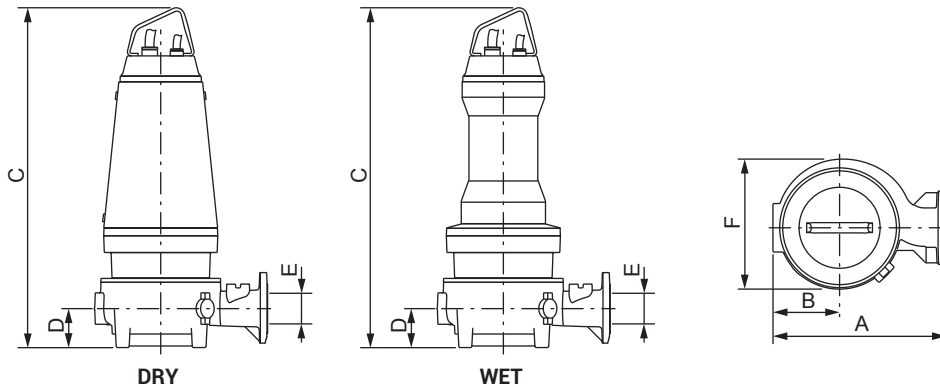
Suction: DN80



Motor

Type	V/~	Start	A	cos φ	P1 (kW)	P2 (kW)	η mot. %	Efficiency class
7,5/2 B	400-700/3	Y Δ	14.1	0.85	8.3	7.5	90.1	IE3
9/2 B	400-700/3	Y Δ	16.6	0.87	9.9	9.0	90.7	IE3
11/2 B	400-700/3	Y Δ	20.0	0.87	11.0	12.0	91.7	IE3

Overall dimensions and weight

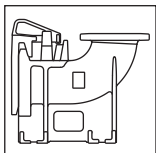


	A mm	B mm	C mm		D mm	E mm	F mm	Kg	
			WET	DRY				WET	DRY (*)
ZUG V 080E 7.5/2 AW	386	156	873	-	80	80	306	105	-
ZUG V 080E 9/2 AW	386	156	873	-	80	80	306	108	-
ZUG V 080E 11/2 AW	386	156	873	-	80	80	306	111	-

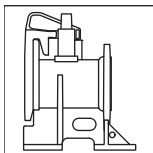
(*) Weight for the DRY version includes cooling fluid

W: WET version (submerged operation - S1 duty type) / **D: DRY version** (dry operation - S1 duty type)

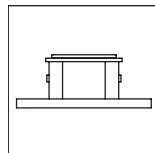
Available accessories



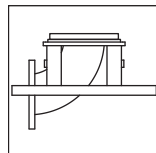
DAC V



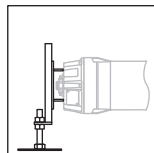
DAC H



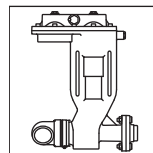
KBS



KBC



KBS H

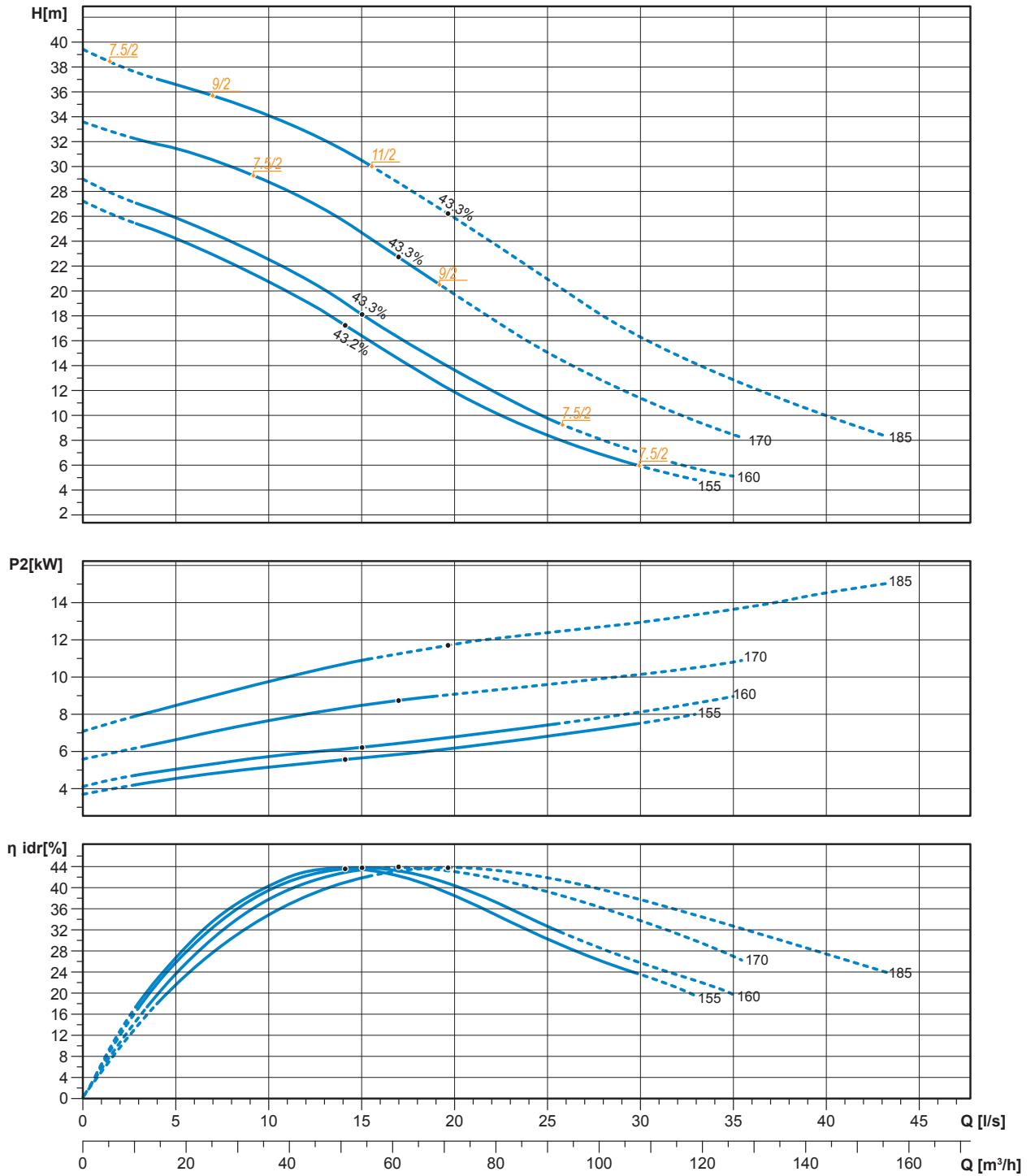


FLX

The data provided are not binding. Zenit reserves the right to modify any product without notice.

ZUG V 080E

Performances



Characteristic curves according to UNI EN ISO 9906

VORTEX impeller

ZUG V 080H

3 kW - 2 poles

Hydraulics

Vortex impeller

Free passage: 80 mm

Discharge: DN80 - PN10-16 EN 1092-2

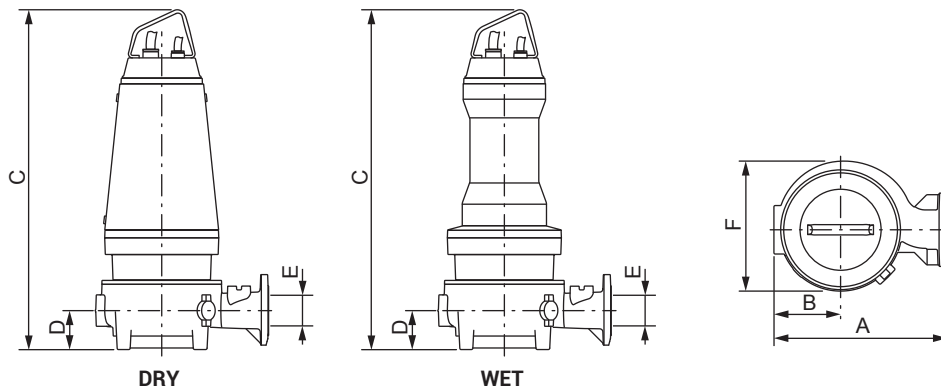
Suction: DN80



Motor

Type	V/~	Start	A	cos φ	P1 (kW)	P2 (kW)	η mot. %	Efficiency class
3/2 A	400/3	Dir	6.0	0.83	3.4	3.0	87.1	IE3

Overall dimensions and weight

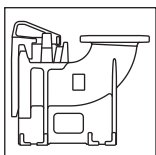


	A	B	C mm		D	E	F	Kg	
	mm	mm	WET	DRY	mm	mm	mm	WET	DRY (*)
ZUG V 080H 3/2 AW	312	120	652	-	80	80	236	48.3	-

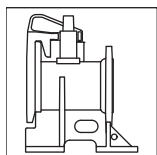
(*) Weight for the DRY version includes cooling fluid

W: WET version (submerged operation - S1 duty type) / **D: DRY version** (dry operation - S1 duty type)

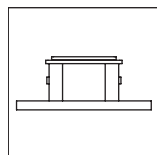
Available accessories



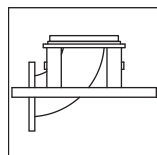
DAC V



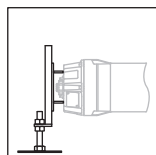
DAC H



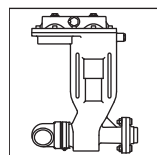
KBS



KBC



KBS H

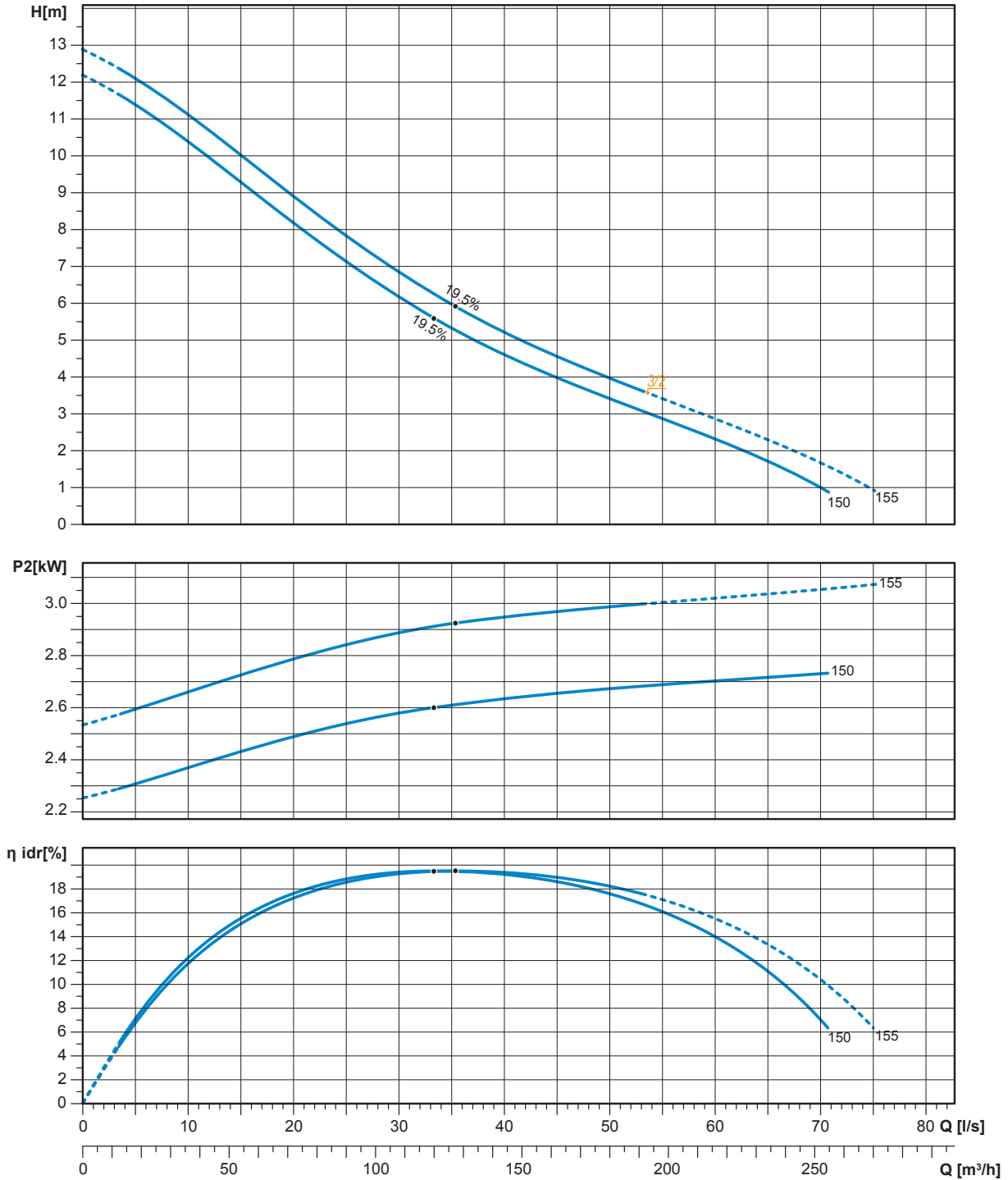


FLX

The data provided are not binding. Zenit reserves the right to modify any product without notice.

ZUG V 080H

Performances



Characteristic curves according to UNI EN ISO 9906

VORTEX impeller

ZUG V 100A

15 ÷ 37 kW - 2 poles

Hydraulics

Vortex impeller

Free passage: 100 mm

Discharge: DN100 - PN10-16 EN 1092-2

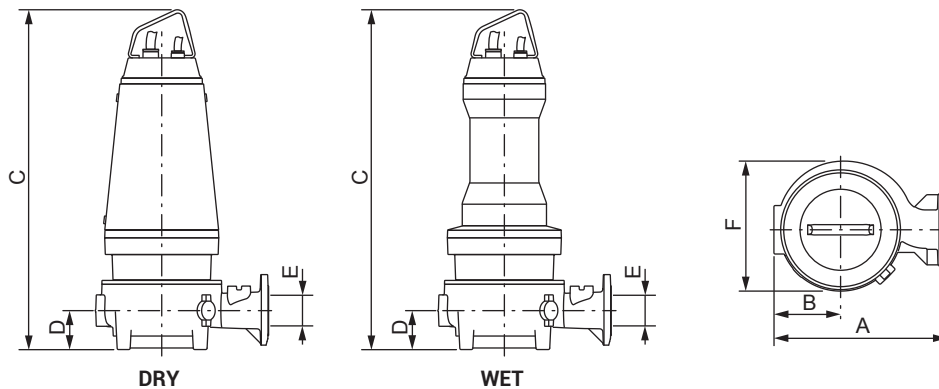
Suction: DN100



Motor

Type	V/~	Start	A	cos φ	P1 (kW)	P2 (kW)	η mot. %	Efficiency class
15/2 A	400-700/3	Y Δ	26.7	0.88	16.3	15.0	91.9	IE3
18.5/2 A	400-700/3	Y Δ	33.1	0.87	20.0	18.5	92.3	IE3
22/2 A	400-700/3	Y Δ	39.3	0.87	23.7	22.0	92.8	IE3
30/2 A	400-700/3	Y Δ	51.0	0.91	32.2	30.0	93.3	IE3
37/2 H	400-700/3	Y Δ	64.1	0.90	40.1	37.0	92.3	IE2

Overall dimensions and weight

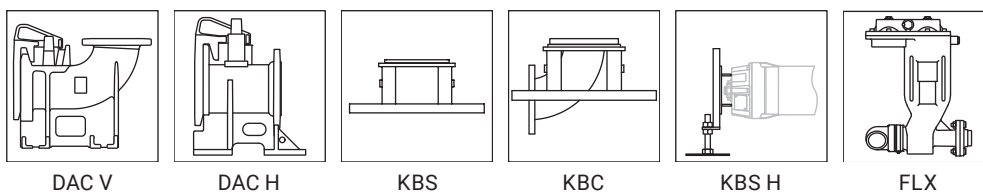


	A mm	B mm	C mm		D mm	E mm	F mm	Kg	
			WET	DRY				WET	DRY (*)
ZUG V 100A 15/2 AW (D)	496	190	1168	1168	110	100	373	231.2	266.8
ZUG V 100A 18.5/2 AW (D)	496	190	1168	1168	110	100	373	240.7	266.8
ZUG V 100A 22/2 AW (D)	507	201	1219	1219	110	100	403	297.8	344.8
ZUG V 100A 30/2 AW (D)	507	201	1219	1219	110	100	403	308	355
ZUG V 100A 37/2 HW (D)	507	201	1219	1219	110	100	403	308	355

(*) Weight for the DRY version includes cooling fluid

W: WET version (submerged operation - S1 duty type) / D: DRY version (dry operation - S1 duty type)

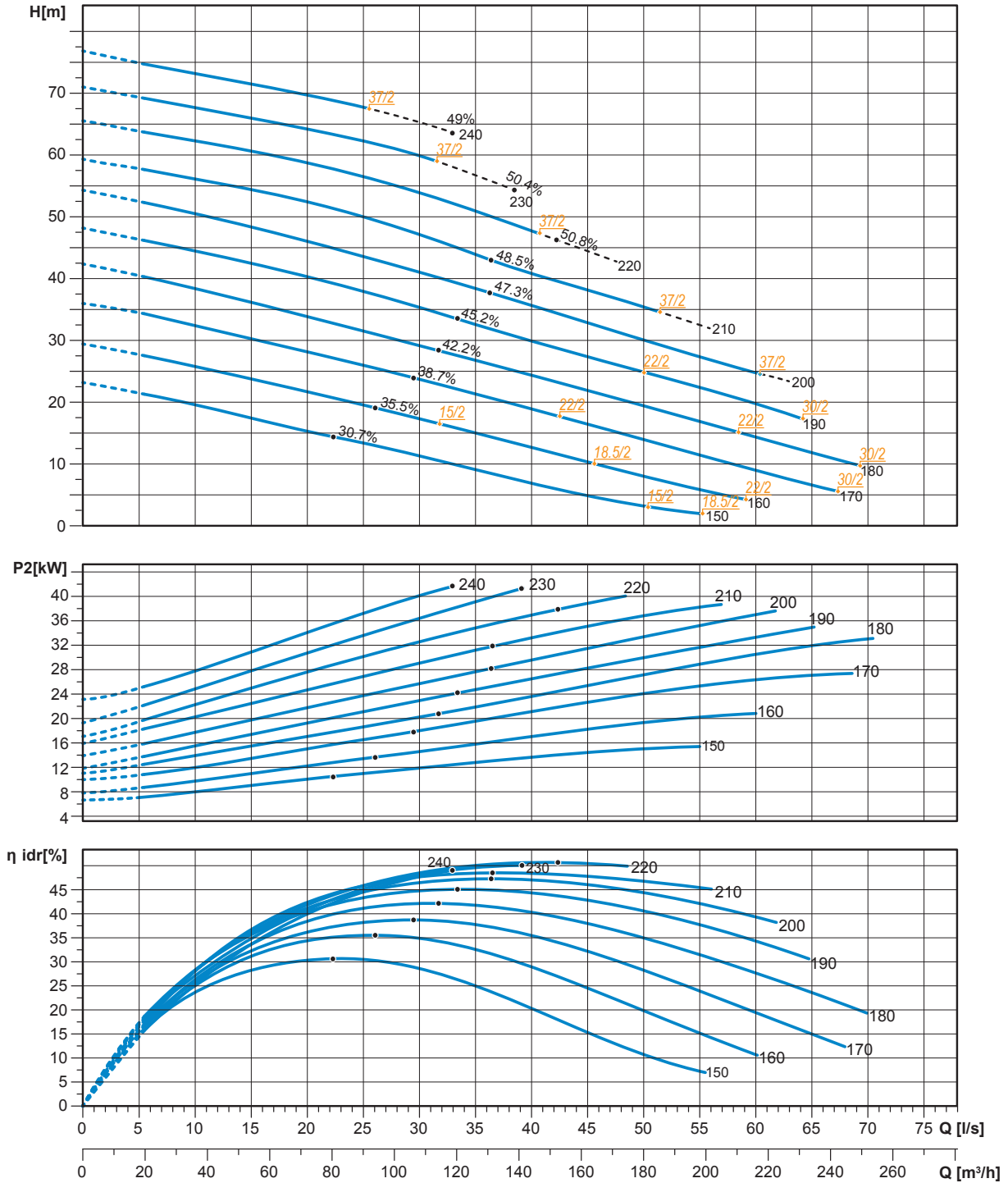
Available accessories



The data provided are not binding. Zenit reserves the right to modify any product without notice.

ZUG V 100A

Performances



Characteristic curves according to UNI EN ISO 9906

VORTEX impeller

ZUG V 100B

3 ÷ 15 kW - 4 poles

Hydraulics

Vortex impeller

Free passage: 100 mm

Discharge: DN100 - PN10-16 EN 1092-2

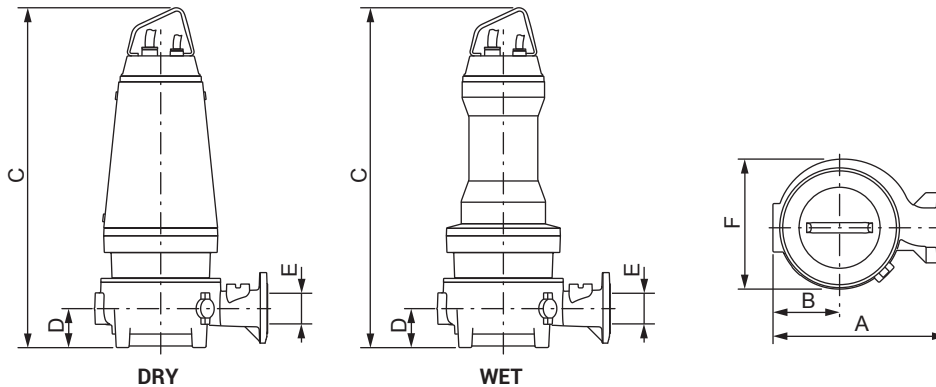
Suction: DN100



Motor

Type	V/~	Start	A	cos φ	P1 (kW)	P2 (kW)	η mot. %	Efficiency class
3/4 A	400-700/3	Y Δ	6.6	0.75	3.4	3.0	87.7	IE3
4/4 A	400-700/3	Y Δ	8.4	0.77	4.5	4.0	88.7	IE3
5.5/4 A	400-700/3	Y Δ	11.7	0.76	6.1	5.5	89.6	IE3
7.5/4 A	400-700/3	Y Δ	14.5	0.83	8.3	7.5	90.4	IE3
9/4 A	400-700/3	Y Δ	18.3	0.78	9.9	9.0	90.8	IE3
11/4 A	400-700/3	Y Δ	21.3	0.81	12.0	11.0	91.4	IE3
15/4 A	400-700/3	Y Δ	28.2	0.84	16.3	15.0	91.9	IE3

Overall dimensions and weight

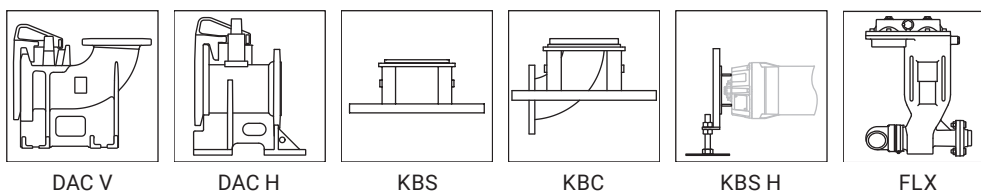


	A mm	B mm	C mm		D mm	E mm	F mm	Kg	
			WET	DRY				WET	DRY (*)
ZUG V 100B 3/4 AW	496	190	902	-	110	100	373	147.2	-
ZUG V 100B 4/4 AW (D)	496	190	1001	1078	110	100	373	171.2	250.2
ZUG V 100B 5.5/4 AW (D)	496	190	1001	1078	110	100	373	185.2	254.2
ZUG V 100B 7.5/4 AW (D)	496	190	1078	1078	110	100	373	217.5	254.2
ZUG V 100B 9/4 AW (D)	496	190	1168	1168	110	100	373	238.5	271.5
ZUG V 100B 11/4 AW (D)	507	201	1219	1219	110	100	403	289.7	336.7
ZUG V 100B 15/4 AW (D)	507	201	1219	1219	110	100	403	303.4	350.4

(*) Weight for the DRY version includes cooling fluid

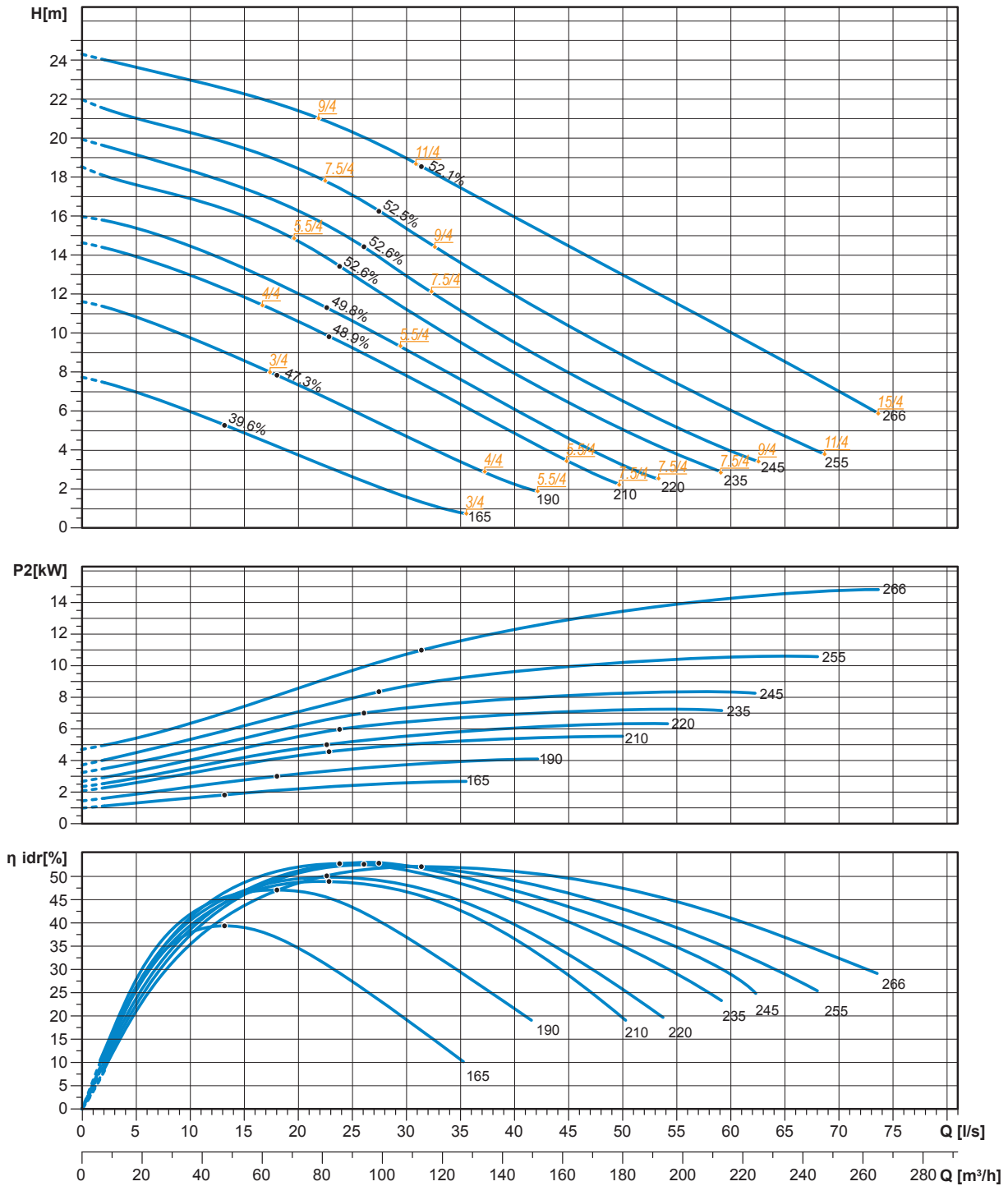
W: WET version (submerged operation - S1 duty type) / **D: DRY version** (dry operation - S1 duty type)

Available accessories



ZUG V 100B

Performances



Characteristic curves according to UNI EN ISO 9906

VORTEX impeller

ZUG V 100G

1.1 ÷ 1.5 kW - 6 poles

Hydraulics

Vortex impeller

Free passage: 80 mm

Discharge: DN100 - PN10-16 EN 1092-2

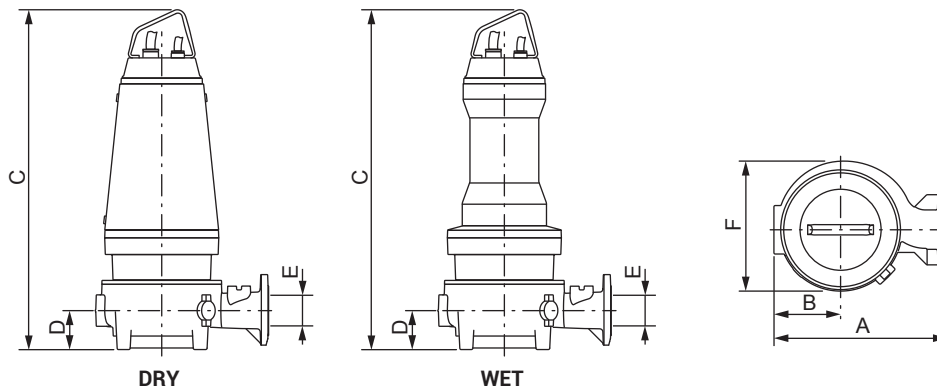
Suction: DN100



Motor

Type	V/~	Start	A	cos φ	P1 (kW)	P2 (kW)	η mot. %	Efficiency class
1.1/6 B	400/3	Dir	2.9	0.67	1.4	1.1	81.0	IE3
1.5/6 B	400/3	Dir	3.7	0.70	1.8	1.5	82.5	IE3

Overall dimensions and weight

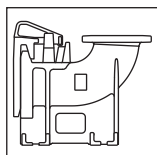


	A mm	B mm	C mm		D mm	E mm	F mm	Kg	
			WET	DRY				WET	DRY (*)
ZUG V 100G 1.1/6 BW	408	158	695	-	91	100	305	61.0	-
ZUG V 100 1.5/6 BW	408	158	752	-	91	100	305	79.0	-

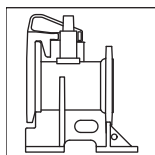
(*) Weight for the DRY version includes cooling fluid

W: WET version (submerged operation - S1 duty type) / **D: DRY version** (dry operation - S1 duty type)

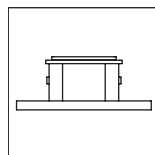
Available accessories



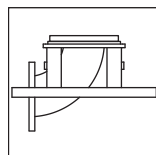
DAC V



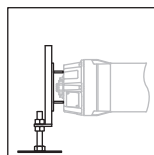
DAC H



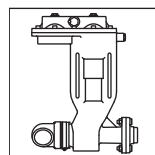
KBS



KBC



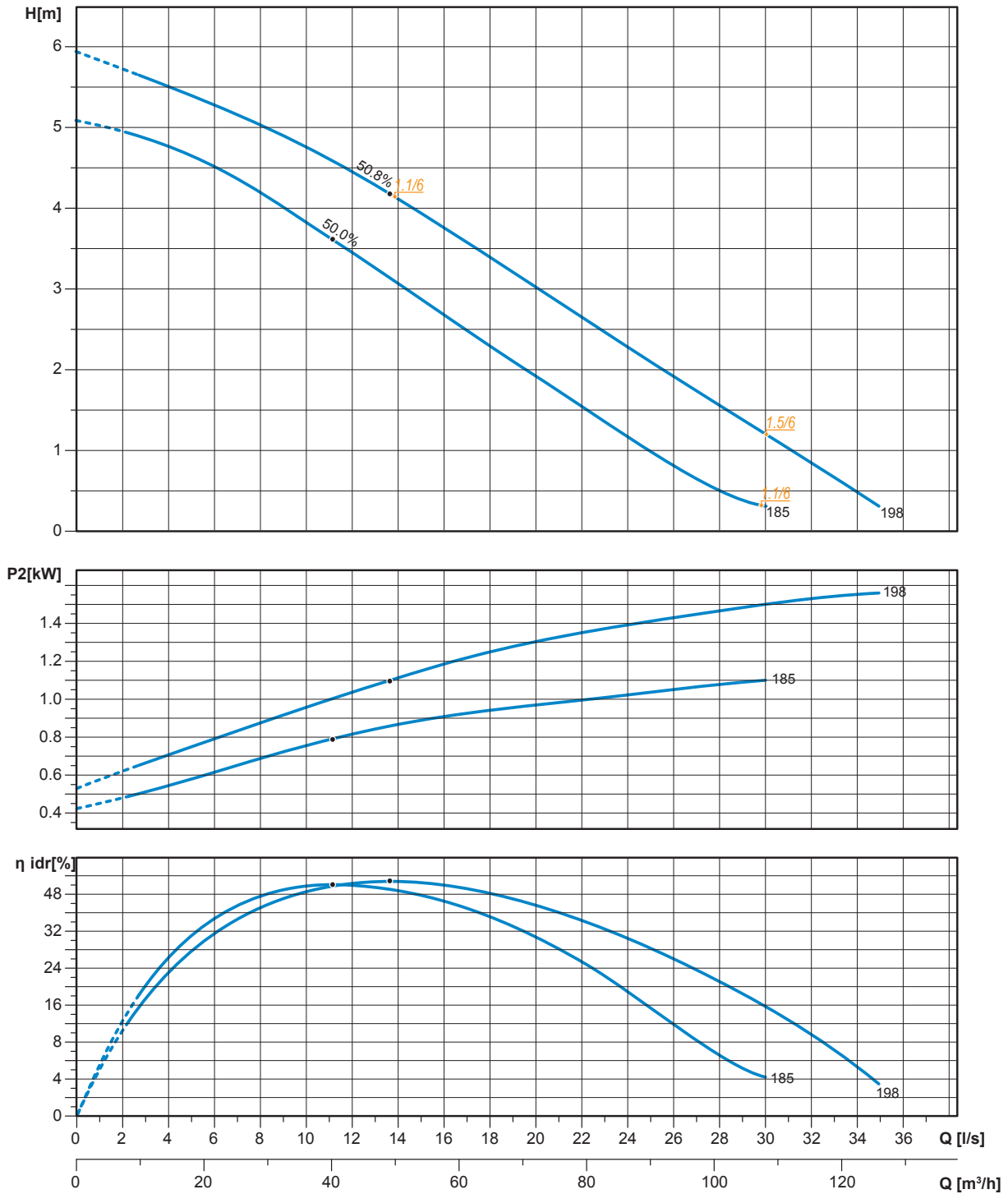
KBS H



FLX

ZUG V 100G

Performances



Characteristic curves according to UNI EN ISO 9906

VORTEX impeller

ZUG V 150A

7.5 ÷ 15 kW - 4 poles

Hydraulics

Vortex impeller

Free passage: 125 mm

Discharge: DN150 - PN10-16 EN 1092-2

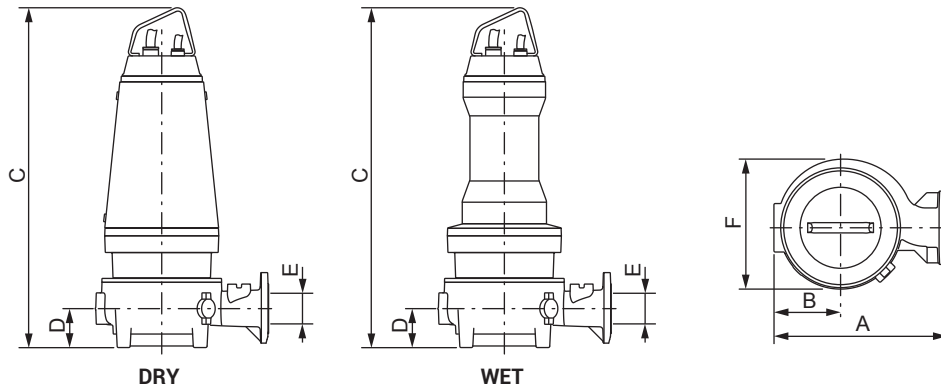
Suction: DN150



Motor

Type	V/~	Start	A	cos φ	P1 (kW)	P2 (kW)	η mot. %	Efficiency class
7.5/4 A	400-700/3	Y Δ	14.5	0.83	8.3	7.5	90.4	IE3
9/4 A	400-700/3	Y Δ	18.3	0.78	9.9	9.0	90.8	IE3
11/4 A	400-700/3	Y Δ	21.3	0.81	12.0	11.0	91.4	IE3
15/4 A	400-700/3	Y Δ	28.2	0.84	16.3	15.0	91.9	IE3

Overall dimensions and weight

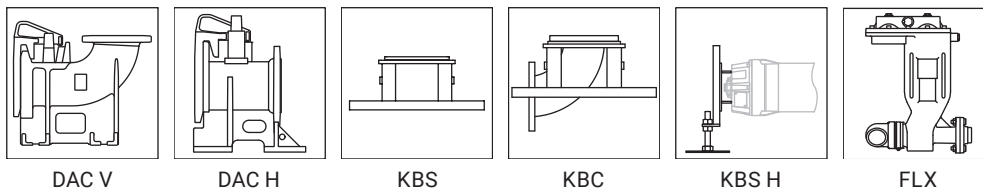


	A	B	C mm		D	E	F	Kg	
	mm	mm	WET	DRY	mm	mm	mm	WET	DRY (*)
ZUG V 150A 7.5/4 AW (D)	545	212	1103	1103	135	150	401	229.7	264.7
ZUG V 150A 9/4 AW (D)	545	212	1193	1193	135	150	401	250.7	283.7
ZUG V 150A 11/4 AW (D)	545	212	1245	1245	135	150	4015	301.9	348.9
ZUG V 150A 15/4 AW (D)	545	212	1245	1245	135	150	415	315.6	362.6

(*) Weight for the DRY version includes cooling fluid

W: WET version (submerged operation - S1 duty type) / **D: DRY version** (dry operation - S1 duty type)

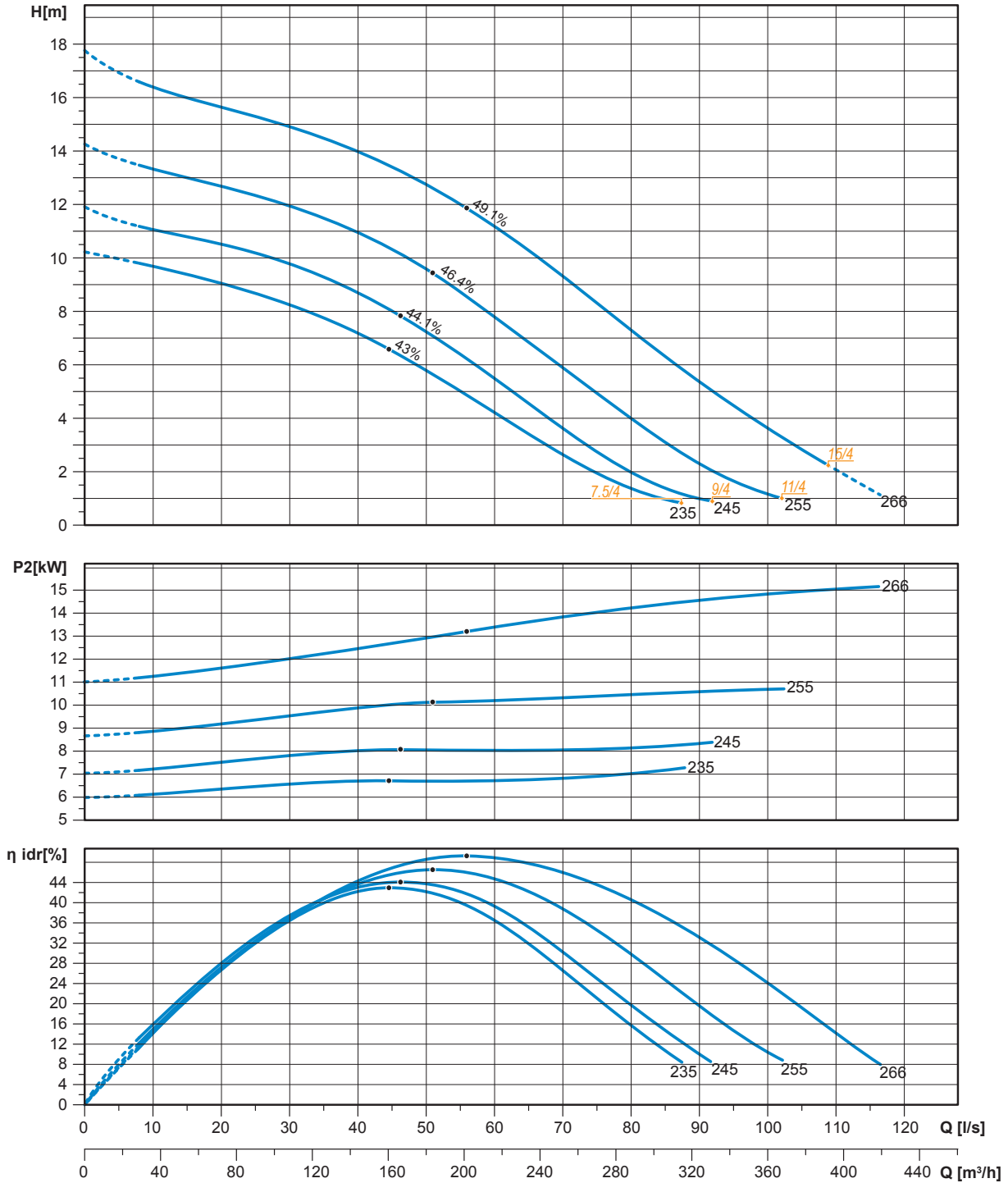
Available accessories



The data provided are not binding. Zenit reserves the right to modify any product without notice.

ZUG V 150A

Performances



Characteristic curves according to UNI EN ISO 9906

OPEN CHANNEL impeller

ZUG OC 065A

1.8 ÷ 3 kW - 2 poles

Hydraulics

Open channel impeller

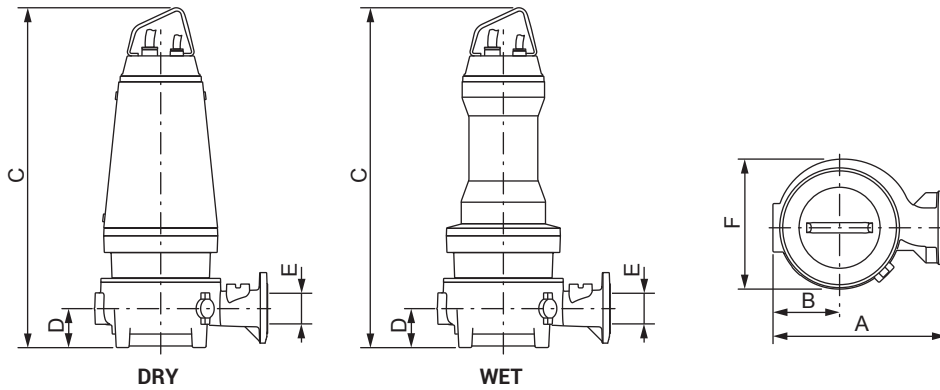
Free passage: 40 x 35 mm
 Discharge: DN65 - PN10-16 EN 1092-2
 Suction: DN80



Motor

Type	V/~	Start	A	cos φ	P1 (kW)	P2 (kW)	η mot. %	Efficiency class
1.8/2 B	400/3	Dir	3.8	0.80	2.1	1.8	85.3	IE3
2.2/2 B	400/3	Dir	4.4	0.84	2.6	2.2	85.9	IE3
3/2 B	400/3	Dir	6.0	0.83	3.4	3.0	87.1	IE3

Overall dimensions and weight

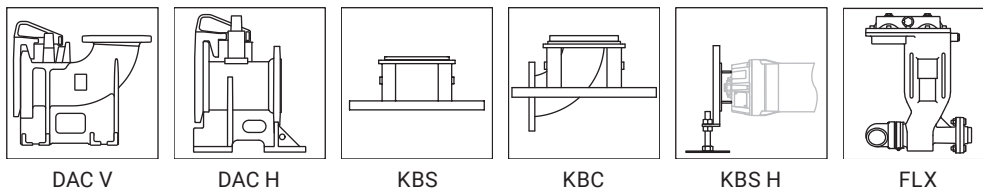


	A	B	C mm		D	E	F	Kg	
	mm	mm	WET	DRY	mm	mm	mm	WET	DRY (*)
ZUG OC 065A 1.8/2 BW (D)	343	125	615	615	80	65	255	58.8	58.8
ZUG OC 065A 2.2/2 BW	343	125	615	-	80	65	255	59.0	-
ZUG OC 065A 3/2 BW	343	125	615	-	80	65	255	60.3	-

(*) Weight for the DRY version includes cooling fluid

W: WET version (submerged operation - S1 duty type) / **D: DRY version** (dry operation - S1 duty type)

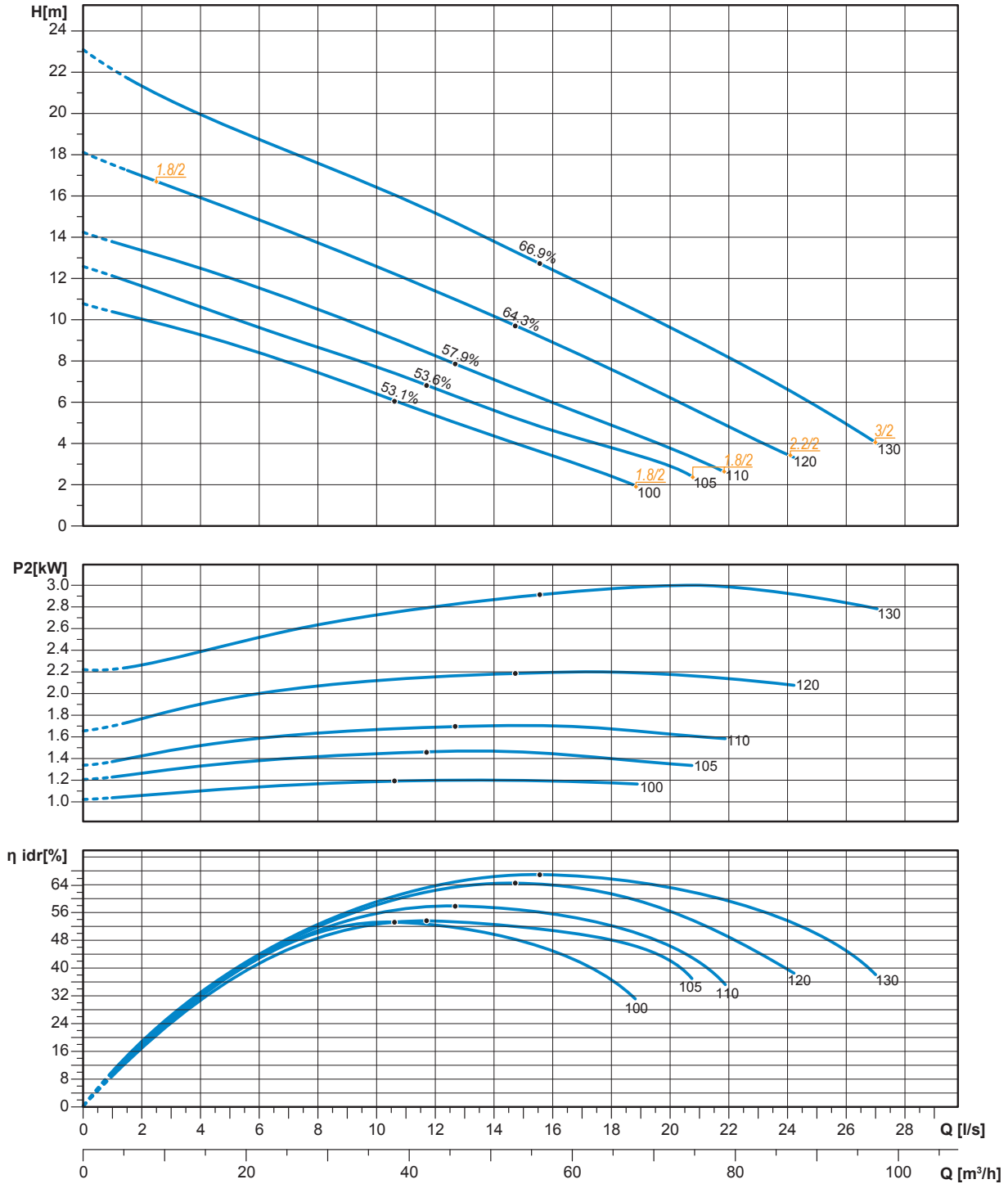
Available accessories



The data provided are not binding. Zenit reserves the right to modify any product without notice.

ZUG OC 065A

Performances



Characteristic curves according to UNI EN ISO 9906

OPEN CHANNEL impeller

ZUG OC 065B

1.8 ÷ 2.2 kW - 2 poles

Hydraulics

Open channel impeller

Free passage: 35x30 mm

Discharge: DN65 - PN10-16 EN 1092-2

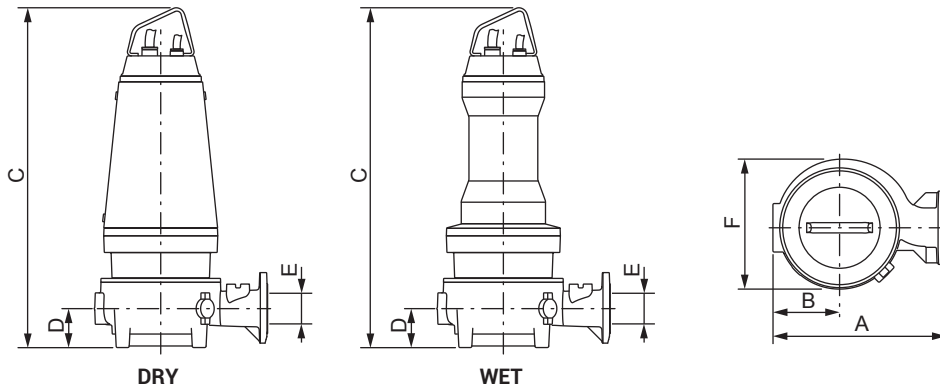
Suction: DN80



Motor

Type	V/~	Start	A	cos φ	P1 (kW)	P2 (kW)	η mot. %	Efficiency class
1.8/2 B	400/3	Dir	3.8	0.80	2.1	1.8	85.3	IE3
2.2/2 B	400/3	Dir	4.4	0.84	2.6	2.2	85.9	IE3

Overall dimensions and weight

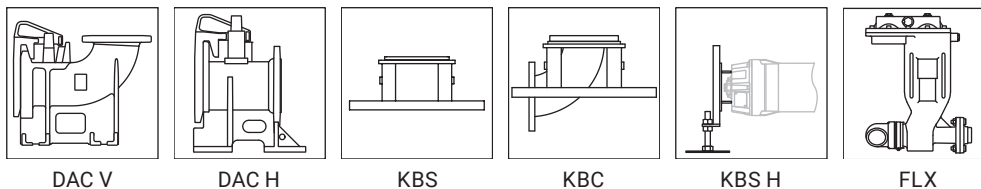


	A mm	B mm	C mm		D mm	E mm	F mm	Kg	
			WET	DRY				WET	DRY (*)
ZUG OC 065B 1.8/2 BW (D)	343	136	615	615	80	65	255	50.8	50.8
ZUG OC 065B 2.2/2 BW	343	136	615	-	80	65	255	51.0	-

(*) Weight for the DRY version includes cooling fluid

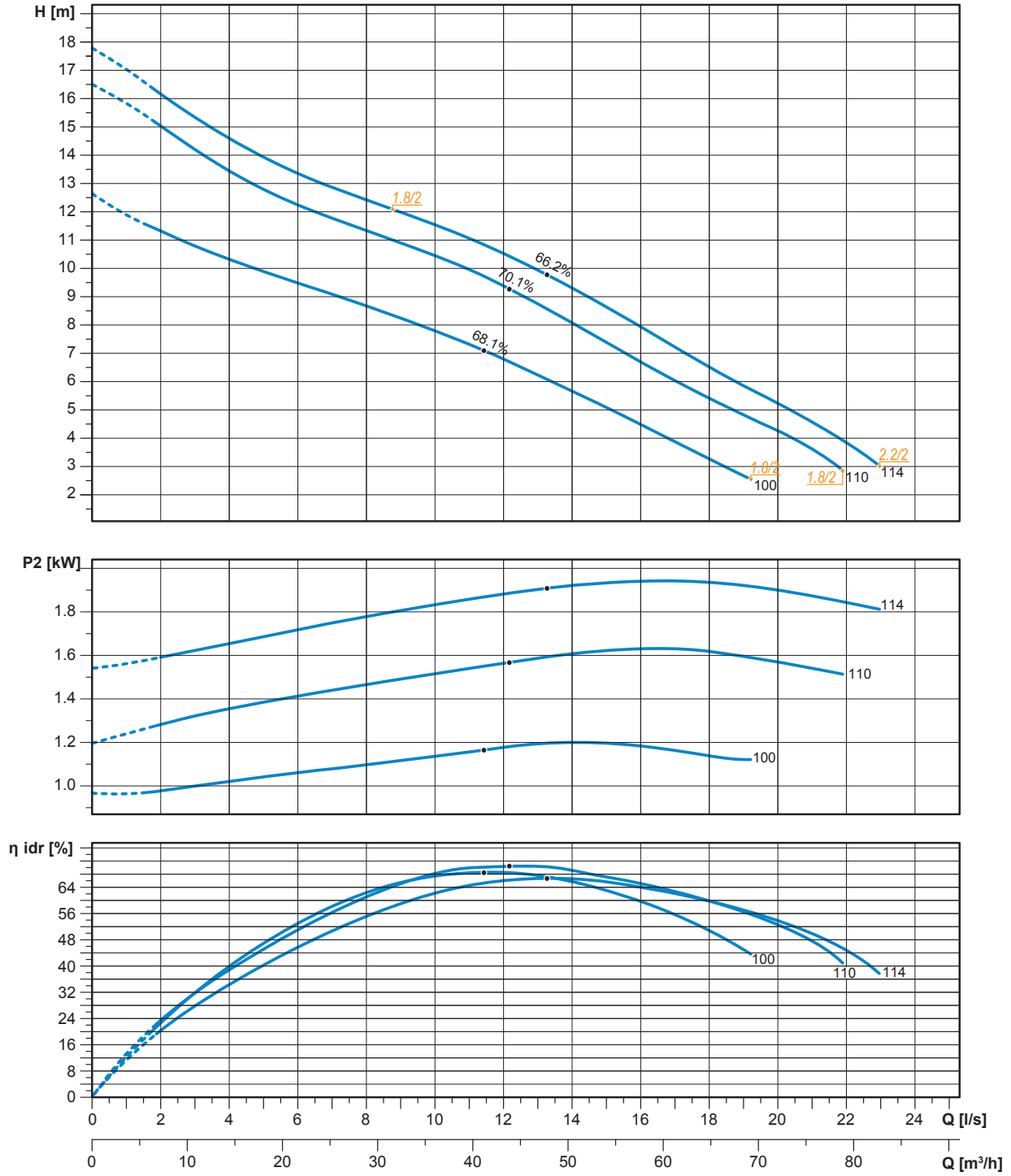
W: WET version (submerged operation - S1 duty type) / **D: DRY version** (dry operation - S1 duty type)

Available accessories



ZUG OC 065B

Performances



Characteristic curves according to UNI EN ISO 9906

OPEN CHANNEL impeller

ZUG OC 080A

4 ÷ 11 kW - 2 poles

Hydraulics

Open channel impeller

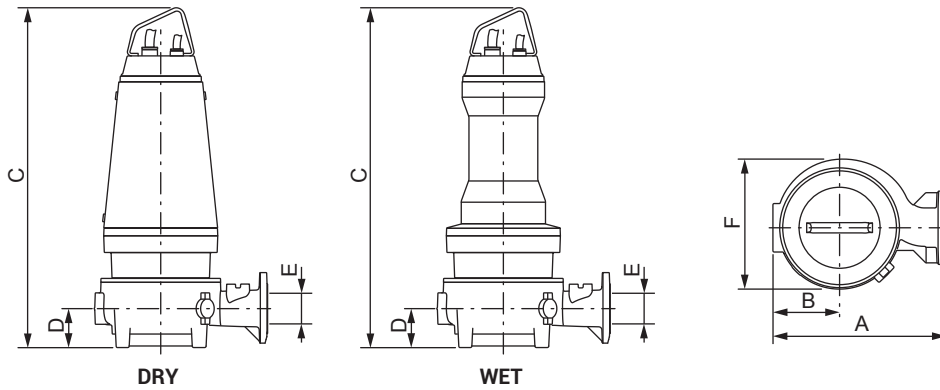
Free passage: 40 mm
 Discharge: DN80 - PN10-16 EN 1092-2
 Suction: DN80



Motor

Type	V/~	Start	A	cos φ	P1 (kW)	P2 (kW)	η mot. %	Efficiency class
4/2 B	400-700/3	Y Δ	8.3	0.79	4.5	4.0	88.1	IE3
5.5/2 B	400-700/3	Y Δ	10.2	0.87	6.2	5.5	89.2	IE3
7.5/2 B	400-700/3	Y Δ	14.1	0.85	8.3	7.5	90.1	IE3
9/2 B	400-700/3	Y Δ	16.6	0.87	9.9	9.0	90.7	IE3
11/2 B	400-700/3	Y Δ	20.0	0.87	11.0	12.0	91.7	IE3

Overall dimensions and weight

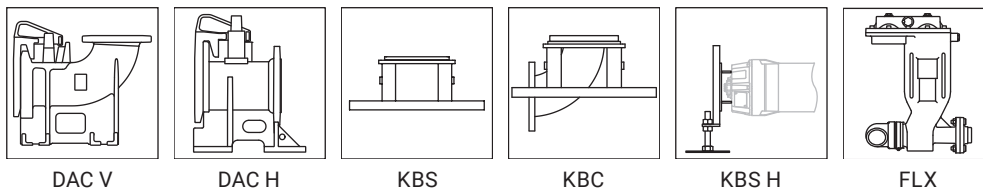


	A mm	B mm	C mm		D mm	E mm	F mm	Kg	
			WET	DRY				WET	DRY (*)
ZUG OC 080A 4/2 BW	327	142	707	-	91	80	271	70.7	-
ZUG OC 080A 5.5/2 BW	327	142	785	-	91	80	271	79.7	-
ZUG OC 080A 7.5/2 BW	327	142	850	-	91	80	271	104	-
ZUG OC 080A 9/2 BW	327	142	850	-	91	80	271	107	-
ZUG OC 080A 11/2 BW	327	142	850	-	91	80	271	110	-

(*) Weight for the DRY version includes cooling fluid

W: WET version (submerged operation - S1 duty type) / D: DRY version (dry operation - S1 duty type)

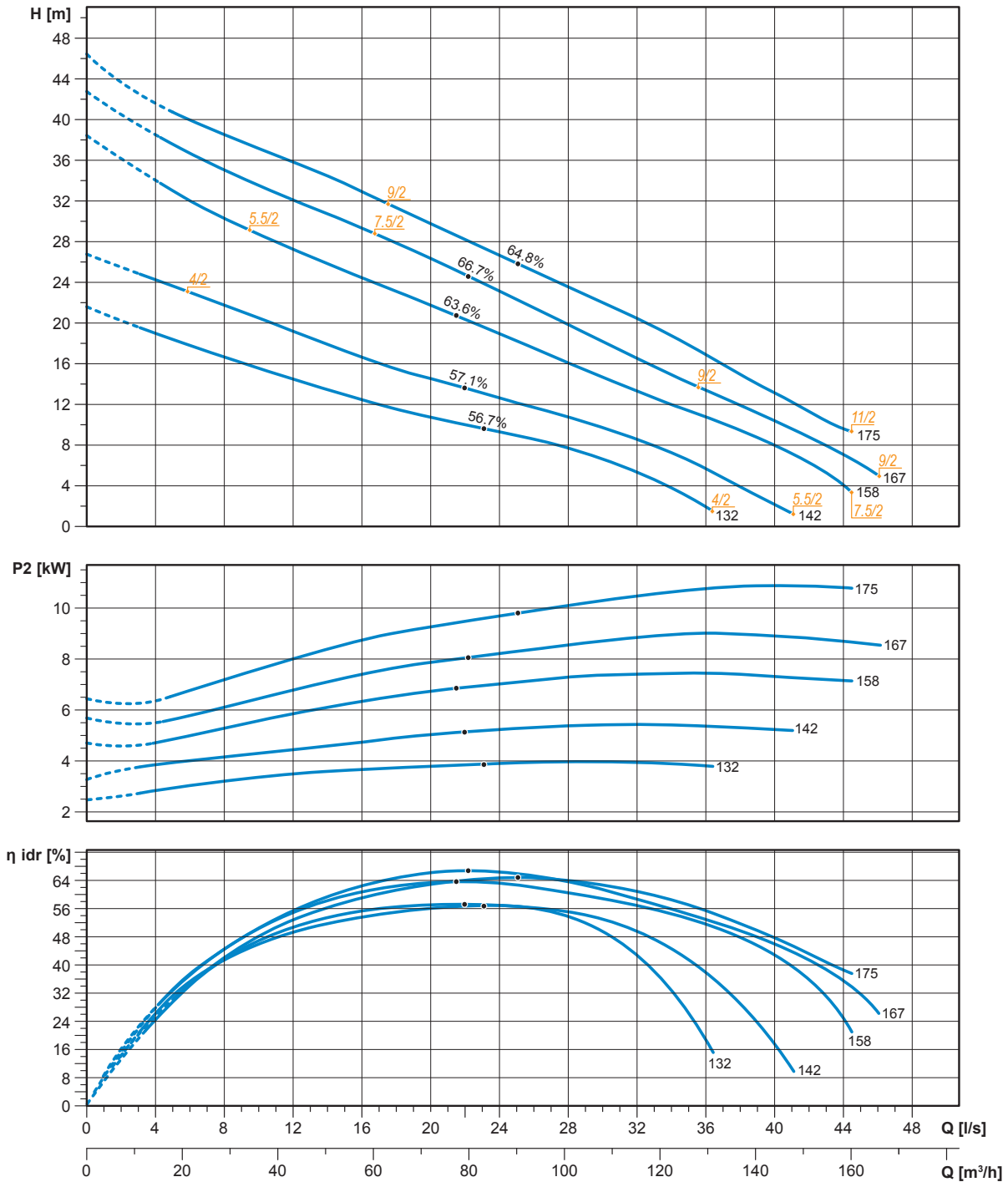
Available accessories



The data provided are not binding. Zenit reserves the right to modify any product without notice.

ZUG OC 080A

Performances



Characteristic curves according to UNI EN ISO 9906

OPEN CHANNEL impeller

ZUG OC 080B

4 ÷ 11 kW - 2 poles

Hydraulics

Open channel impeller

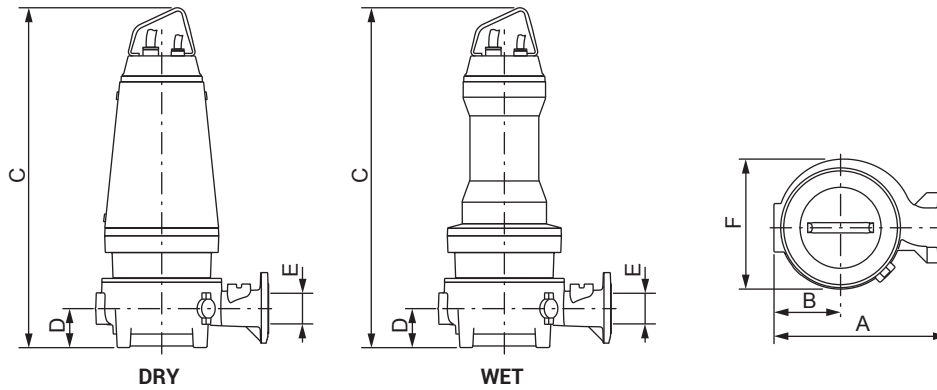
Free passage: 55 x 50 mm
 Discharge: DN80 - PN10-16 EN 1092-2
 Suction: DN80



Motor

Type	V/~	Start	A	cos φ	P1 (kW)	P2 (kW)	η mot. %	Efficiency class
4/2 B	400-700/3	Y Δ	8.3	0.79	4.5	4.0	88.1	IE3
5.5/2 B	400-700/3	Y Δ	10.2	0.87	6.2	5.5	89.2	IE3
7.5/2 B	400-700/3	Y Δ	14.1	0.85	8.3	7.5	90.1	IE3
9/2 B	400-700/3	Y Δ	16.6	0.87	9.9	9.0	90.7	IE3
11/2 B	400-700/3	Y Δ	20.0	0.87	11.0	12.0	91.7	IE3

Overall dimensions and weight

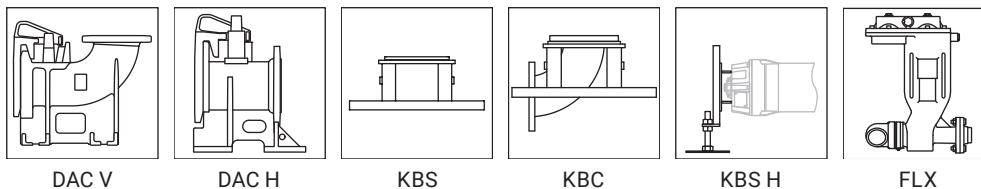


	A mm	B mm	C mm		D mm	E mm	F mm	Kg	
			WET	DRY				WET	DRY (*)
ZUG OC 080B 4/2 BW	327	142	707	-	91	80	271	70.7	-
ZUG OC 080B 5.5/2 BW	327	142	785	-	91	80	271	79.7	-
ZUG OC 080B 7.5/2 BW	327	142	850	-	91	80	271	104	-
ZUG OC 080B 9/2 BW	327	142	850	-	91	80	271	107	-
ZUG OC 080B 11/2 BW	327	142	850	-	91	80	271	110	-

(*) Weight for the DRY version includes cooling fluid

W: WET version (submerged operation - S1 duty type) / D: DRY version (dry operation - S1 duty type)

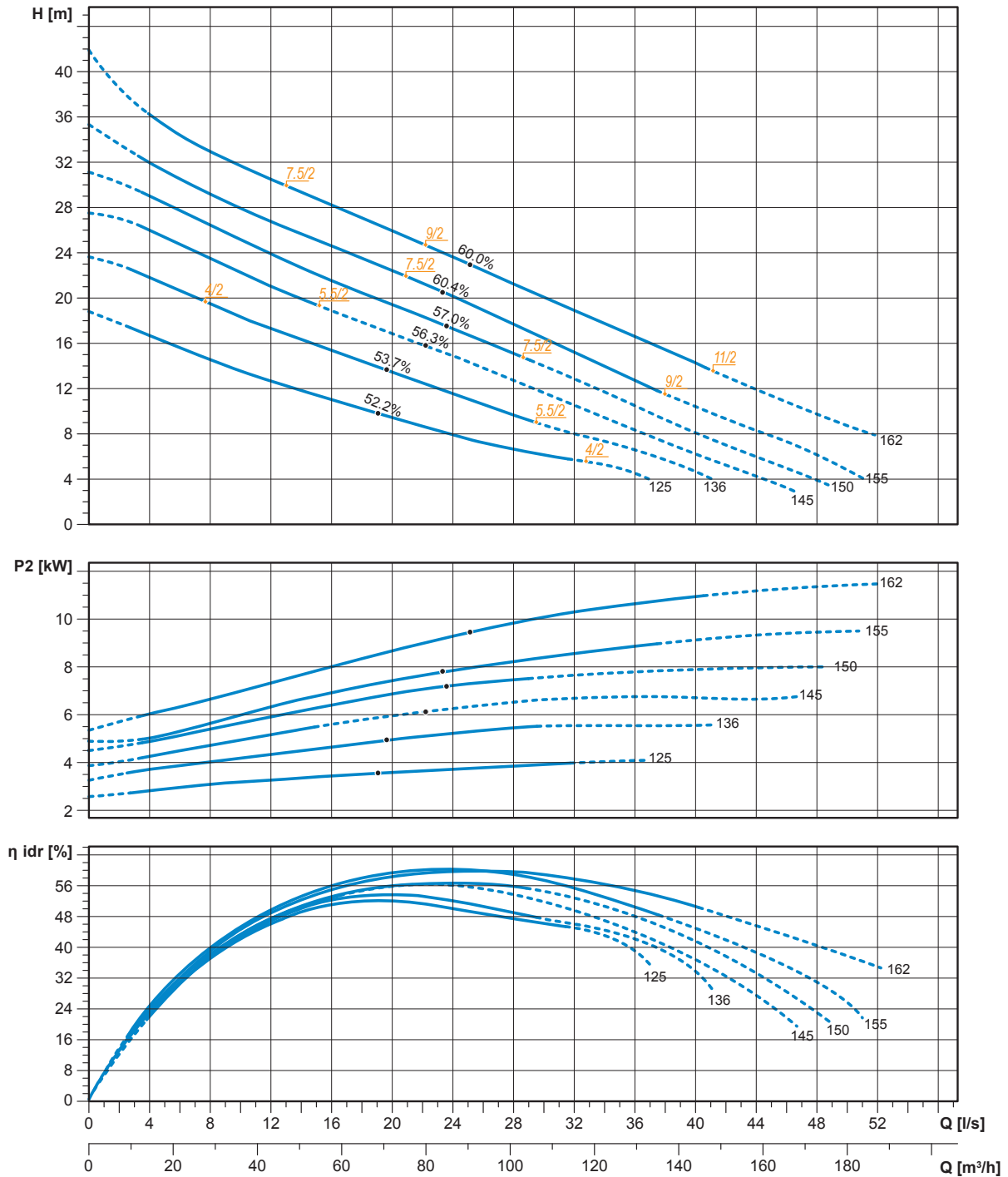
Available accessories



The data provided are not binding. Zenit reserves the right to modify any product without notice.

ZUG OC 080B

Performances



Characteristic curves according to UNI EN ISO 9906

OPEN CHANNEL impeller

ZUG OC 080D

4 ÷ 11 kW - 4 poles

Hydraulics

Open channel impeller

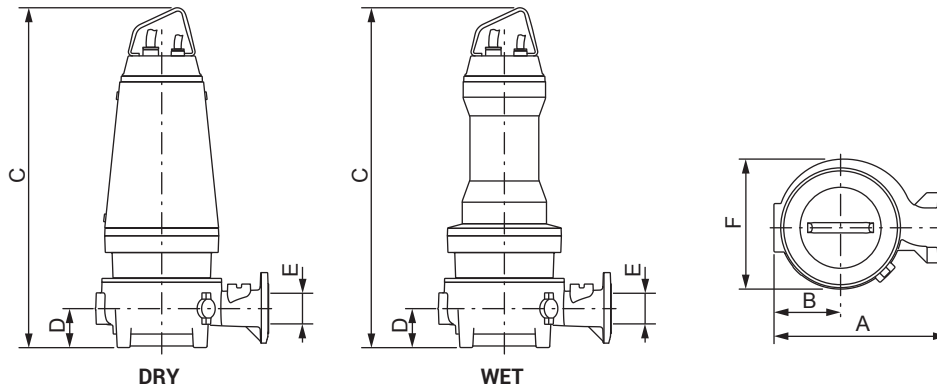
Free passage: 65 x 60 mm
 Discharge: DN80 - PN10-16 EN 1092-2
 Suction: DN150



Motor

Type	V/~	Start	A	cos φ	P1 (kW)	P2 (kW)	η mot. %	Efficiency class
4/4 A	400-700/3	Y Δ	8.4	0.77	4.5	4.0	88.7	IE3
5.5/4 A	400-700/3	Y Δ	11.7	0.76	6.1	5.5	89.6	IE3
7.5/4 A	400-700/3	Y Δ	14.5	0.83	8.3	7.5	90.4	IE3
9/4 A	400-700/3	Y Δ	18.3	0.78	9.9	9.0	90.8	IE3
11/4 A	400-700/3	Y Δ	21.3	0.81	12.0	11.0	91.4	IE3

Overall dimensions and weight

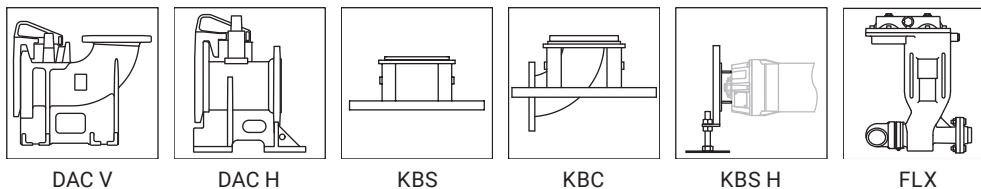


	A	B	C mm		D	E	F	Kg	
	mm	mm	WET	DRY	mm	mm	mm	WET	DRY (*)
ZUG OC 080D 4/4 AW (D)	481	188	950	1025	124	80	375	174	259
ZUG OC 080D 5.5/4 AW (D)	481	188	950	1025	124	80	375	177	261.3
ZUG OC 080D 7.5/4 AW (D)	481	188	1025	1025	124	80	375	226.3	263
ZUG OC 080D 9/4 AW (D)	481	188	1115	1115	124	80	375	247.3	280.3
ZUG OC 080D 11/4 AW (D)	494	201	1165	1165	124	80	403	298.5	345.5

(*) Weight for the DRY version includes cooling fluid

W: WET version (submerged operation - S1 duty type) / D: DRY version (dry operation - S1 duty type)

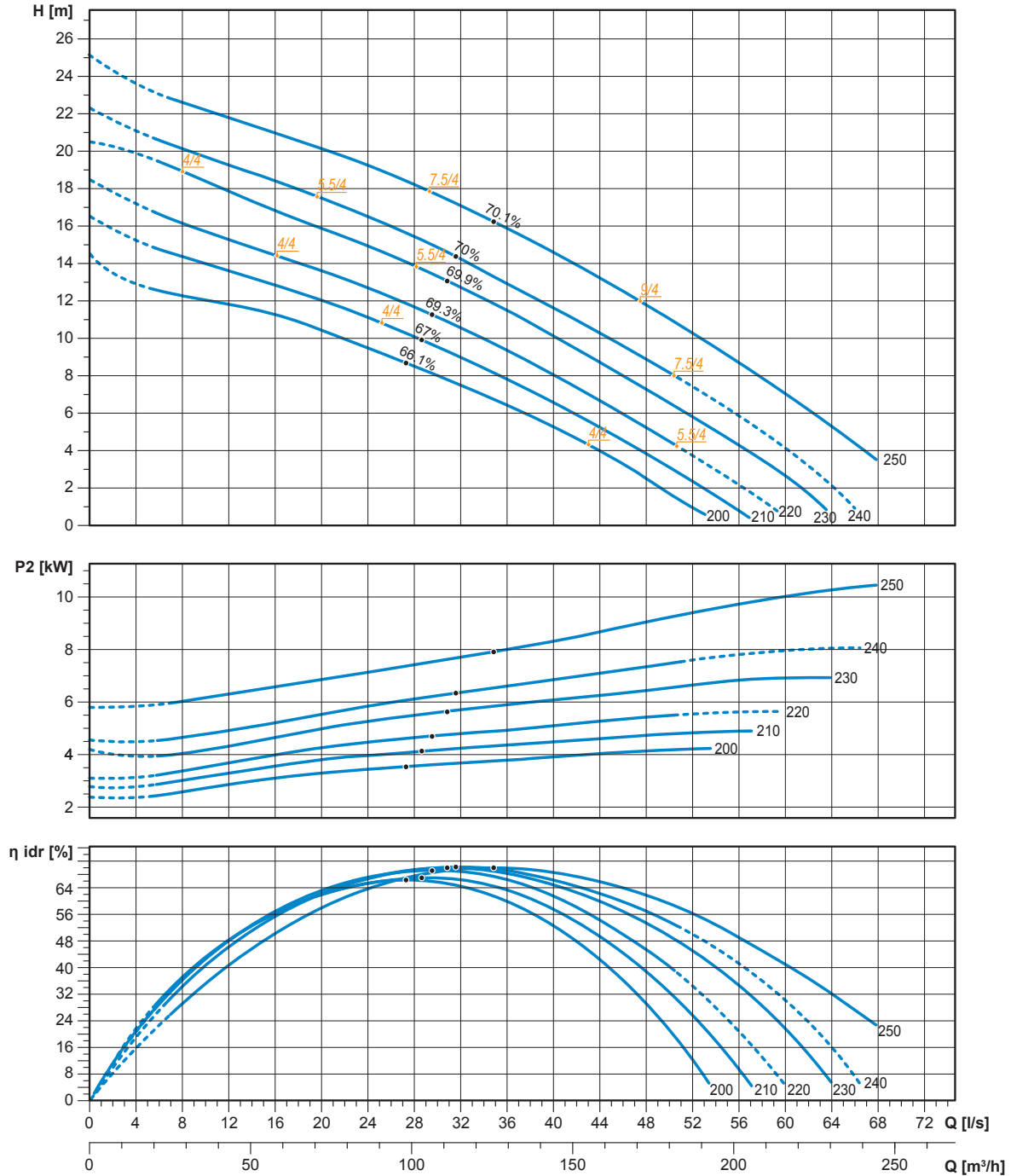
Available accessories



The data provided are not binding. Zenit reserves the right to modify any product without notice.

ZUG OC 080D

Performances



Characteristic curves according to UNI EN ISO 9906

OPEN CHANNEL impeller

ZUG OC 080E

1.8 ÷ 3 kW - 2 poles

Hydraulics

Open channel impeller

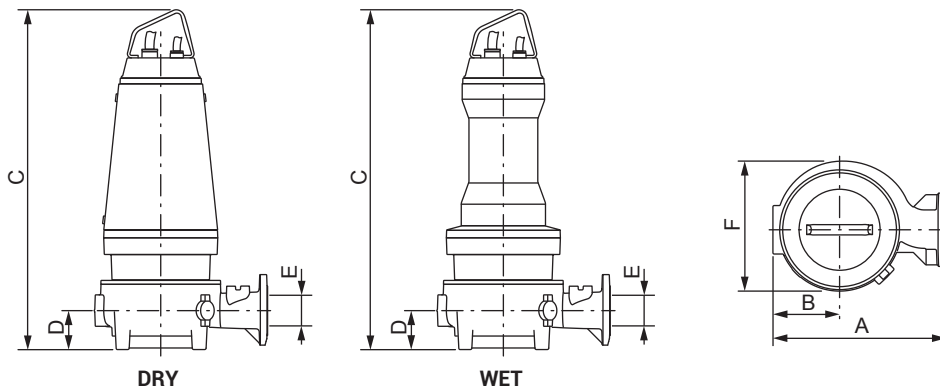
Free passage: 40 x 35 mm
 Discharge: DN80 - PN10-16 EN 1092-2
 Suction: DN80



Motor

Type	V/~	Start	A	cos φ	P1 (kW)	P2 (kW)	η mot. %	Efficiency class
1.8/2 B	400/3	Dir	3.8	0.8	2.1	1.8	85.3	IE3
2.2/2 B	400/3	Dir	4.4	0.84	2.6	2.2	85.9	IE3
3/2 B	400/3	Dir	6.0	0.83	3.4	3.0	87.1	IE3

Overall dimensions and weight

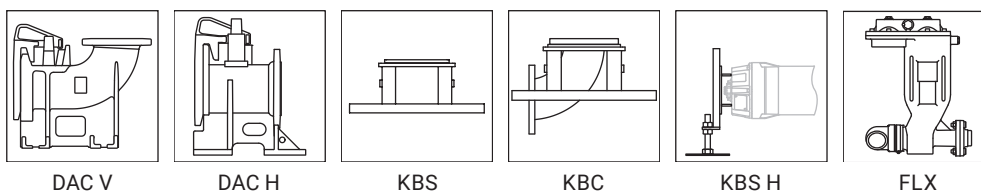


	A mm	B mm	C mm		D mm	E mm	F mm	Kg	
			WET	DRY				WET	DRY (*)
ZUG OC 080E 1.8/2 BW (D)	345	135	614	614	80	80	252	47.8	47.8
ZUG OC 080E 2.2/2 BW	345	135	614	-	80	80	252	48	-
ZUG OC 080E 3/2 BW	345	135	614	-	80	80	252	49.3	-

(*) Weight for the DRY version includes cooling fluid

W: WET version (submerged operation - S1 duty type) / **D: DRY version** (dry operation - S1 duty type)

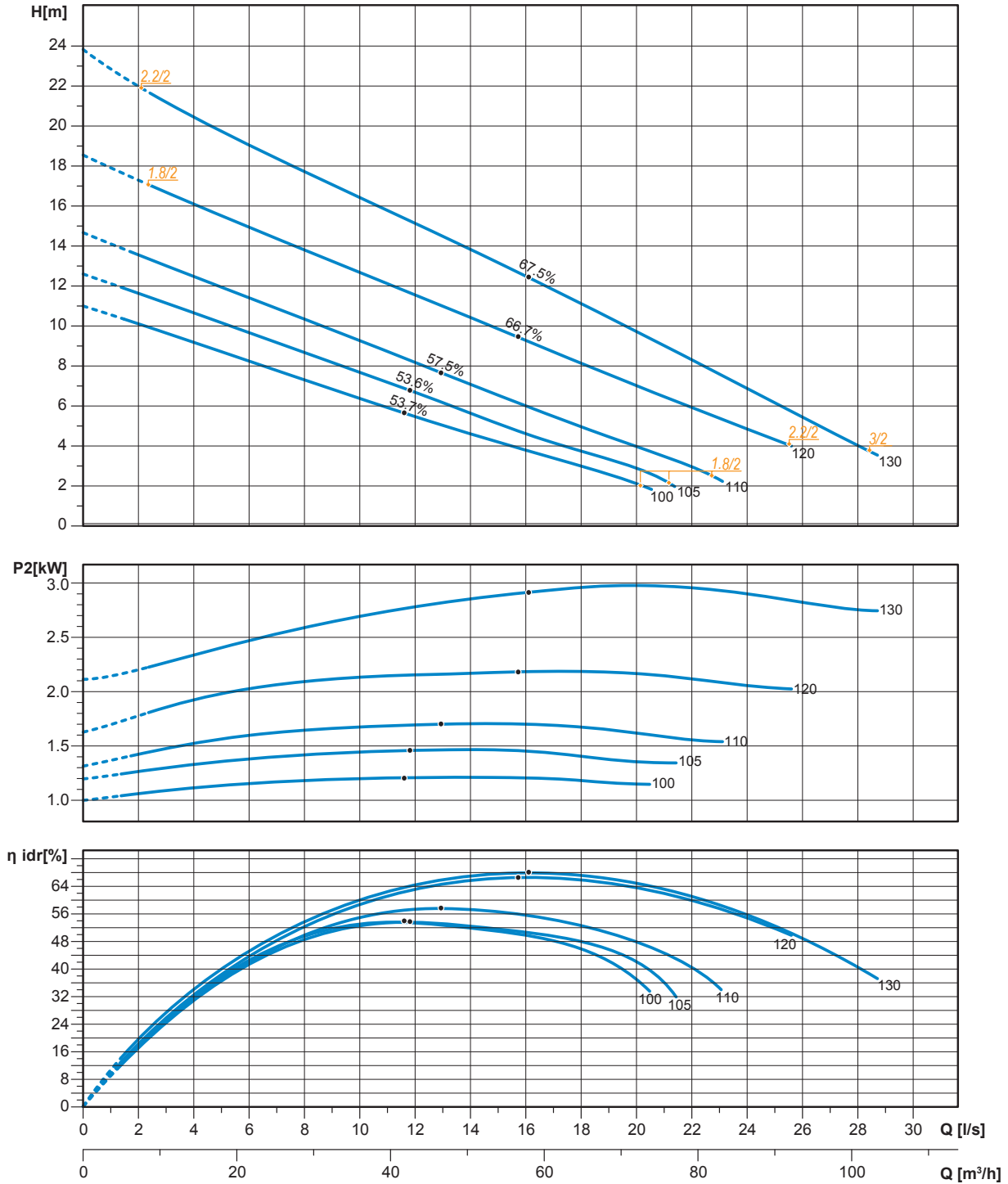
Available accessories



The data provided are not binding. Zenit reserves the right to modify any product without notice.

ZUG OC 080E

Performances



Characteristic curves according to UNI EN ISO 9906

OPEN CHANNEL impeller

ZUG OC 080G

15 ÷ 18.5 kW - 2 poles

Hydraulics

Open channel impeller

Free passage: 75 mm

Discharge: DN80 - PN10-16 EN 1092-2

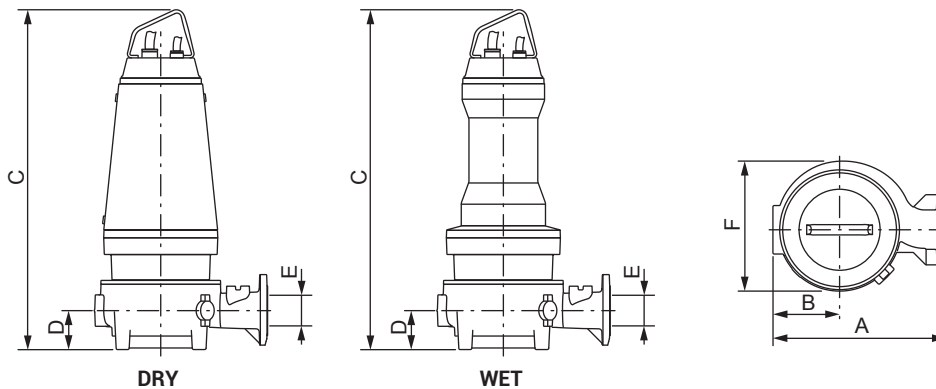
Suction: DN80



Motor

Type	V/~	Start	A	cos φ	P1 (kW)	P2 (kW)	η mot. %	Efficiency class
15/2 B	400-700/3	Y Δ	26.7	0.88	16.3	15.0	91.9	IE3
18.5/2 B	400-700/3	Y Δ	33.1	0.87	20.0	18.5	92.3	IE3

Overall dimensions and weight

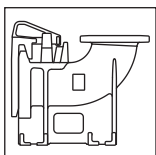


	A mm	B mm	C mm		D mm	E mm	F mm	Kg	
			WET	DRY				WET	DRY (*)
ZUG OC 080G 15/2 BW	393	151	1033	-	88	80	293	209	-
ZUG OC 080G 18.5/2 BW	393	151	1067	-	88	80	293	218.5	-

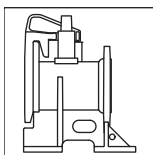
(*) Weight for the DRY version includes cooling fluid

W: WET version (submerged operation - S1 duty type) / **D: DRY version** (dry operation - S1 duty type)

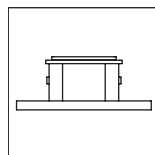
Available accessories



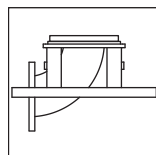
DAC V



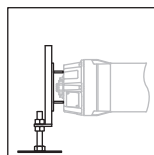
DAC H



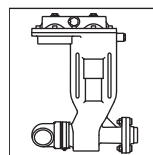
KBS



KBC

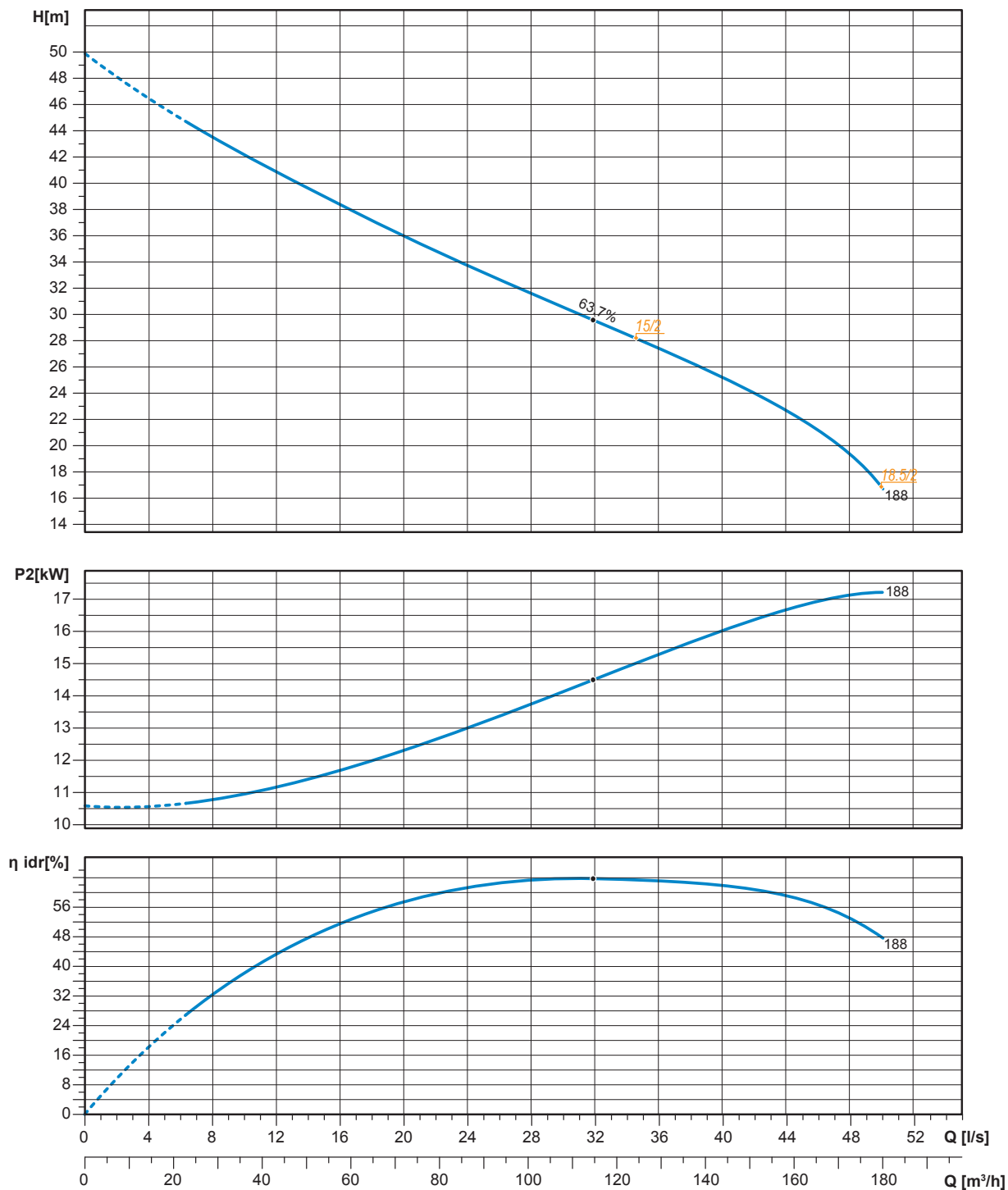


KBS H



FLX

Performances



Characteristic curves according to UNI EN ISO 9906

OPEN CHANNEL impeller

ZUG OC 080G

3 kW - 4 poles

Hydraulics

Open channel impeller

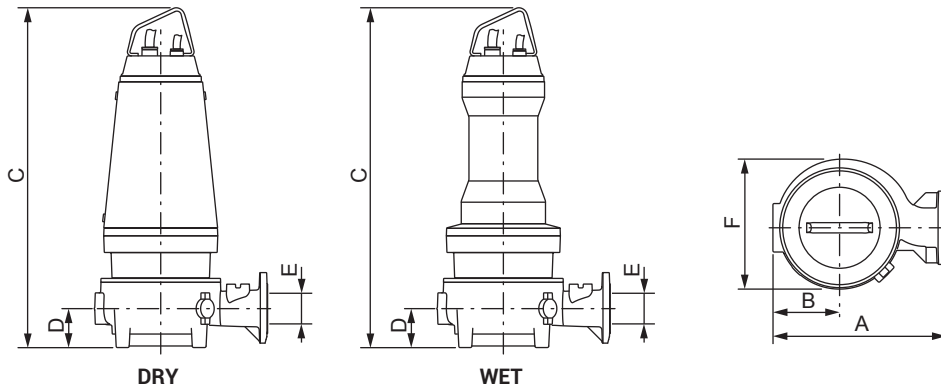
Free passage: 75 mm
 Discharge: DN80 - PN10-16 EN 1092-2
 Suction: DN80



Motor

Type	V/~	Start	A	cos φ	P1 (kW)	P2 (kW)	η mot. %	Efficiency class
3/4 A	400-700/3	Y Δ	6.6	0.75	3.4	3.0	87.7	IE3

Overall dimensions and weight

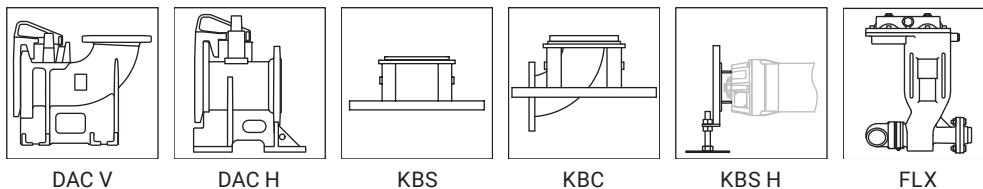


	A	B	C mm		D	E	F	Kg	
	mm	mm	WET	DRY	mm	mm	mm	WET	DRY (*)
ZUG OC 080G 3/4 AW	393	151	801	-	88	80	303	125	-

(*) Weight for the DRY version includes cooling fluid

W: WET version (submerged operation - S1 duty type) / **D: DRY version** (dry operation - S1 duty type)

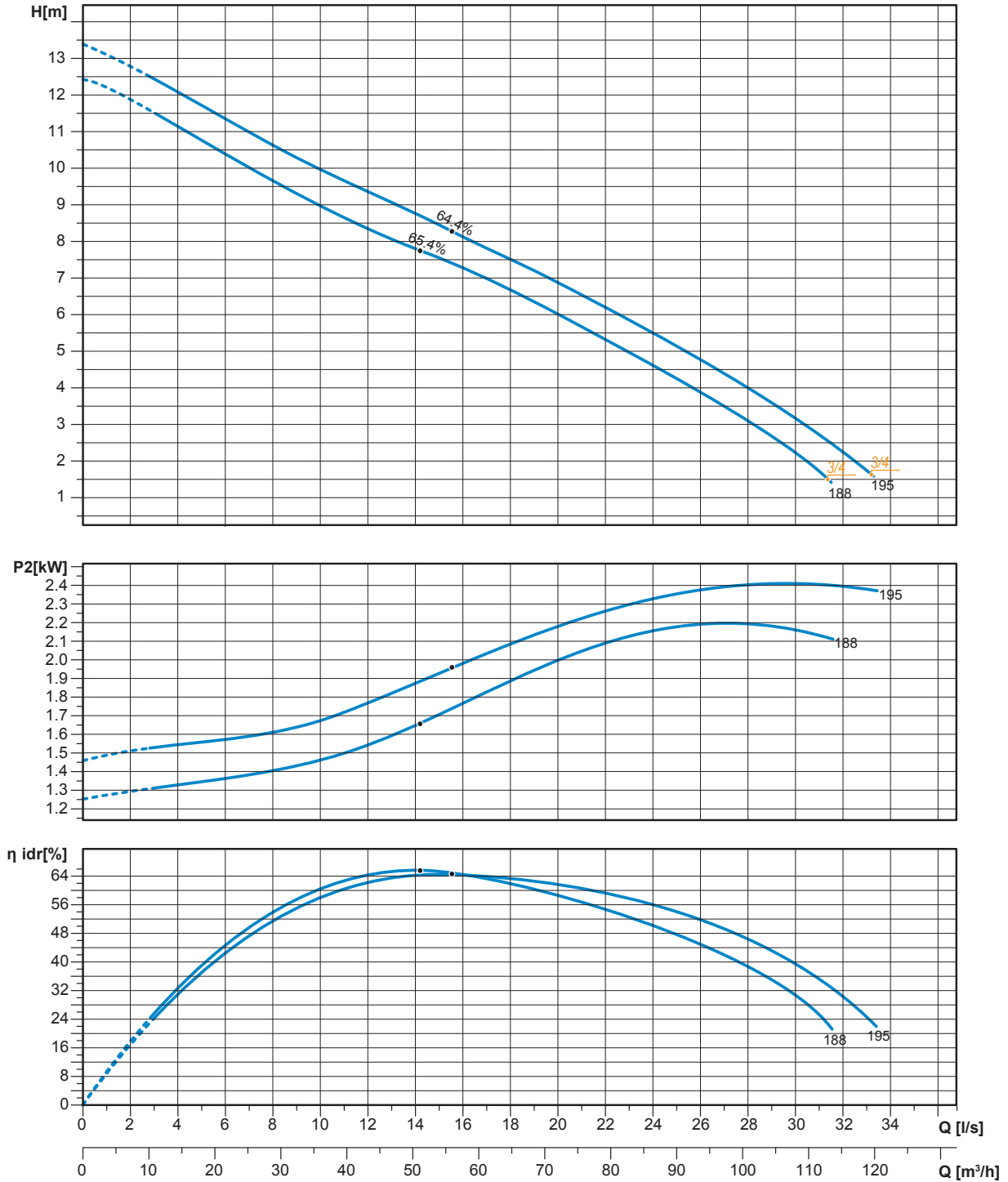
Available accessories



The data provided are not binding. Zenit reserves the right to modify any product without notice.

ZUG OC 080G

Performances



Characteristic curves according to UNI EN ISO 9906

OPEN CHANNEL impeller

ZUG OC 080H

3 ÷ 4 kW - 4 poles

Hydraulics

Open channel impeller

Free passage: 75 mm

Discharge: DN80 - PN10-16 EN 1092-2

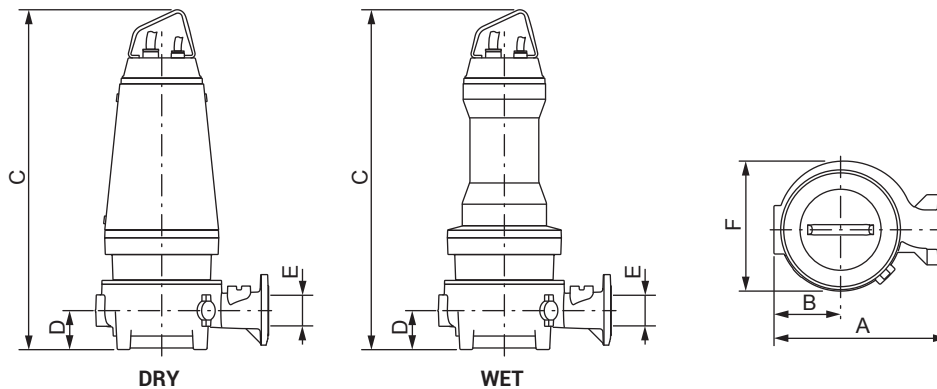
Suction: DN100



Motor

Type	V/~	Start	A	cos φ	P1 (kW)	P2 (kW)	η mot. %	Efficiency class
3/4 A	400-700/3	Y Δ	6.6	0.75	3.4	3.0	87.7	IE3
4/4 A	400-700/3	Y Δ	8.4	0.77	4.5	4.0	88.7	IE3

Overall dimensions and weight

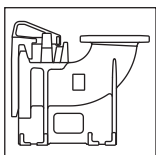


	A mm	B mm	C mm		D mm	E mm	F mm	Kg	
			WET	DRY				WET	DRY (*)
ZUG OC 080H 3/4 AW	393	151	801	-	88	80	303	125	-
ZUG OC 080H 4/4 AW	393	151	901	-	88	80	303	143	-

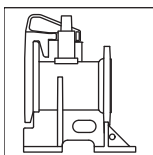
(*) Weight for the DRY version includes cooling fluid

W: WET version (submerged operation - S1 duty type) / **D: DRY version** (dry operation - S1 duty type)

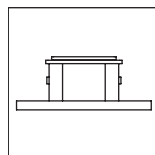
Available accessories



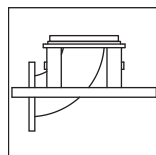
DAC V



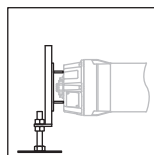
DAC H



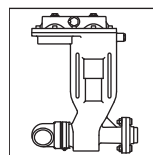
KBS



KBC



KBS H

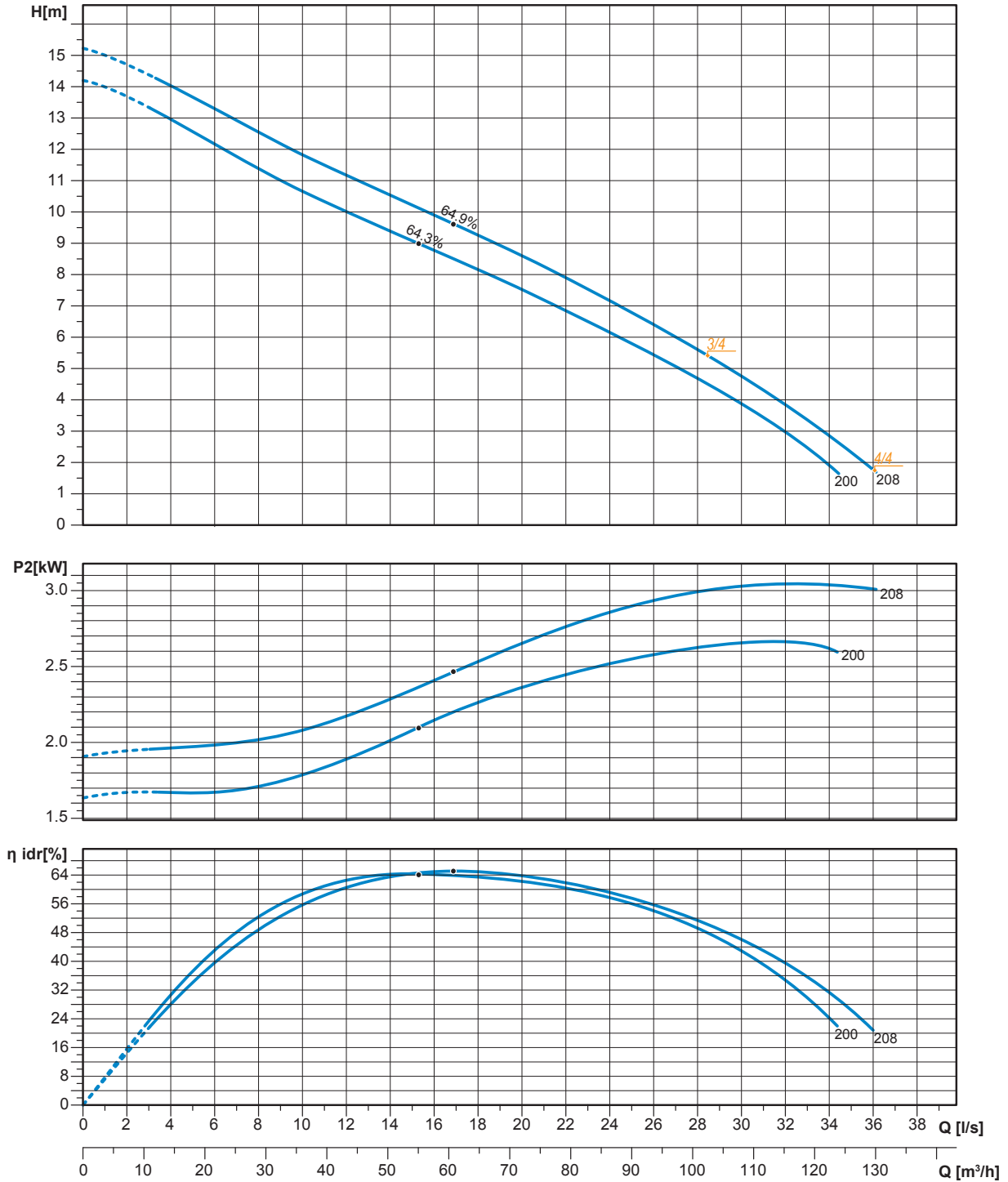


FLX

The data provided are not binding. Zenit reserves the right to modify any product without notice.

ZUG OC 080H

Performances



Characteristic curves according to UNI EN ISO 9906

OPEN CHANNEL impeller

ZUG OC 080H

1.1 kW - 6 poles

Hydraulics

Open channel impeller

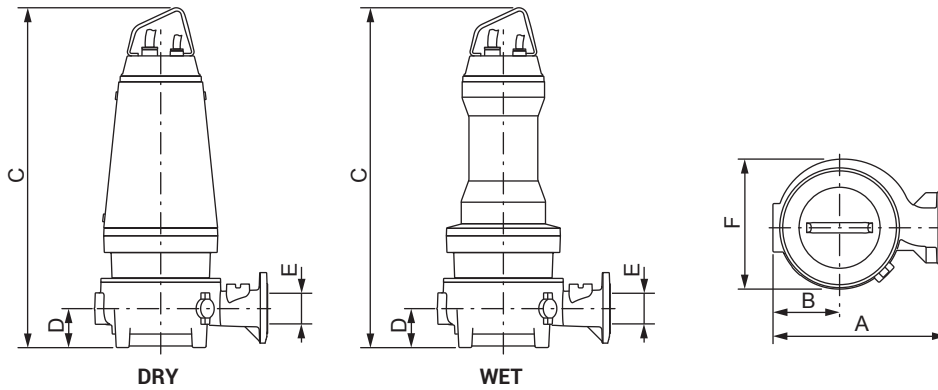
Free passage: 75 mm
 Discharge: DN80 - PN10-16 EN 1092-2
 Suction: DN100



Motor

Type	V/~	Start	A	cos φ	P1 (kW)	P2 (kW)	η mot. %	Efficiency class
1.1/6 B	400-700/3	Y Δ	2.9	0.67	1.4	1.1	81.0	IE3

Overall dimensions and weight

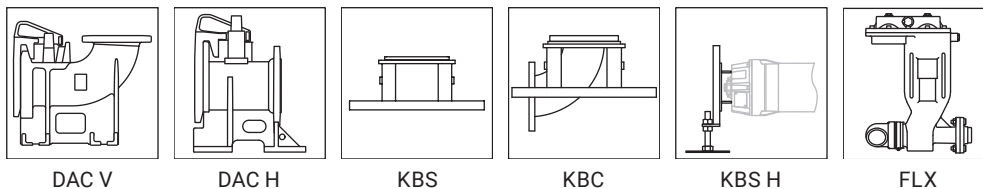


	A	B	C mm		D	E	F	Kg	
	mm	mm	WET	DRY	mm	mm	mm	WET	DRY (*)
ZUG OC 080H 1.1/6 BW	394	151	655	-	88	80	292	59	-

(*) Weight for the DRY version includes cooling fluid

W: WET version (submerged operation - S1 duty type) / **D: DRY version** (dry operation - S1 duty type)

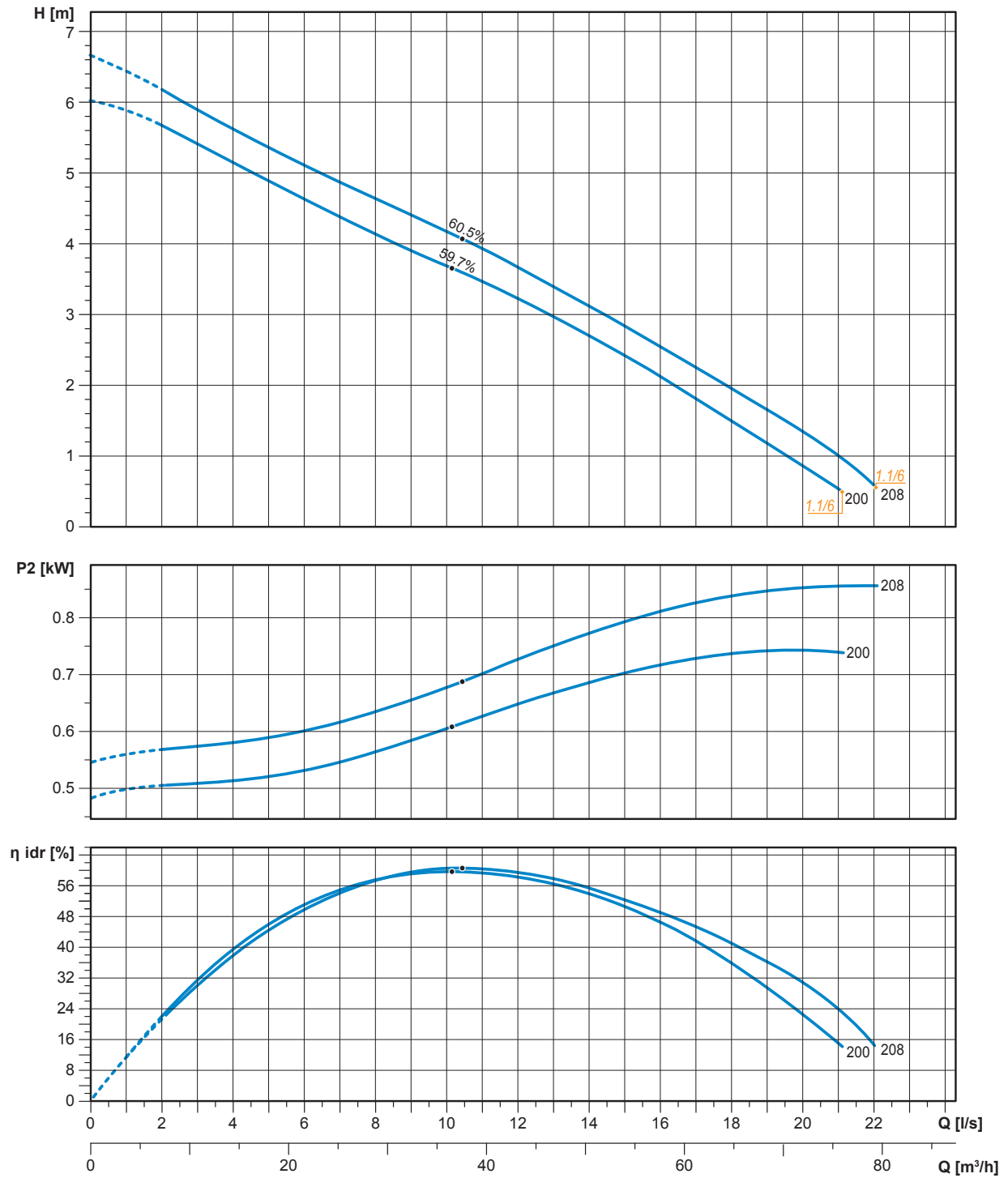
Available accessories



The data provided are not binding. Zenit reserves the right to modify any product without notice.

ZUG OC 080H

Performances



Characteristic curves according to UNI EN ISO 9906

OPEN CHANNEL impeller

ZUG OC 080N

1.1 kW - 6 poles

Hydraulics

Open channel impeller

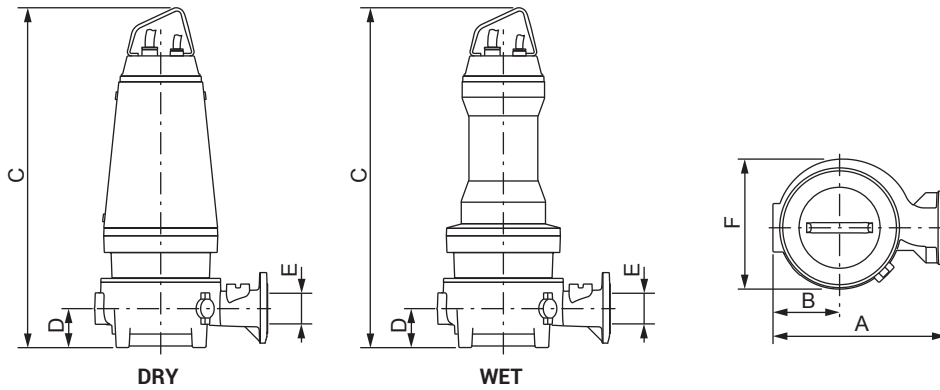
Free passage: 60 mm
 Discharge: DN80 - PN10-16 EN 1092-2
 Suction: DN100



Motor

Type	V/~	Start	A	cos φ	P1 (kW)	P2 (kW)	η mot. %	Efficiency class
1.1/6 B	400-700/3	Y Δ	2.9	0.67	1.4	1.1	81.0	IE3

Overall dimensions and weight

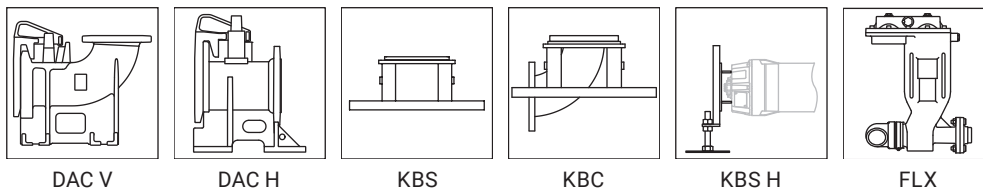


	A	B	C mm		D	E	F	Kg	
	mm	mm	WET	DRY	mm	mm	mm	WET	DRY (*)
ZUG OC 080N 1.1/6 BW	394	151	655	-	88	80	292	59	-

(*) Weight for the DRY version includes cooling fluid

W: WET version (submerged operation - S1 duty type) / **D: DRY version** (dry operation - S1 duty type)

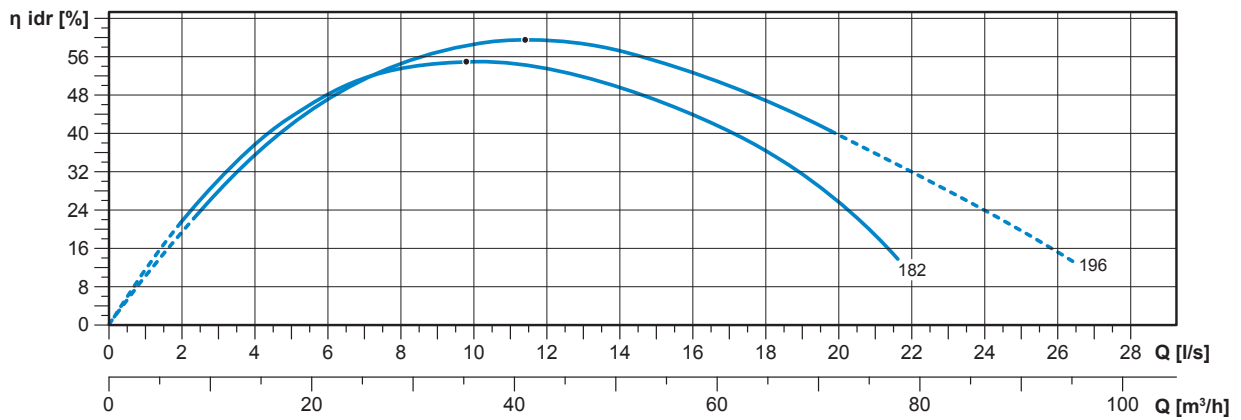
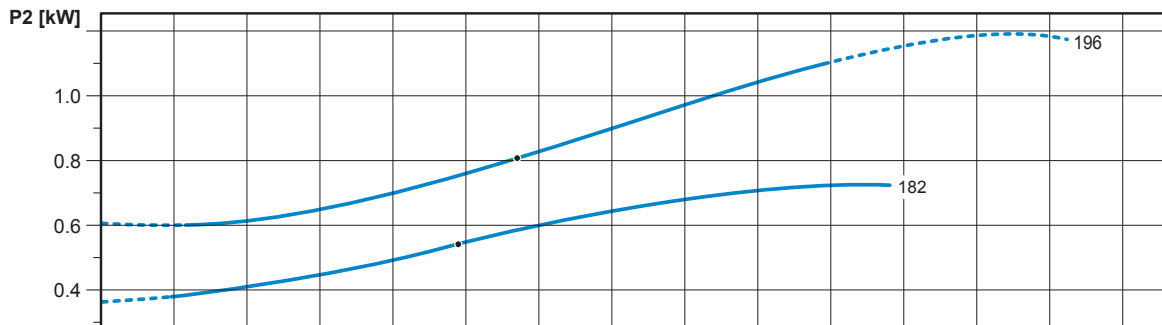
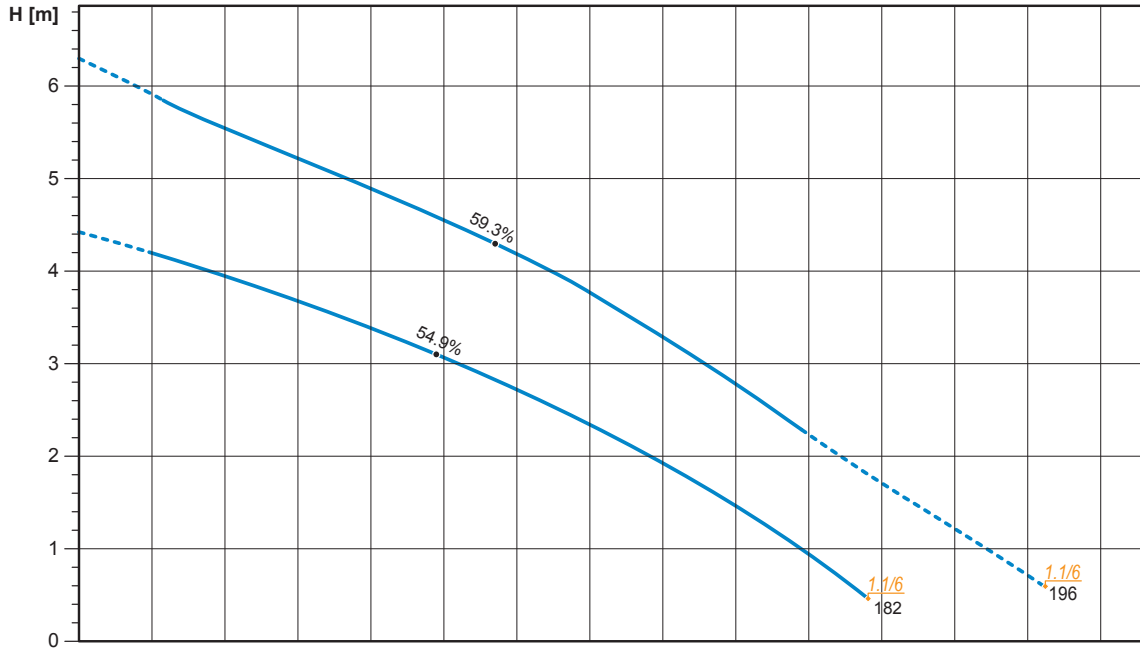
Available accessories



The data provided are not binding. Zenit reserves the right to modify any product without notice.

ZUG OC 080N

Performances



Characteristic curves according to UNI EN ISO 9906

OPEN CHANNEL impeller

ZUG OC 100A

7.5 ÷ 18.5 kW - 4 poles

Hydraulics

Open channel impeller

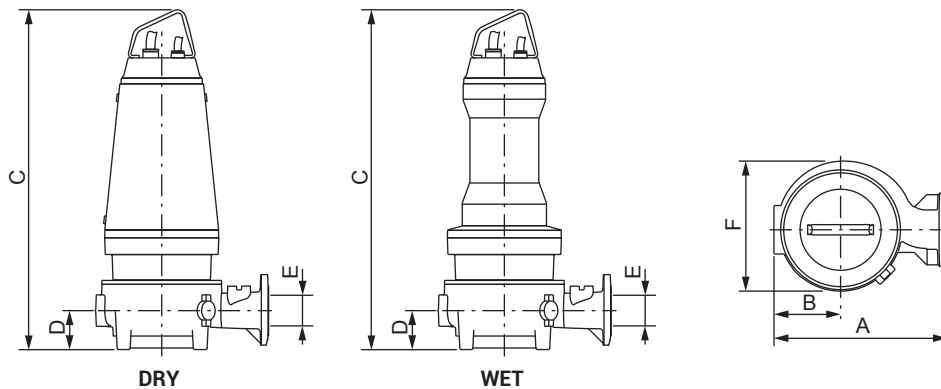
Free passage: 80 mm
 Discharge: DN100 - PN10-16 EN 1092-2
 Suction: DN150



Motor

Type	V/~	Start	A	cos φ	P1 (kW)	P2 (kW)	η mot. %	Efficiency class
7.5/4 A	400-700/3	Y Δ	14.5	0.83	8.3	7.5	90.4	IE3
9/4 A	400-700/3	Y Δ	18.3	0.78	9.9	9.0	90.8	IE3
11/4 A	400-700/3	Y Δ	21.3	0.81	12.0	11.0	91.4	IE3
15/4 A	400-700/3	Y Δ	28.2	0.84	16.3	15.0	91.9	IE3
18.5/4 A	400-700/3	Y Δ	35.2	0.82	20.0	18.5	92.6	IE3

Overall dimensions and weight

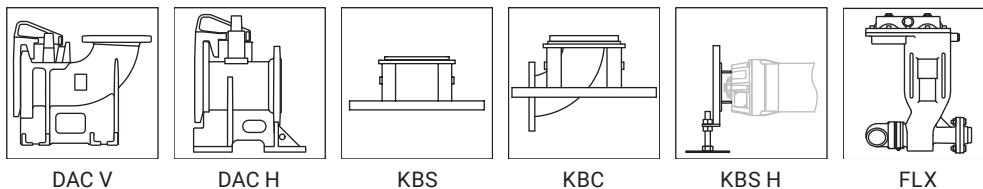


	A mm	B mm	C mm		D mm	E mm	F mm	Kg	
			WET	DRY				WET	DRY (*)
ZUG OC 100A 7.5/4 AW (D)	548	208	1025	1025	124	100	414	240	275
ZUG OC 100A 9/4 AW (D)	548	208	1115	1115	124	100	414	240	294
ZUG OC 100A 11/4 AW (D)	548	208	1166	1166	124	100	414	312.2	359.2
ZUG OC 100A 15/4 AW (D)	548	208	1166	1166	124	100	414	325.9	372.9
ZUG OC 100A 18.5/4 AW (D)	561	221	1349	1349	124	100	443	410.5	463.5

(*) Weight for the DRY version includes cooling fluid

W: WET version (submerged operation - S1 duty type) / D: DRY version (dry operation - S1 duty type)

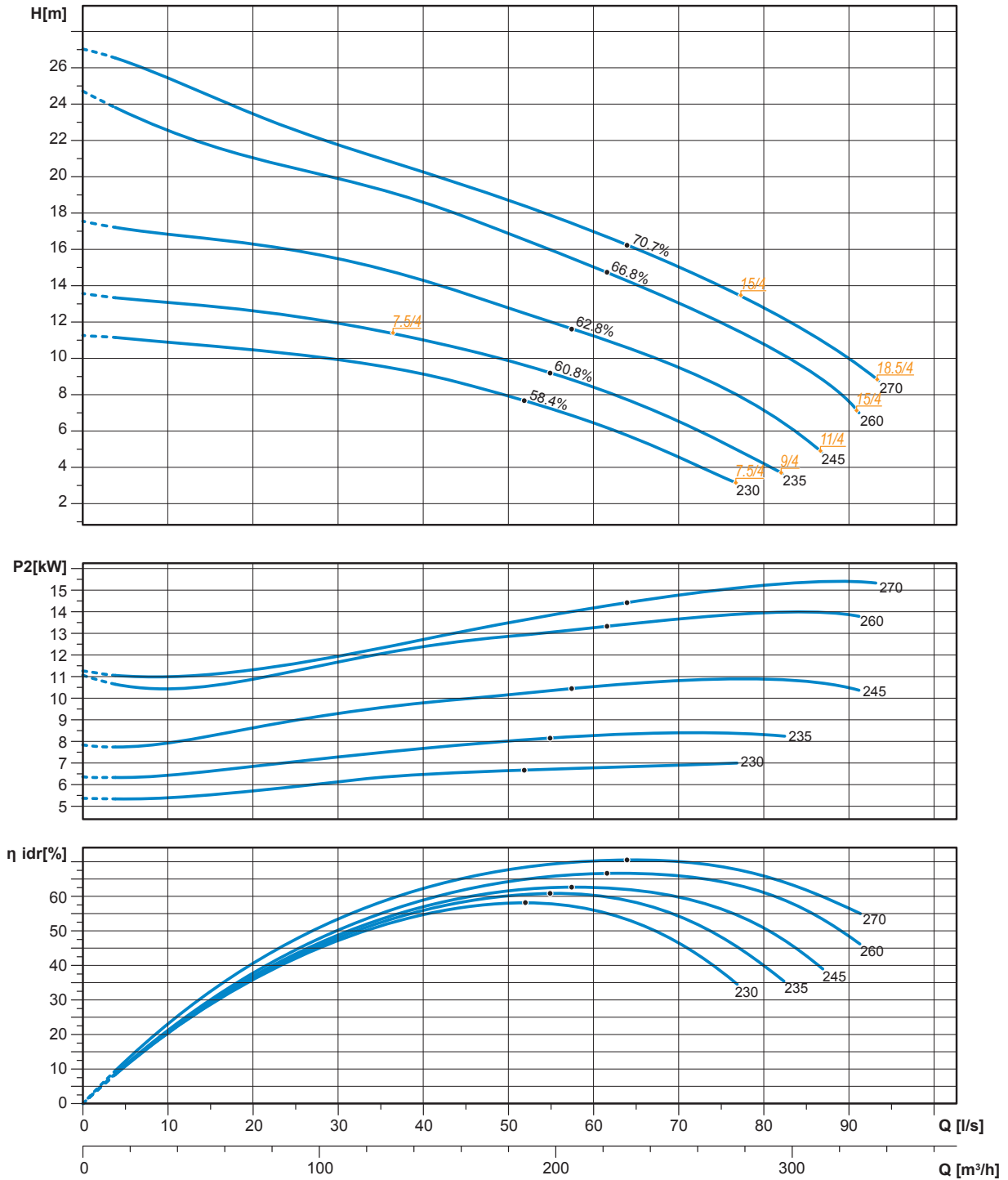
Available accessories



The data provided are not binding. Zenit reserves the right to modify any product without notice.

ZUG OC 100A

Performances



Characteristic curves according to UNI EN ISO 9906

OPEN CHANNEL impeller

ZUG OC 100B

11 ÷ 45 kW - 4 poles

Hydraulics

Open channel impeller

Free passage: 80 mm

Discharge: DN100 - PN10-16 EN 1092-2

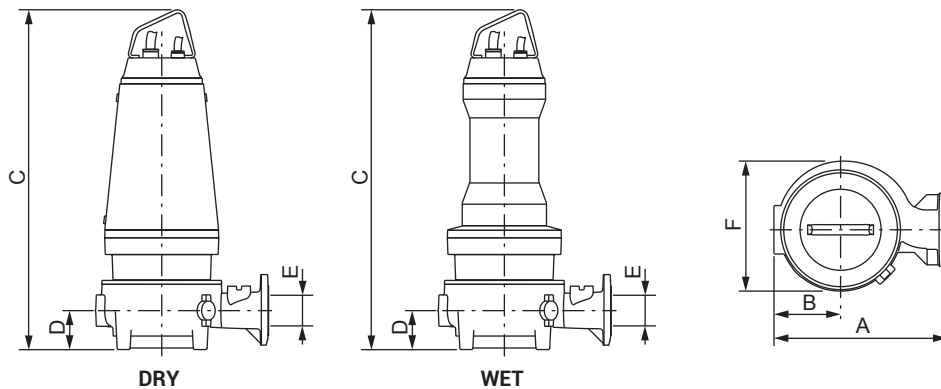
Suction: DN150



Motor

Type	V/~	Start	A	cos φ	P1 (kW)	P2 (kW)	η mot. %	Efficiency class
11/4 A	400-700/3	Y Δ	21.3	0.81	12.0	11.0	91.4	IE3
15/4 A	400-700/3	Y Δ	28.2	0.84	16.3	15.0	91.9	IE3
18.5/4 A	400-700/3	Y Δ	35.2	0.82	20.0	18.5	92.6	IE3

Overall dimensions and weight

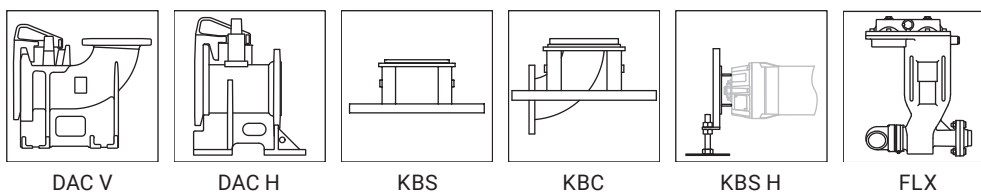


	A mm	B mm	C mm		D mm	E mm	F mm	Kg	
			WET	DRY				WET	DRY (*)
ZUG OC 100B 11/4 AW (D)	590	240	1170	1170	120	100	475	313	360
ZUG OC 100B 15/4 AW (D)	590	240	1170	1170	120	100	475	326	373
ZUG OC 100B 18.5/4 AW (D)	590	240	1350	1350	120	100	475	411	464

(*) Weight for the DRY version includes cooling fluid

W: WET version (submerged operation - S1 duty type) / **D: DRY version** (dry operation - S1 duty type)

Available accessories

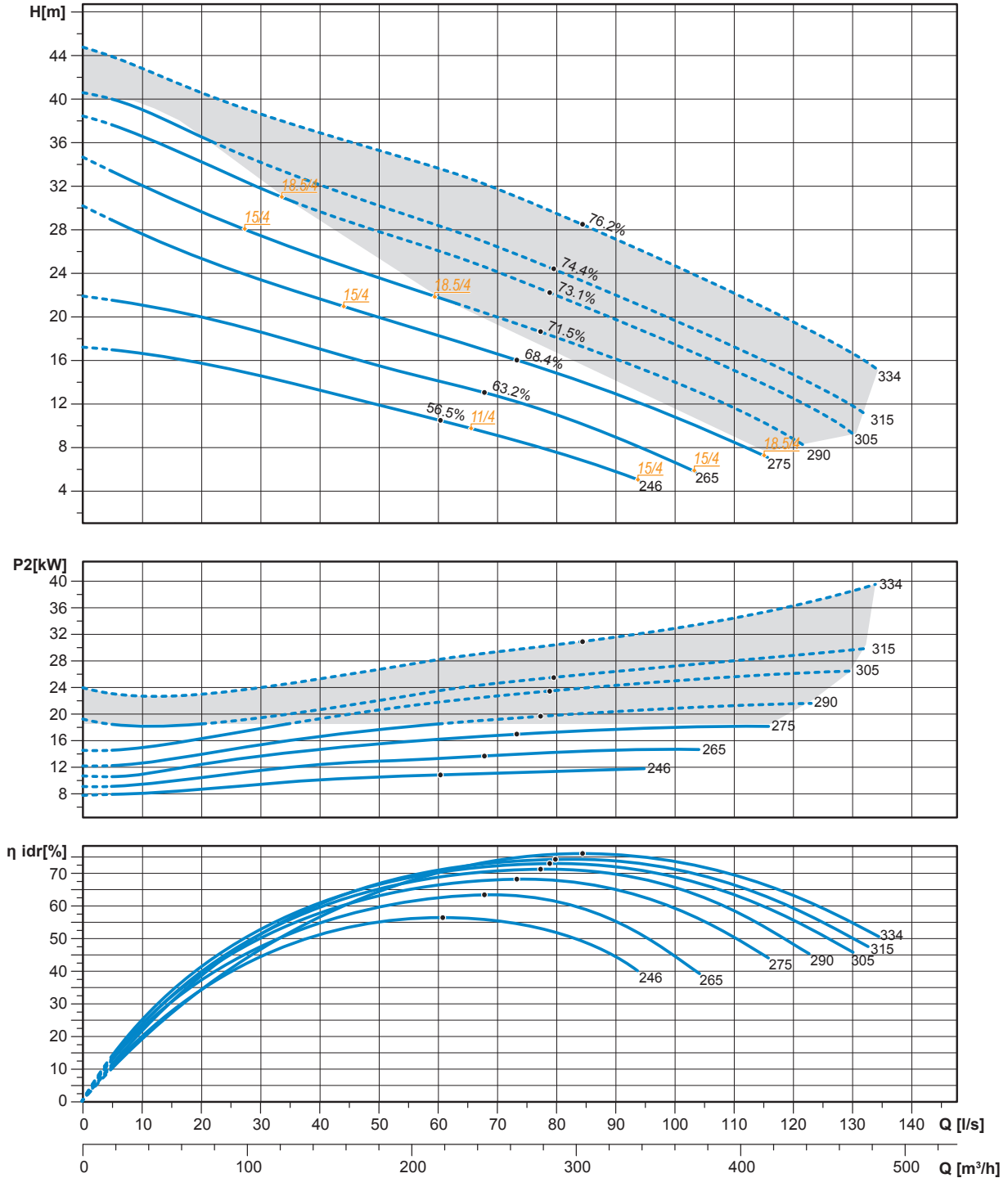


The data provided are not binding. Zenit reserves the right to modify any product without notice.

ZUG OC 100B

Performances

Contact Zenit



Characteristic curves according to UNI EN ISO 9906

OPEN CHANNEL impeller

ZUG OC 100E

4 ÷ 9 kW - 4 poles

Hydraulics

Open channel impeller

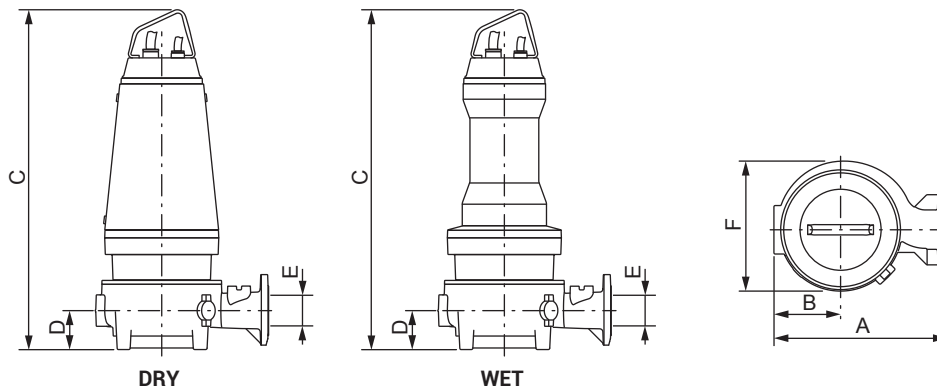
Free passage: 80 mm
 Discharge: DN100 - PN10-16 EN 1092-2
 Suction: DN150



Motor

Type	V/~	Start	A	cos φ	P1 (kW)	P2 (kW)	η mot. %	Efficiency class
4/4 A	400-700/3	Y Δ	8.4	0.77	4.5	4.0	88.7	IE3
5.5/4 A	400-700/3	Y Δ	11.7	0.76	6.1	5.5	89.6	IE3
7.5/4 A	400-700/3	Y Δ	14.5	0.83	8.3	7.5	90.4	IE3
9/4 A	400-700/3	Y Δ	18.3	0.78	9.9	9.0	90.8	IE3

Overall dimensions and weight

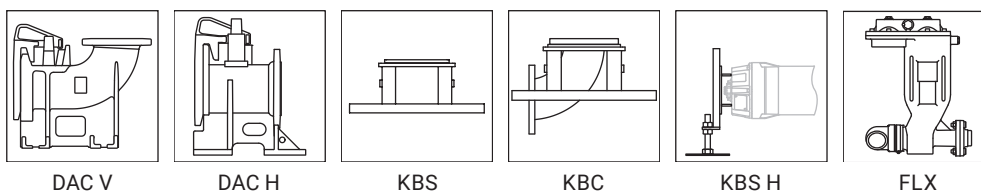


	A mm	B mm	C mm		D mm	E mm	F mm	Kg	
			WET	DRY				WET	DRY (*)
ZUG OC 100E 4/4 AW (D)	550	210	950	1025	125	100	420	182.7	267.7
ZUG OC 100E 5.5/4 AW (D)	550	210	950	1025	125	100	420	185.7	271.7
ZUG OC 100E 7.5/4 AW (D)	550	210	1025	1025	125	100	415	235	270
ZUG OC 100E 9/4 AW (D)	550	210	1120	1120	125	100	415	256	289

(*) Weight for the DRY version includes cooling fluid

W: WET version (submerged operation - S1 duty type) / **D: DRY version** (dry operation - S1 duty type)

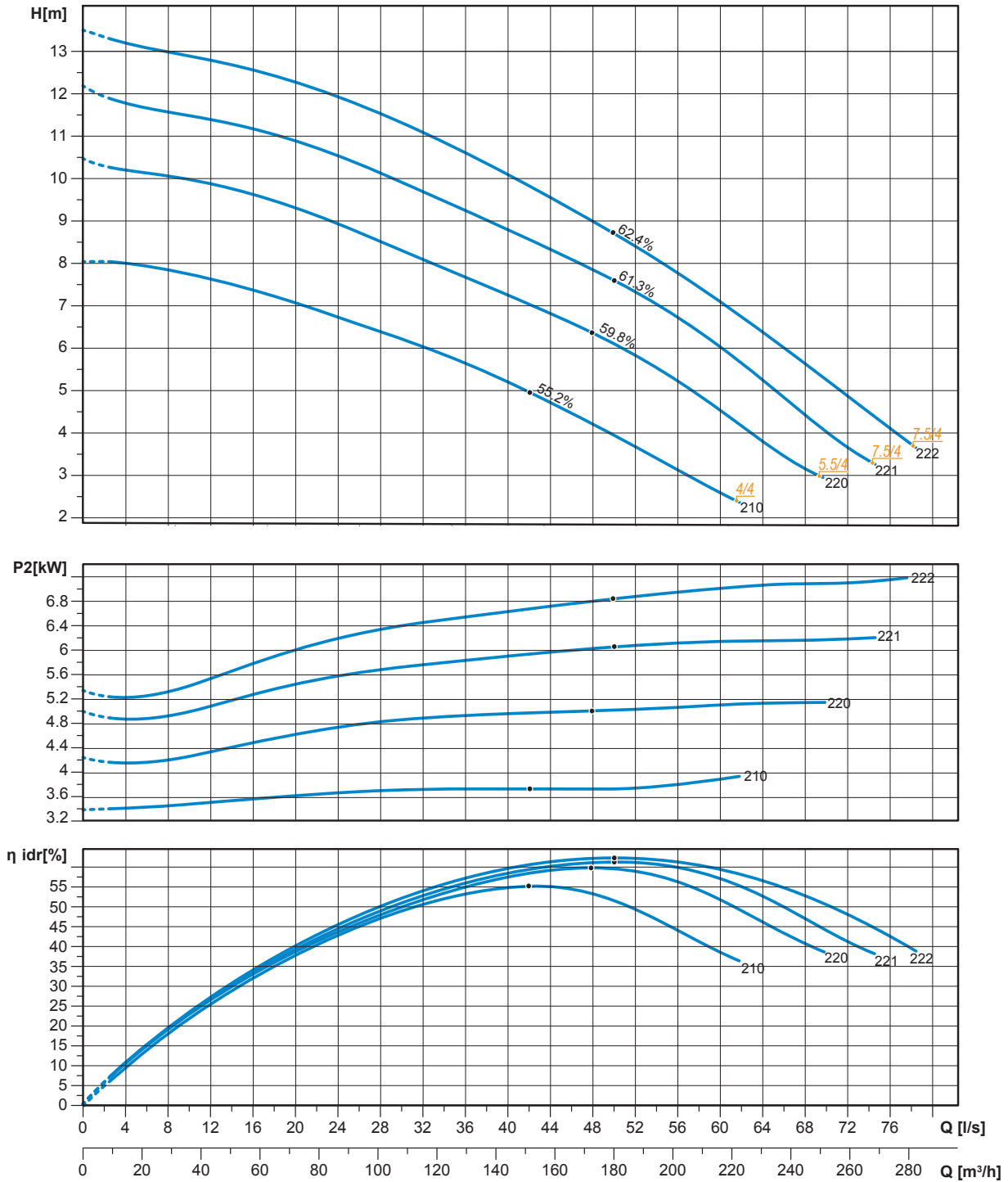
Available accessories



The data provided are not binding. Zenit reserves the right to modify any product without notice.

ZUG OC 100E

Performances



Characteristic curves according to UNI EN ISO 9906

OPEN CHANNEL impeller

ZUG OC 100F

3 ÷ 15 kW - 4 poles

Hydraulics

Open channel impeller

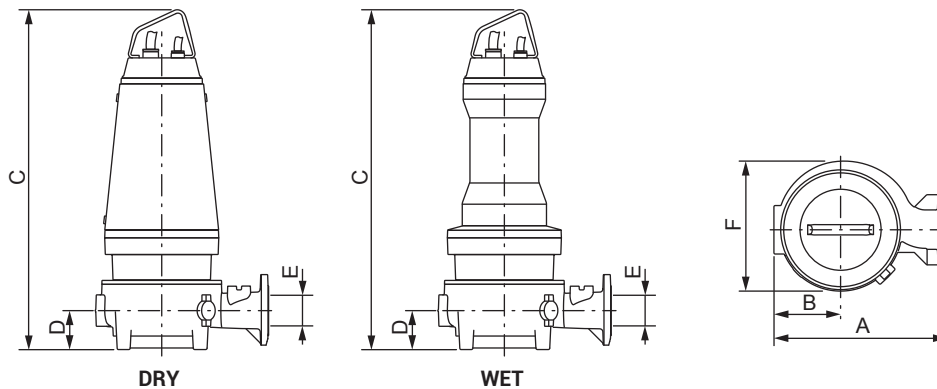
Free passage: 45 mm
 Discharge: DN100 - PN10-16 EN 1092-2
 Suction: DN150



Motor

Type	V/~	Start	A	cos φ	P1 (kW)	P2 (kW)	η mot. %	Efficiency class
3/4 A	400-700/3	Y Δ	6.6	0.75	3.4	3.0	87.7	IE3
4/4 A	400-700/3	Y Δ	8.4	0.77	4.5	4.0	88.7	IE3
5.5/4 A	400-700/3	Y Δ	11.7	0.76	6.1	5.5	89.6	IE3
7.5/4 A	400-700/3	Y Δ	14.5	0.83	8.3	7.5	90.4	IE3
9/4 A	400-700/3	Y Δ	18.3	0.78	9.9	9.0	90.8	IE3
11/4 A	400-700/3	Y Δ	21.3	0.81	12.0	11.0	91.4	IE3
15/4 A	400-700/3	Y Δ	28.2	0.84	16.3	15.0	91.9	IE3

Overall dimensions and weight

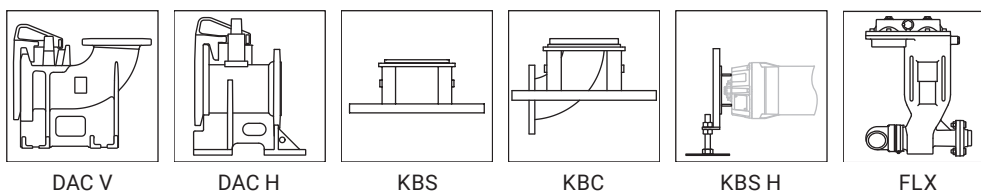


	A mm	B mm	C mm		D mm	E mm	F mm	Kg	
			WET	DRY				WET	DRY (*)
ZUG OC 100F 3/4 AW	605	210	860	-	125	100	415	191	-
ZUG OC 100F 4/4 AW (D)	605	210	960	1035	125	100	415	209	294
ZUG OC 100F 5.5/4 AW (D)	605	210	960	1035	125	100	415	212	298
ZUG OC 100F 7.5/4 AW (D)	605	210	1035	1035	125	100	415	261.3	296.3
ZUG OC 100F 9/4 AW (D)	605	210	1130	1130	125	100	415	282.3	315.3
ZUG OC 100F 11/4 AW (D)	605	210	1180	1180	125	100	415	333.5	380.5
ZUG OC 100F 15/4 AW (D)	605	210	1180	1180	125	100	415	347.2	394.2

(*) Weight for the DRY version includes cooling fluid

W: WET version (submerged operation - S1 duty type) / **D: DRY version** (dry operation - S1 duty type)

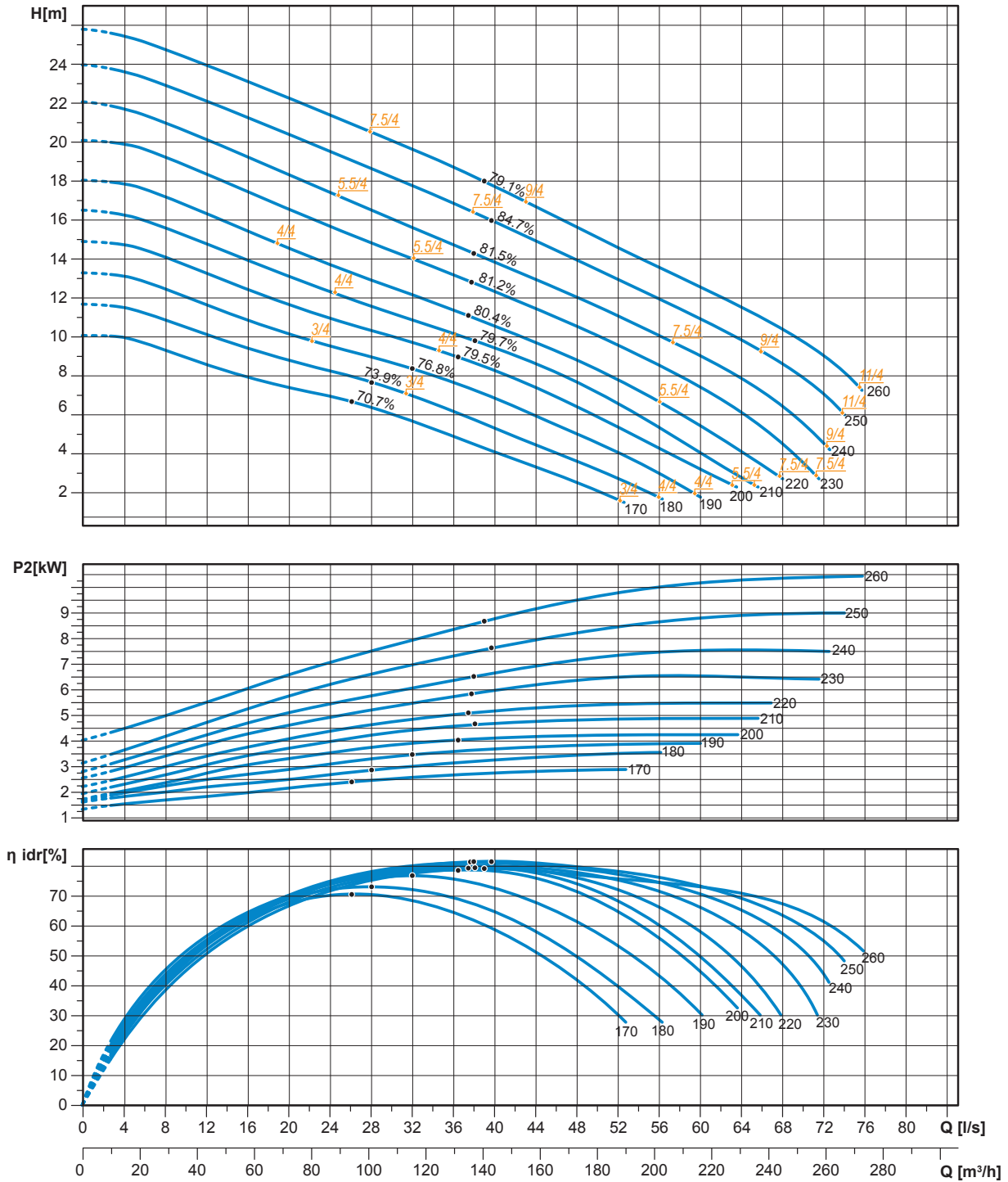
Available accessories



The data provided are not binding. Zenit reserves the right to modify any product without notice.

ZUG OC 100F

Performances



Characteristic curves according to UNI EN ISO 9906

OPEN CHANNEL impeller

ZUG OC 100H

7.5 ÷ 11 kW - 4 poles

Hydraulics

Open channel impeller

Free passage: 80 mm

Discharge: DN100 - PN10-16 EN 1092-2

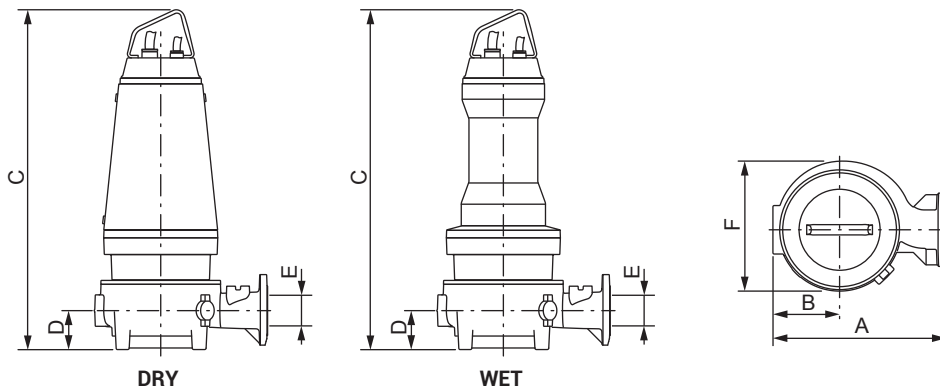
Suction: DN150



Motor

Type	V/~	Start	A	cos φ	P1 (kW)	P2 (kW)	η mot. %	Efficiency class
7.5/4 A	400-700/3	Y Δ	14.5	0.83	8.3	7.5	90.4	IE3
9/4 A	400-700/3	Y Δ	18.3	0.78	9.9	9.0	90.8	IE3
11/4 A	400-700/3	Y Δ	21.3	0.81	12.0	11.0	91.4	IE3

Overall dimensions and weight

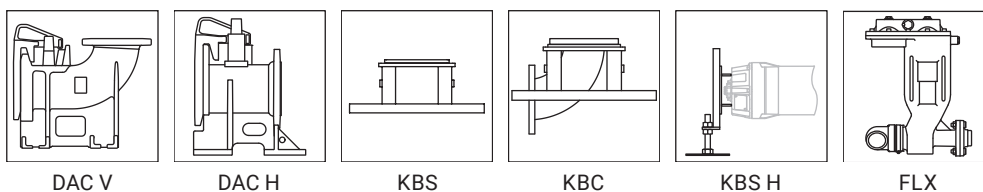


	A mm	B mm	C mm		D mm	E mm	F mm	Kg	
			WET	DRY				WET	DRY (*)
ZUG OC 100H 7.5/4 AW (D)	548	208	1025	1025	124	100	414	234.9	269.9
ZUG OC 100H 9/4 AW (D)	548	208	1115	1115	124	100	414	255.9	288.9
ZUG OC 100H 11/4 AW (D)	548	208	1166	1166	124	100	414	307.1	354.1

(*) Weight for the DRY version includes cooling fluid

W: WET version (submerged operation - S1 duty type) / **D: DRY version** (dry operation - S1 duty type)

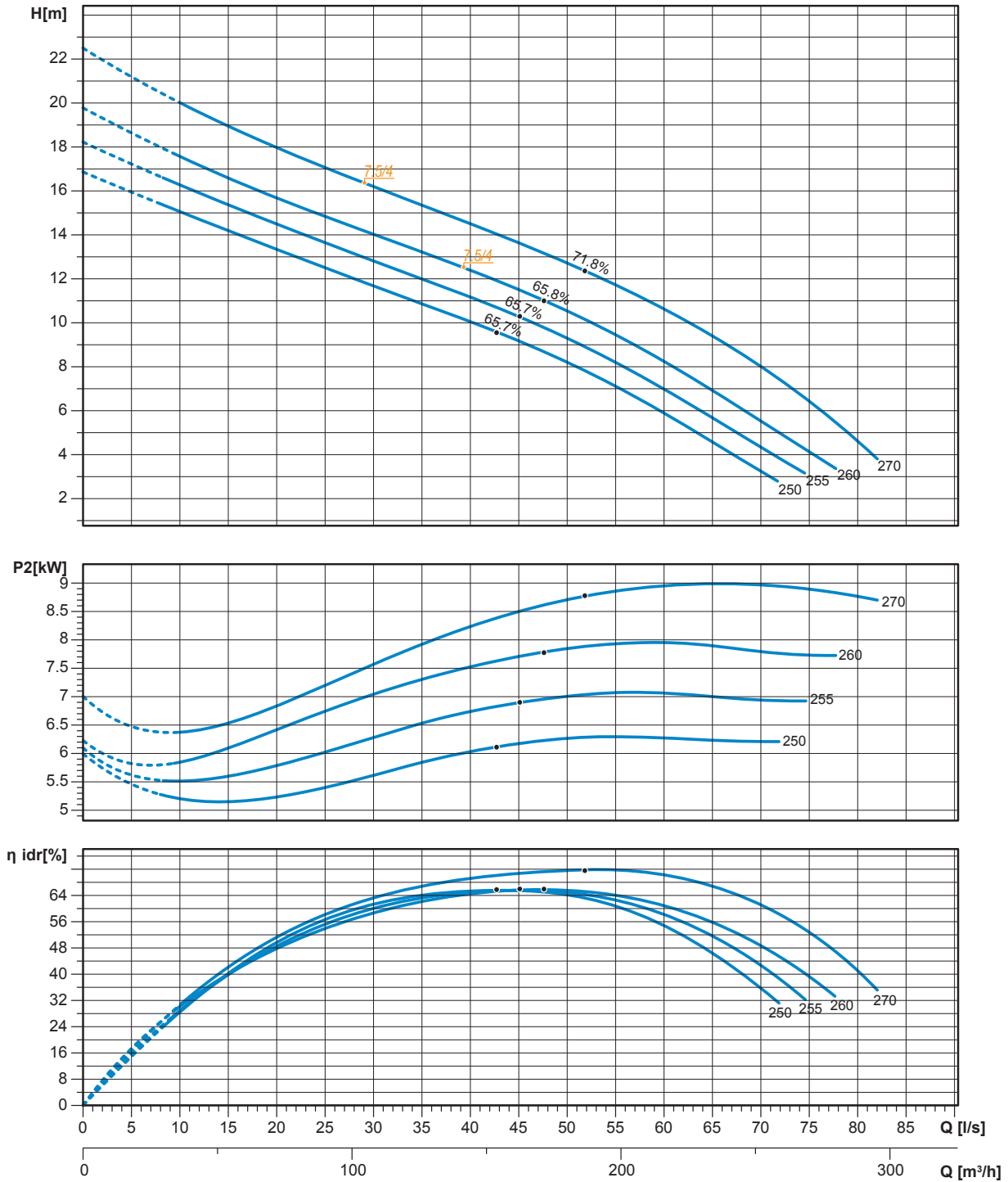
Available accessories



The data provided are not binding. Zenit reserves the right to modify any product without notice.

ZUG OC 100H

Performances



Characteristic curves according to UNI EN ISO 9906

OPEN CHANNEL impeller

ZUG OC 100J

3 ÷ 5.5 kW - 4 poles

Hydraulics

Open channel impeller

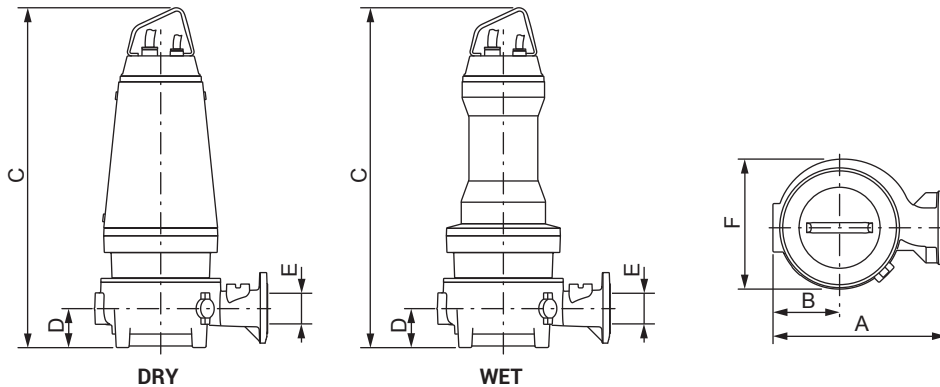
Free passage: 65 mm
 Discharge: DN100 - PN10-16 EN 1092-2
 Suction: DN100



Motor

Type	V/~	Start	A	cos φ	P1 (kW)	P2 (kW)	η mot. %	Efficiency class
3/4 A	400-700/3	Y Δ	6.6	0.75	3.4	3.0	87.7	IE3
4/4 A	400-700/3	Y Δ	8.4	0.77	4.5	4.0	88.7	IE3
5.5/4 A	400-700/3	Y Δ	11.7	0.76	6.1	5.5	89.6	IE3

Overall dimensions and weight

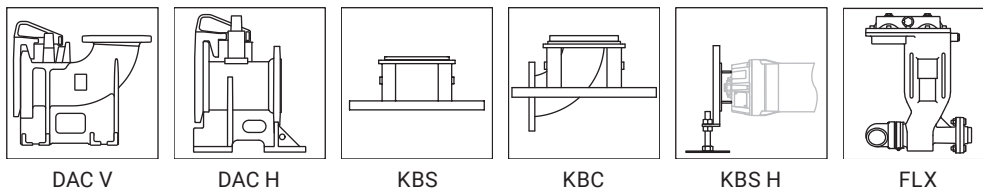


	A mm	B mm	C mm		D mm	E mm	F mm	Kg	
			WET	DRY				WET	DRY (*)
ZUG OC 100J 3/4 AW	600	210	862	-	125	100	408	173	-
ZUG OC 100J 4/4 AW (D)	600	210	962	1037	125	100	408	191	276
ZUG OC 100J 5.5/4 AW (D)	600	210	962	1037	125	100	408	194	280

(*) Weight for the DRY version includes cooling fluid

W: WET version (submerged operation - S1 duty type) / **D: DRY version** (dry operation - S1 duty type)

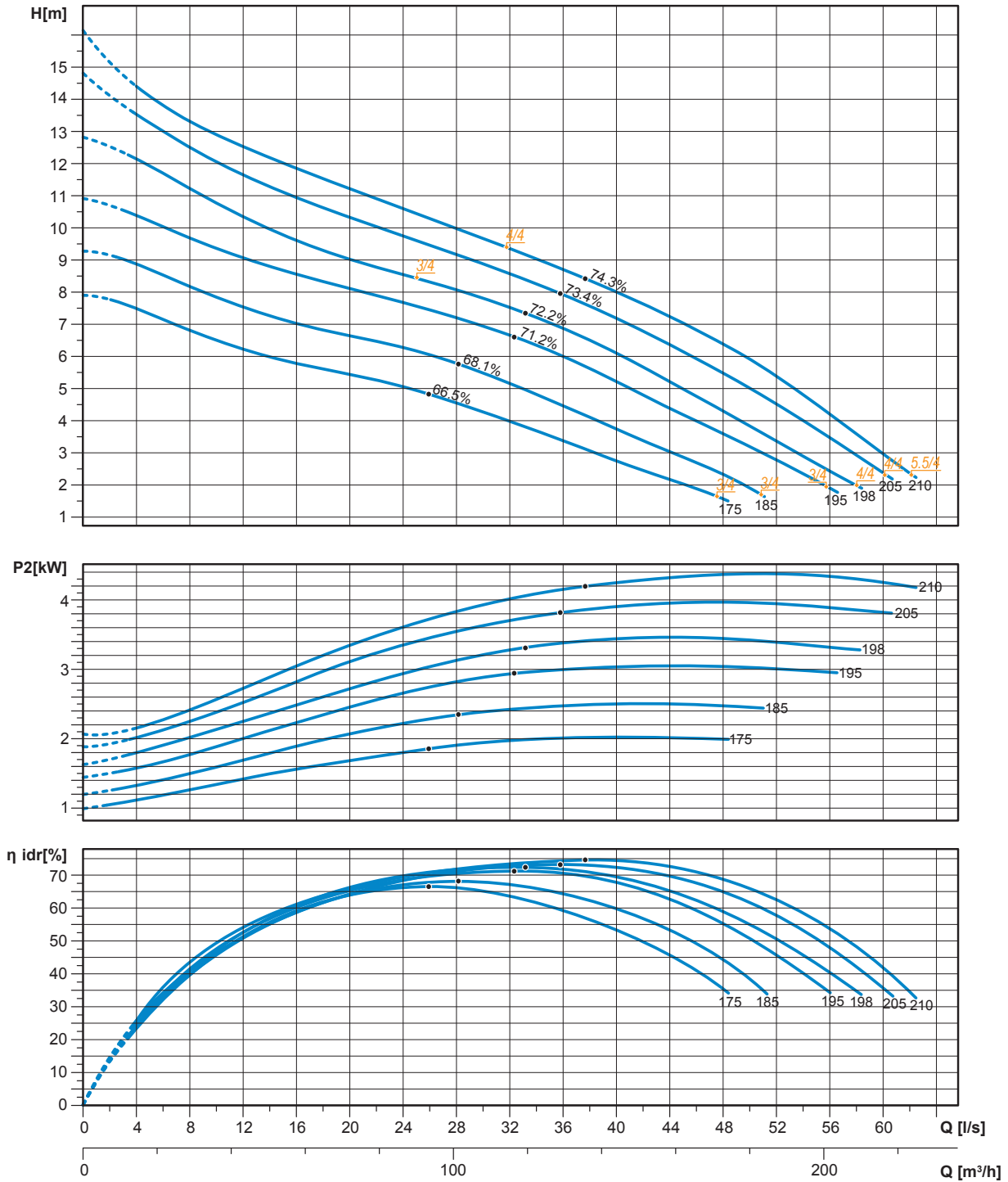
Available accessories



The data provided are not binding. Zenit reserves the right to modify any product without notice.

ZUG OC 100J

Performances



Characteristic curves according to UNI EN ISO 9906

OPEN CHANNEL impeller

ZUG OC 100L

4 ÷ 11 kW - 4 poles

Hydraulics

Open channel impeller

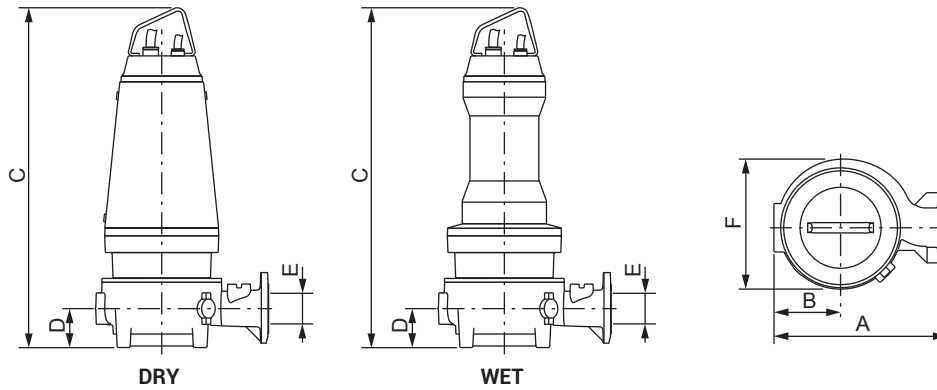
Free passage: 65 x 60 mm
 Discharge: DN100 - PN10-16 EN 1092-2
 Suction: DN150



Motor

Type	V/~	Start	A	cos φ	P1 (kW)	P2 (kW)	η mot. %	Efficiency class
4/4 A	400-700/3	Y Δ	8.4	0.77	4.5	4.0	88.7	IE3
5.5/4 A	400-700/3	Y Δ	11.7	0.76	6.1	5.5	89.6	IE3
7.5/4 A	400-700/3	Y Δ	14.5	0.83	8.3	7.5	90.4	IE3
9/4 A	400-700/3	Y Δ	18.3	0.78	9.9	9.0	90.8	IE3
11/4 A	400-700/3	Y Δ	21.3	0.81	12.0	11.0	91.4	IE3

Overall dimensions and weight

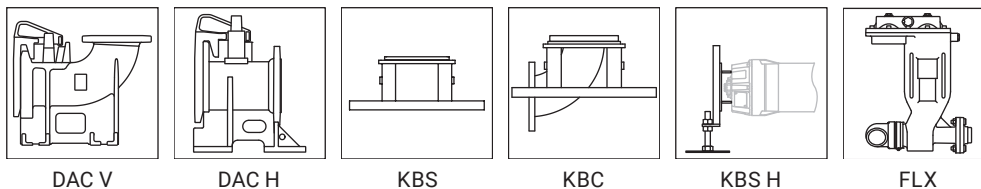


	A mm	B mm	C mm		D mm	E mm	F mm	Kg	
			WET	DRY				WET	DRY (*)
ZUG OC 100L 4/4 AW (D)	548	208	949	1025	124	100	414	183.0	268.0
ZUG OC 100L 5.5/4 AW (D)	548	208	949	1025	124	100	414	186.0	272.0
ZUG OC 100L 7.5/4 AW (D)	548	208	1025	1025	124	100	414	235.3	270.3
ZUG OC 100L 9/4 AW (D)	548	208	1115	1115	124	100	414	256.3	289.3
ZUG OC 100L 11/4 AW (D)	548	208	1166	1166	124	100	414	307.5	354.5

(*) Weight for the DRY version includes cooling fluid

W: WET version (submerged operation - S1 duty type) / D: DRY version (dry operation - S1 duty type)

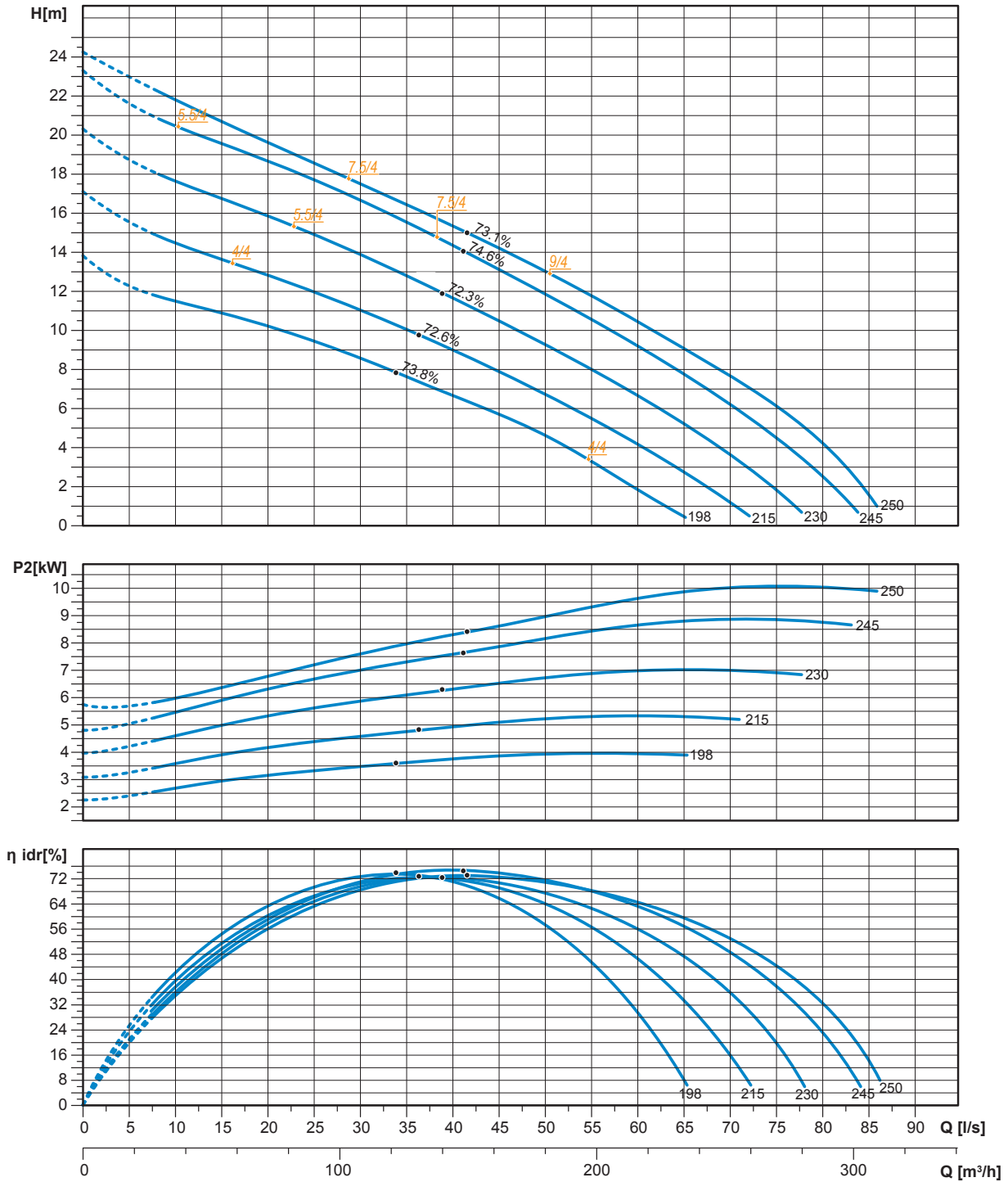
Available accessories



The data provided are not binding. Zenit reserves the right to modify any product without notice.

ZUG OC 100L

Performances



Characteristic curves according to UNI EN ISO 9906

OPEN CHANNEL impeller

ZUG OC 100U

1.1 kW - 6 poles

Hydraulics

Open channel impeller

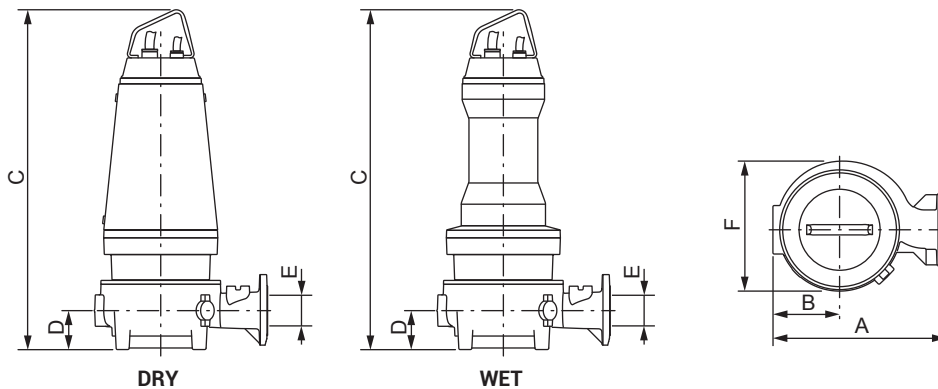
Free passage: 60 mm
 Discharge: DN100 - PN10-16 EN 1092-2
 Suction: DN100



Motor

Type	V/~	Start	A	cos φ	P1 (kW)	P2 (kW)	η mot. %	Efficiency class
1.1/6 B	400-700/3	Y Δ	2.9	0.67	1.4	1.1	81.0	IE3

Overall dimensions and weight

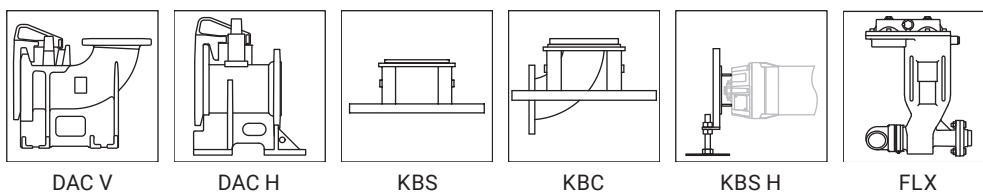


	A	B	C mm		D	E	F	Kg	
	mm	mm	WET	DRY	mm	mm	mm	WET	DRY (*)
ZUG OC 100U 1.1/6 BW	417	160	653	-	91	100	310	59	-

(*) Weight for the DRY version includes cooling fluid

W: WET version (submerged operation - S1 duty type) / **D: DRY version** (dry operation - S1 duty type)

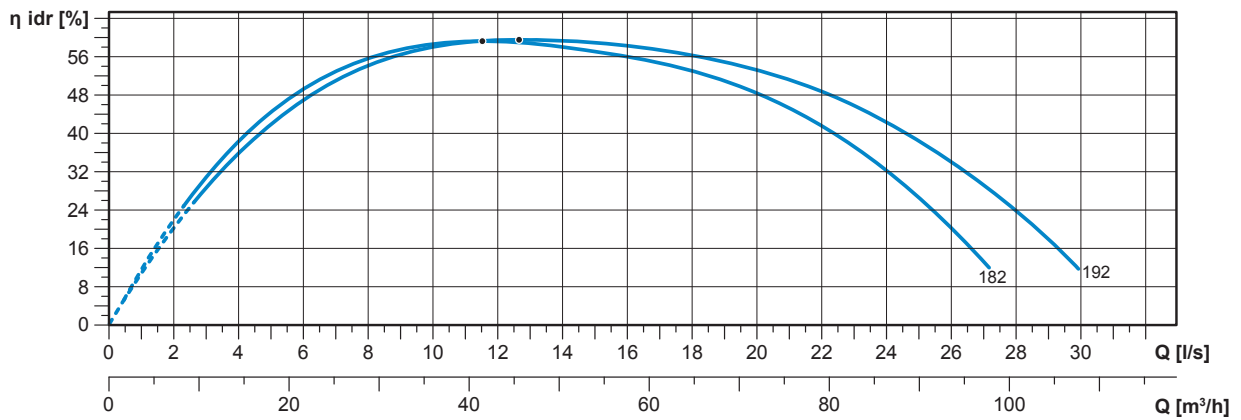
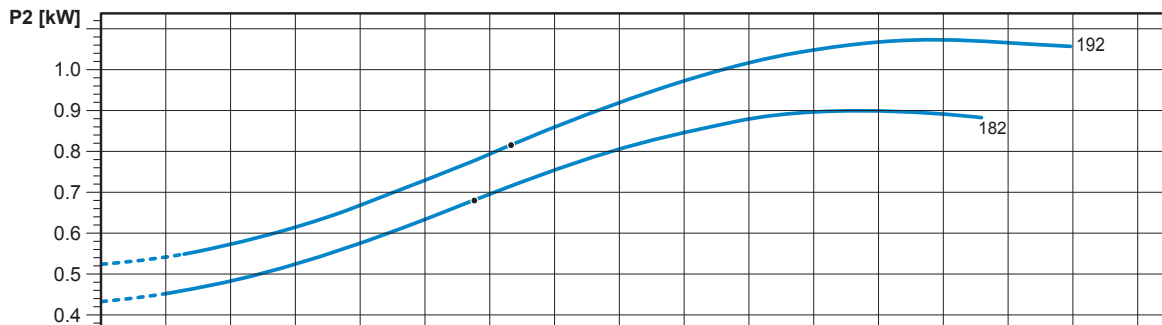
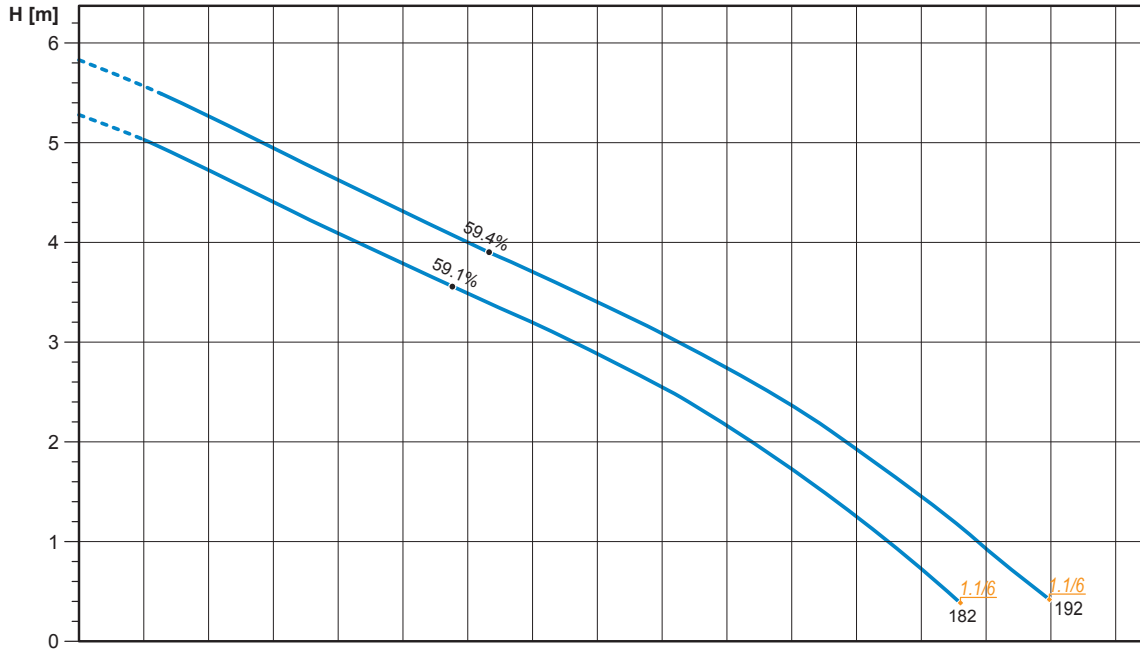
Available accessories



The data provided are not binding. Zenit reserves the right to modify any product without notice.

ZUG OC 100U

Performances



Characteristic curves according to UNI EN ISO 9906

OPEN CHANNEL impeller

ZUG OC 100Y

1.1 kW - 6 poles

Hydraulics

Open channel impeller

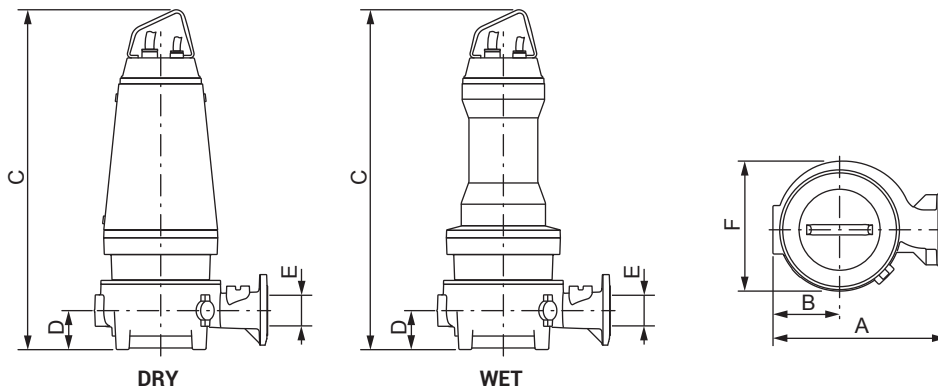
Free passage: 75 mm
 Discharge: DN100 - PN10-16 EN 1092-2
 Suction: DN100



Motor

Type	V/~	Start	A	cos φ	P1 (kW)	P2 (kW)	η mot. %	Efficiency class
1.1/6 B	400-700/3	Y Δ	2.9	0.67	1.4	1.1	81.0	IE3

Overall dimensions and weight

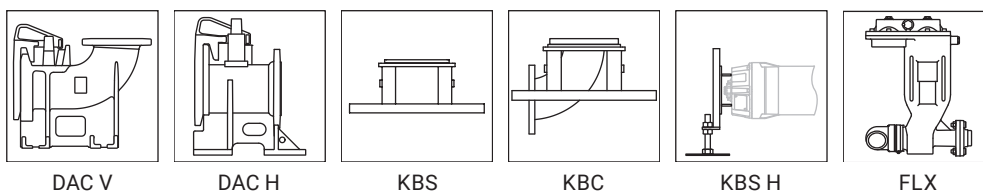


	A	B	C mm		D	E	F	Kg	
	mm	mm	WET	DRY	mm	mm	mm	WET	DRY (*)
ZUG OC 100Y 1.1/6 BW	417	160	653	-	91	100	310	59	-

(*) Weight for the DRY version includes cooling fluid

W: WET version (submerged operation - S1 duty type) / **D: DRY version** (dry operation - S1 duty type)

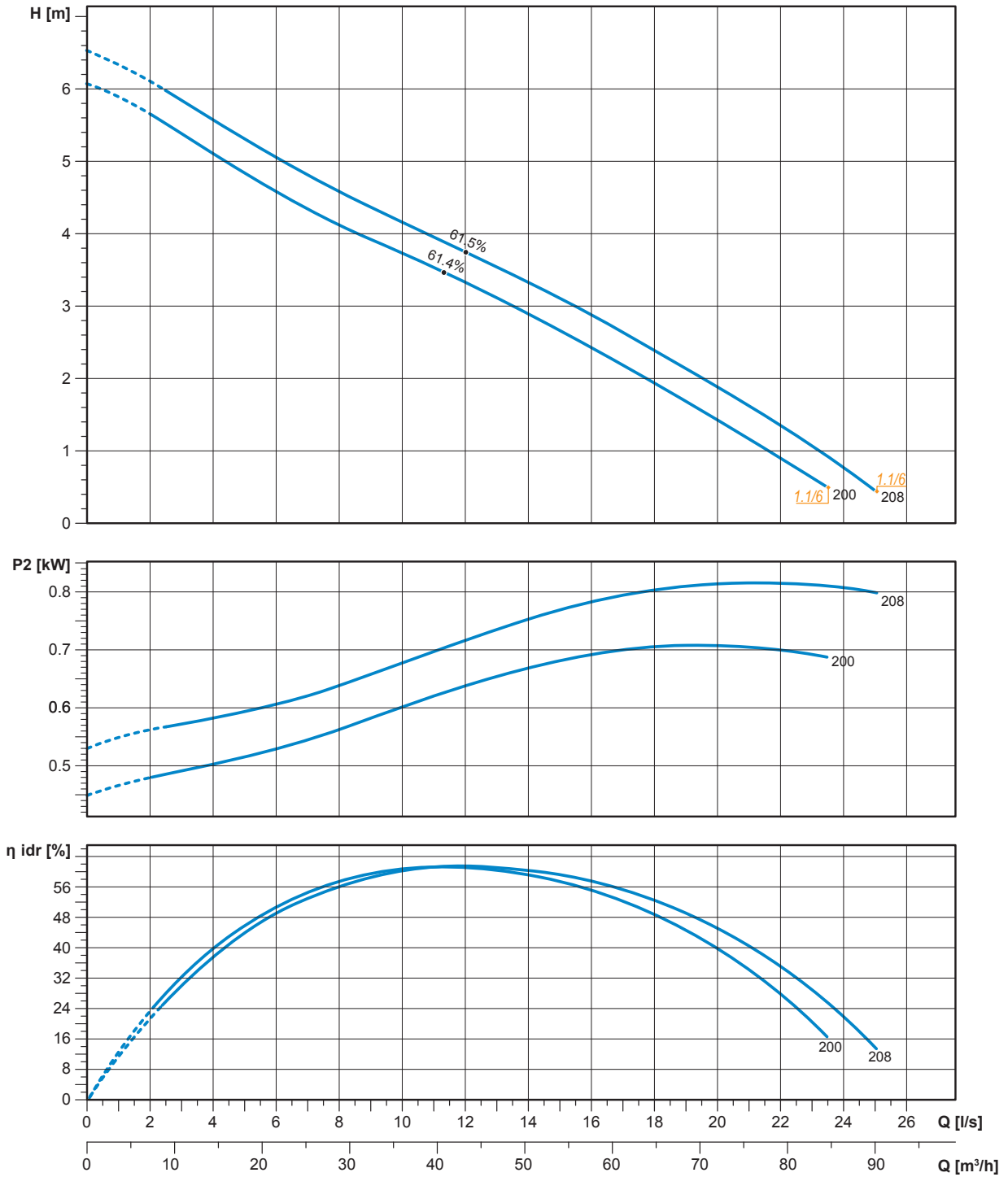
Available accessories



The data provided are not binding. Zenit reserves the right to modify any product without notice.

ZUG OC 100Y

Performances



Characteristic curves according to UNI EN ISO 9906

OPEN CHANNEL impeller

ZUG OC 101G

1.5 ÷ 1.8 kW - 6 poles

Hydraulics

Open channel impeller

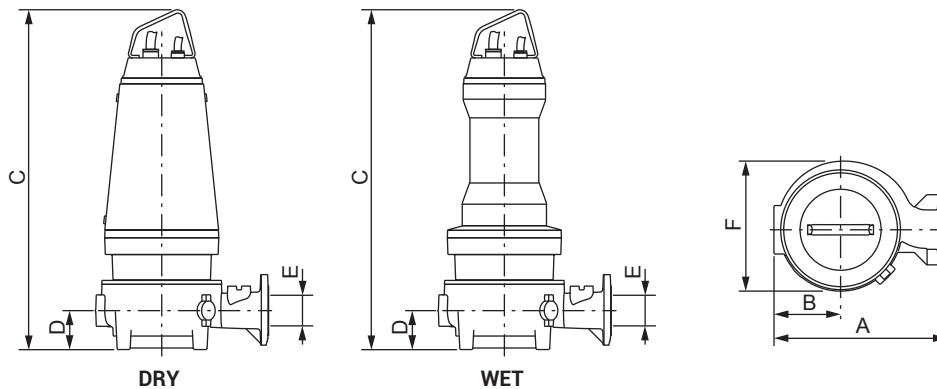
Free passage: 100 mm
 Discharge: DN100 - PN10-16 EN 1092-2
 Suction: DN100



Motor

Type	V/~	Start	A	cos φ	P1 (kW)	P2 (kW)	η mot. %	Efficiency class
1.5/6 B	400-700/3	Y Δ	3.7	0.70	1.8	1.5	82.5	IE3
1.8/6 B	400-700/3	Y Δ	4.3	0.72	2.2	1.8	83.4	IE3

Overall dimensions and weight

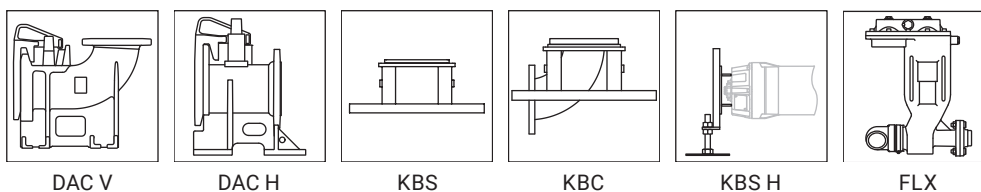


	A mm	B mm	C mm		D mm	E mm	F mm	Kg	
			WET	DRY				WET	DRY (*)
ZUG OC 101G 1.5/6 BW	509	202	740	-	114	100	394	96	-
ZUG OC 101G 1.8/6 BW	09	202	813	-	114	100	394	121	-

(*) Weight for the DRY version includes cooling fluid

W: WET version (submerged operation - S1 duty type) / **D: DRY version** (dry operation - S1 duty type)

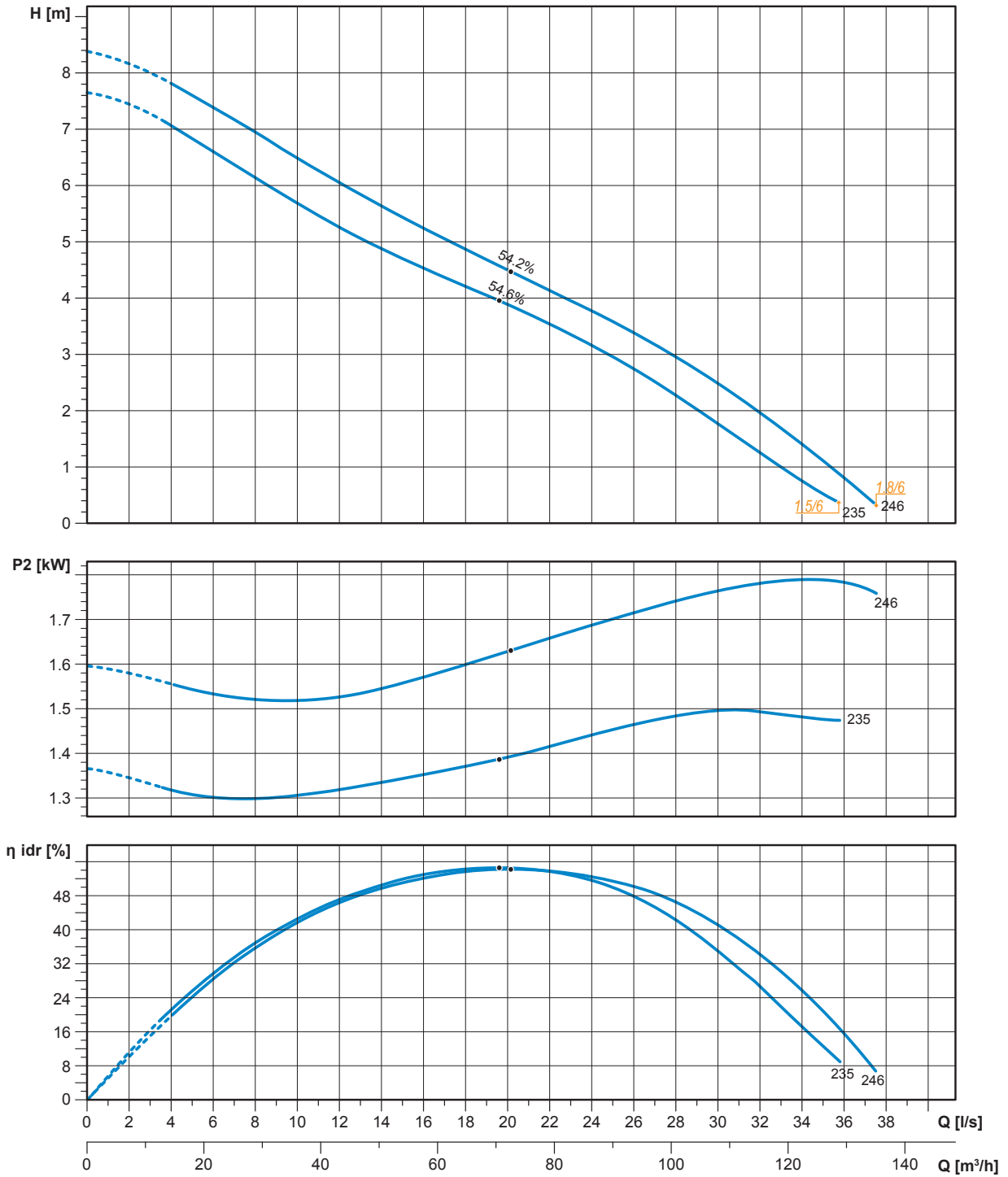
Available accessories



The data provided are not binding. Zenit reserves the right to modify any product without notice.

ZUG OC 101G

Performances



Characteristic curves according to UNI EN ISO 9906

OPEN CHANNEL impeller

ZUG OC 150A

7.5 ÷ 18.5 kW - 4 poles

Hydraulics

Open channel impeller

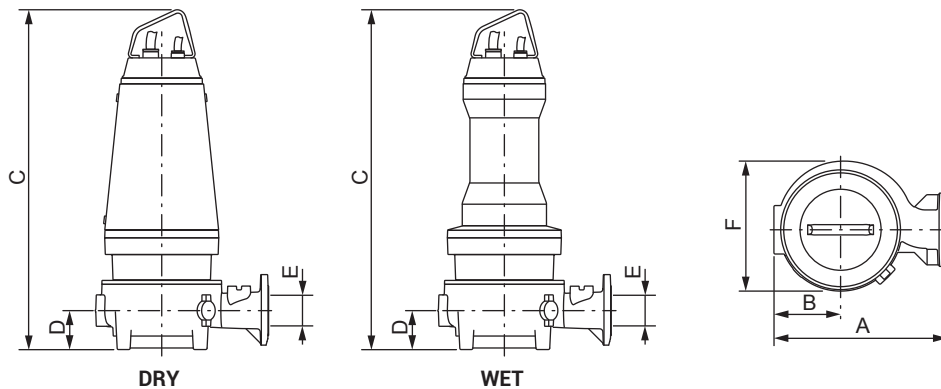
Free passage: 80 mm
 Discharge: DN150 - PN10-16 EN 1092-2
 Suction: DN150



Motor

Type	V/~	Start	A	cos φ	P1 (kW)	P2 (kW)	η mot. %	Efficiency class
7.5/4 A	400-700/3	Y Δ	14.5	0.83	8.3	7.5	90.4	IE3
9/4 A	400-700/3	Y Δ	18.3	0.78	9.9	9.0	90.8	IE3
11/4 A	400-700/3	Y Δ	21.3	0.81	12.0	11.0	91.4	IE3
15/4 A	400-700/3	Y Δ	28.2	0.84	16.3	15.0	91.9	IE3
18.5/4 A	400-700/3	Y Δ	35.2	0.82	20.0	18.5	92.6	IE3

Overall dimensions and weight

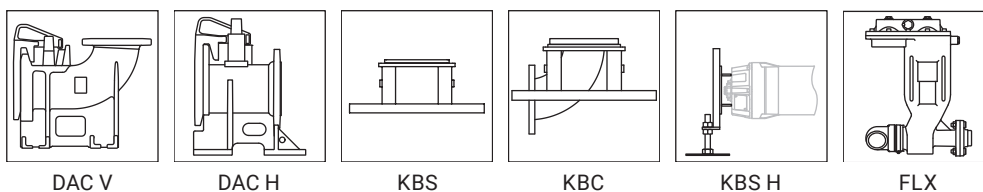


	A mm	B mm	C mm		D mm	E mm	F mm	Kg	
			WET	DRY				WET	DRY (*)
ZUG OC 150A 7.5/4 AW (D)	612	222	1031	1031	130	150	448	252.1	287.1
ZUG OC 150A 9/4 AW (D)	612	222	1121	1121	130	150	448	273.1	306.1
ZUG OC 150A 11/4 AW (D)	612	222	1172	1172	130	150	448	324.3	371.3
ZUG OC 150A 15/4 AW (D)	612	222	1172	1172	130	150	448	338	385
ZUG OC 150A 18.5/4 AW (D)	612	222	1355	1355	130	150	465	422.6	475.6

(*) Weight for the DRY version includes cooling fluid

W: WET version (submerged operation - S1 duty type) / D: DRY version (dry operation - S1 duty type)

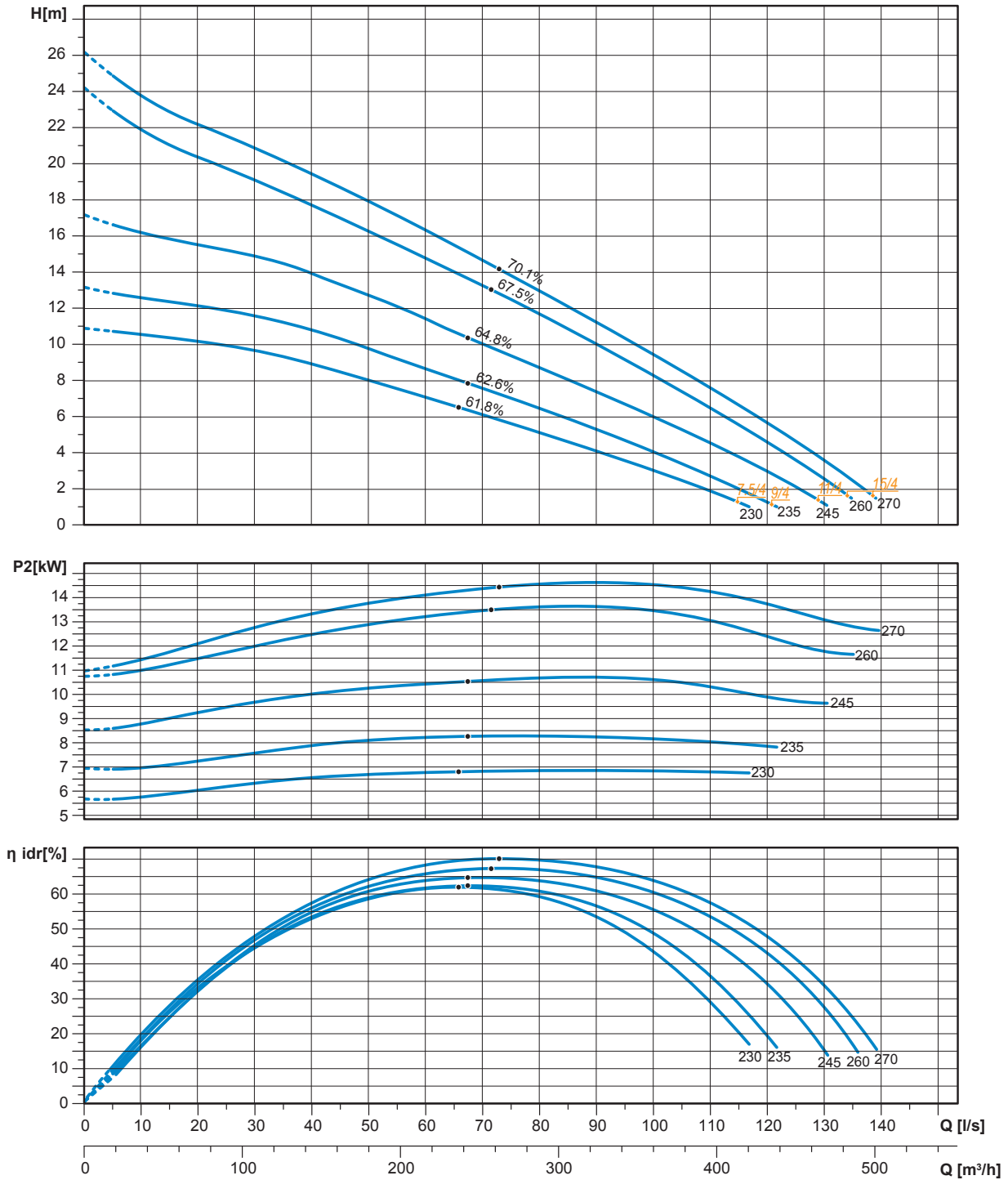
Available accessories



The data provided are not binding. Zenit reserves the right to modify any product without notice.

ZUG OC 150A

Performances



Characteristic curves according to UNI EN ISO 9906

OPEN CHANNEL impeller

ZUG OC 150D

3 ÷ 9 kW - 4 poles

Hydraulics

Open channel impeller

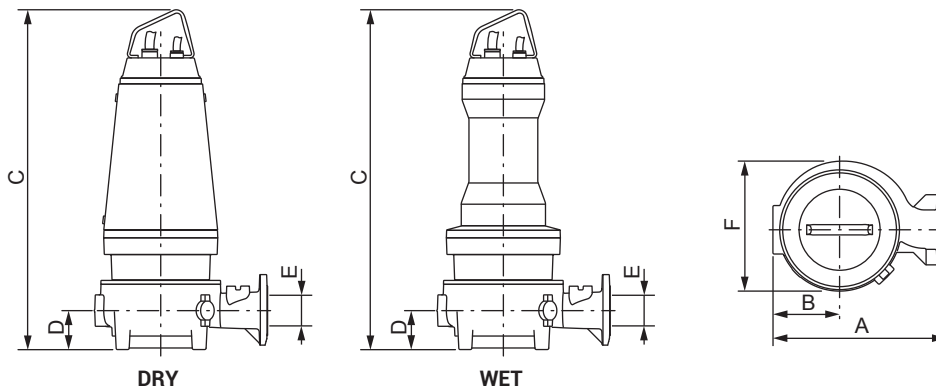
Free passage: 80 mm
 Discharge: DN150 - PN10-16 EN 1092-2
 Suction: DN150



Motor

Type	V/~	Start	A	cos φ	P1 (kW)	P2 (kW)	η mot. %	Efficiency class
3/4 A	400-700/3	Y Δ	6.6	0.75	3.4	3.0	87.7	IE3
4/4 A	400-700/3	Y Δ	8.4	0.77	4.5	4.0	88.7	IE3
5.5/4 A	400-700/3	Y Δ	11.7	0.76	6.1	5.5	89.6	IE3
7.5/4 A	400-700/3	Y Δ	14.5	0.83	8.3	7.5	90.4	IE3
9/4 A	400-700/3	Y Δ	18.3	0.78	9.9	9.0	90.8	IE3

Overall dimensions and weight

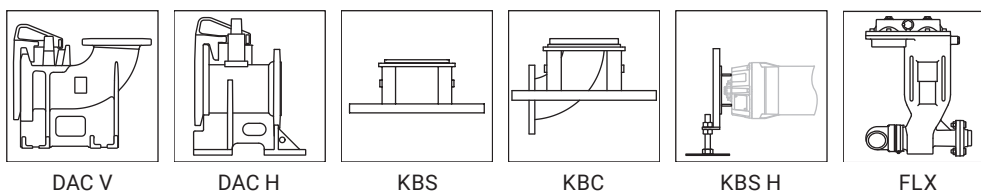


	A mm	B mm	C mm		D mm	E mm	F mm	Kg	
			WET	DRY				WET	DRY (*)
ZUG OC 150D 3/4 AW	610	220	855	-	130	150	450	177.4	-
ZUG OC 150D 4/4 AW (D)	610	220	955	1030	130	150	450	211.4	280.4
ZUG OC 150D 5.5/4 AW (D)	610	220	955	1030	130	150	450	215.4	284.4
ZUG OC 150D 7.5/4 AW (D)	610	220	1030	1030	130	150	450	247.7	282.7
ZUG OC 150D 9/4 AW (D)	610	220	1125	1125	130	150	450	268.7	301.7

(*) Weight for the DRY version includes cooling fluid

W: WET version (submerged operation - S1 duty type) / D: DRY version (dry operation - S1 duty type)

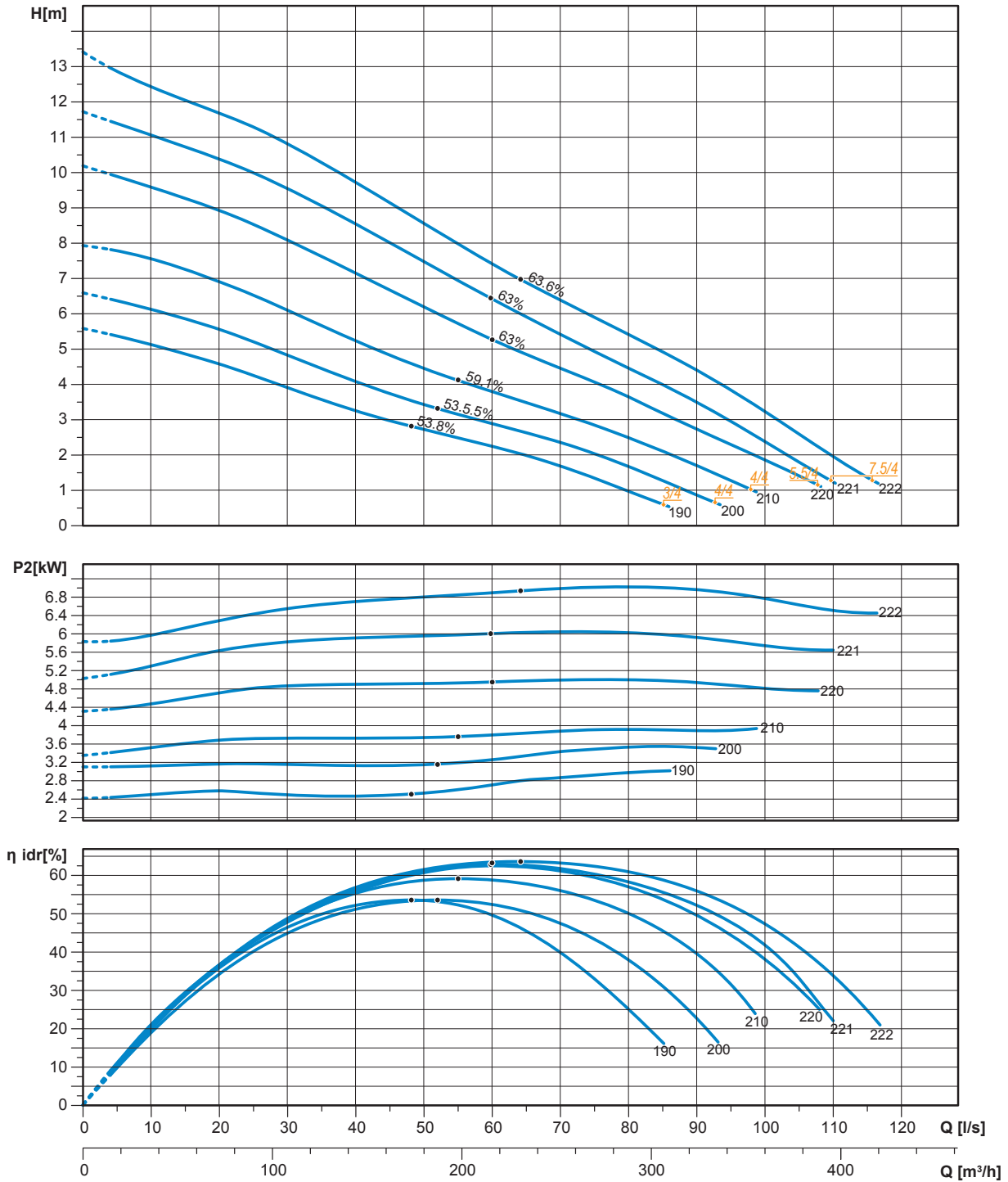
Available accessories



The data provided are not binding. Zenit reserves the right to modify any product without notice.

ZUG OC 150D

Performances



Characteristic curves according to UNI EN ISO 9906

OPEN CHANNEL impeller

ZUG OC 150F

11 ÷ 37 kW - 4 poles

Hydraulics

Open channel impeller

Free passage: 80 mm

Discharge: DN150 - PN10-16 EN 1092-2

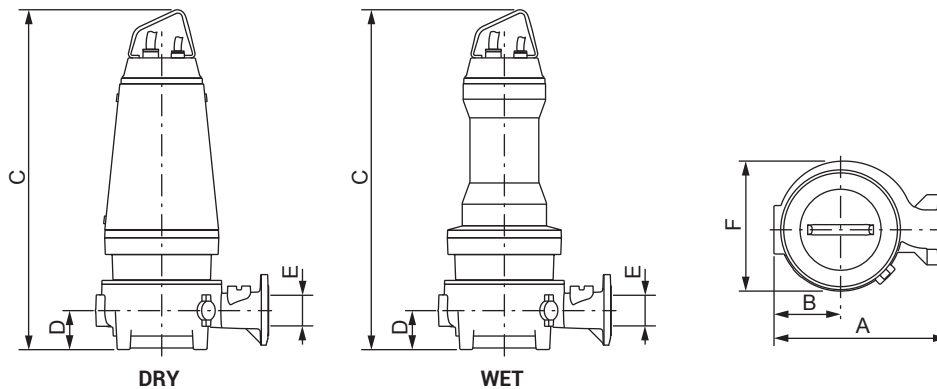
Suction: DN200



Motor

Type	V/~	Start	A	cos φ	P1 (kW)	P2 (kW)	η mot. %	Efficiency class
11/4 A	400-700/3	Y Δ	21.3	0.81	12.0	11.0	91.4	IE3
15/4 A	400-700/3	Y Δ	28.2	0.84	16.3	15.0	91.9	IE3
18.5/4 A	400-700/3	Y Δ	35.2	0.82	20.0	18.5	92.6	IE3

Overall dimensions and weight

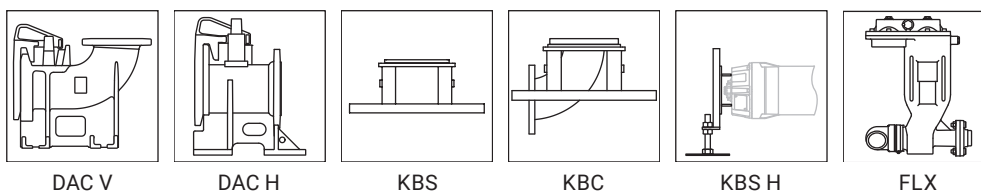


	A mm	B mm	C mm		D mm	E mm	F mm	Kg	
			WET	DRY				WET	DRY (*)
ZUG OC 150F 11/4 AW (D)	650	255	1235	1235	170	150	505	351.5	398.5
ZUG OC 150F 15/4 AW (D)	650	255	1235	1235	170	150	505	365.2	412.2
ZUG OC 150F 18.5/4 AW (D)	650	255	1415	1415	170	150	505	449.8	502.8

(*) Weight for the DRY version includes cooling fluid

W: WET version (submerged operation - S1 duty type) / **D: DRY version** (dry operation - S1 duty type)

Available accessories

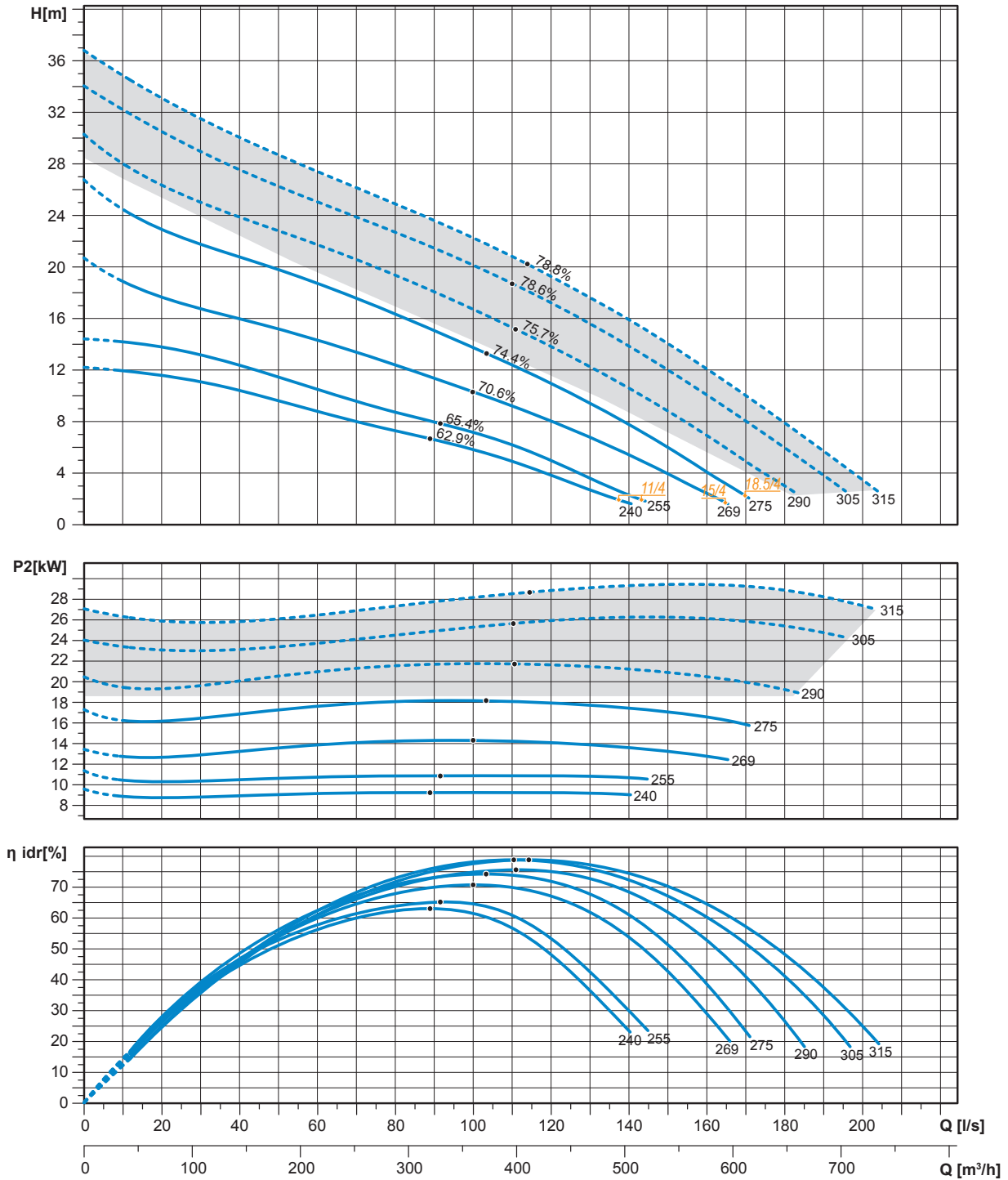


The data provided are not binding. Zenit reserves the right to modify any product without notice.

ZUG OC 150F

Performances

Contact Zenit



Characteristic curves according to UNI EN ISO 9906

OPEN CHANNEL impeller

ZUG OC 150G

11 ÷ 45 kW - 4 poles

Hydraulics

Open channel impeller

Free passage: 80 mm

Discharge: DN150 - PN10-16 EN 1092-2

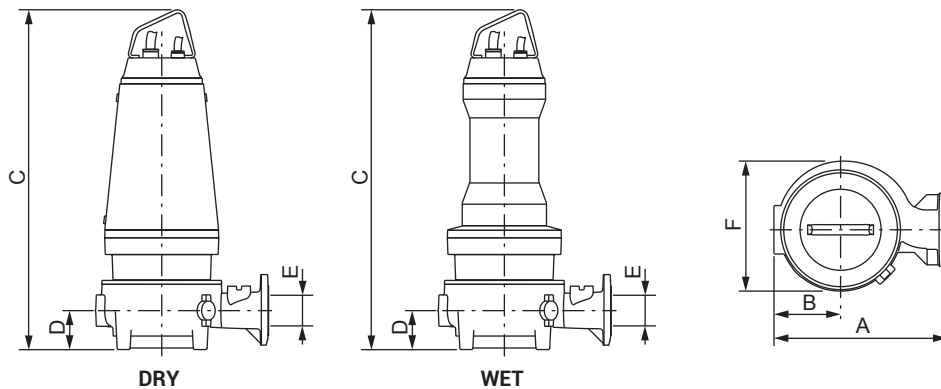
Suction: DN150



Motor

Type	V/~	Start	A	cos φ	P1 (kW)	P2 (kW)	η mot. %	Efficiency class
11/4 A	400-700/3	Y Δ	21.2	0.82	12	11	91.4	IE3
15/4 A	400-700/3	Y Δ	28.5	0.82	16.3	15	92.2	IE3
18.5/4 A	400-700/3	Y Δ	35.2	0.82	20	18.5	92.6	IE3

Overall dimensions and weight

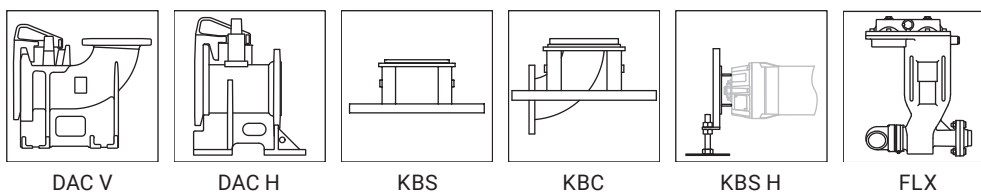


	A mm	B mm	C mm		D mm	E mm	F mm	Kg	
			WET	DRY				WET	DRY (*)
ZUG OC 150G 11/4 AW (D)	605	240	1190	1190	120	150	570	317.2	364.2
ZUG OC 150G 15/4 AW (D)	605	240	1190	1190	120	150	570	330.9	377.9
ZUG OC 150G 18.5/4 AW (D)	605	240	1370	1370	120	150	570	415.5	468.5

(*) Weight for the DRY version includes cooling fluid

W: WET version (submerged operation - S1 duty type) / **D: DRY version** (dry operation - S1 duty type)

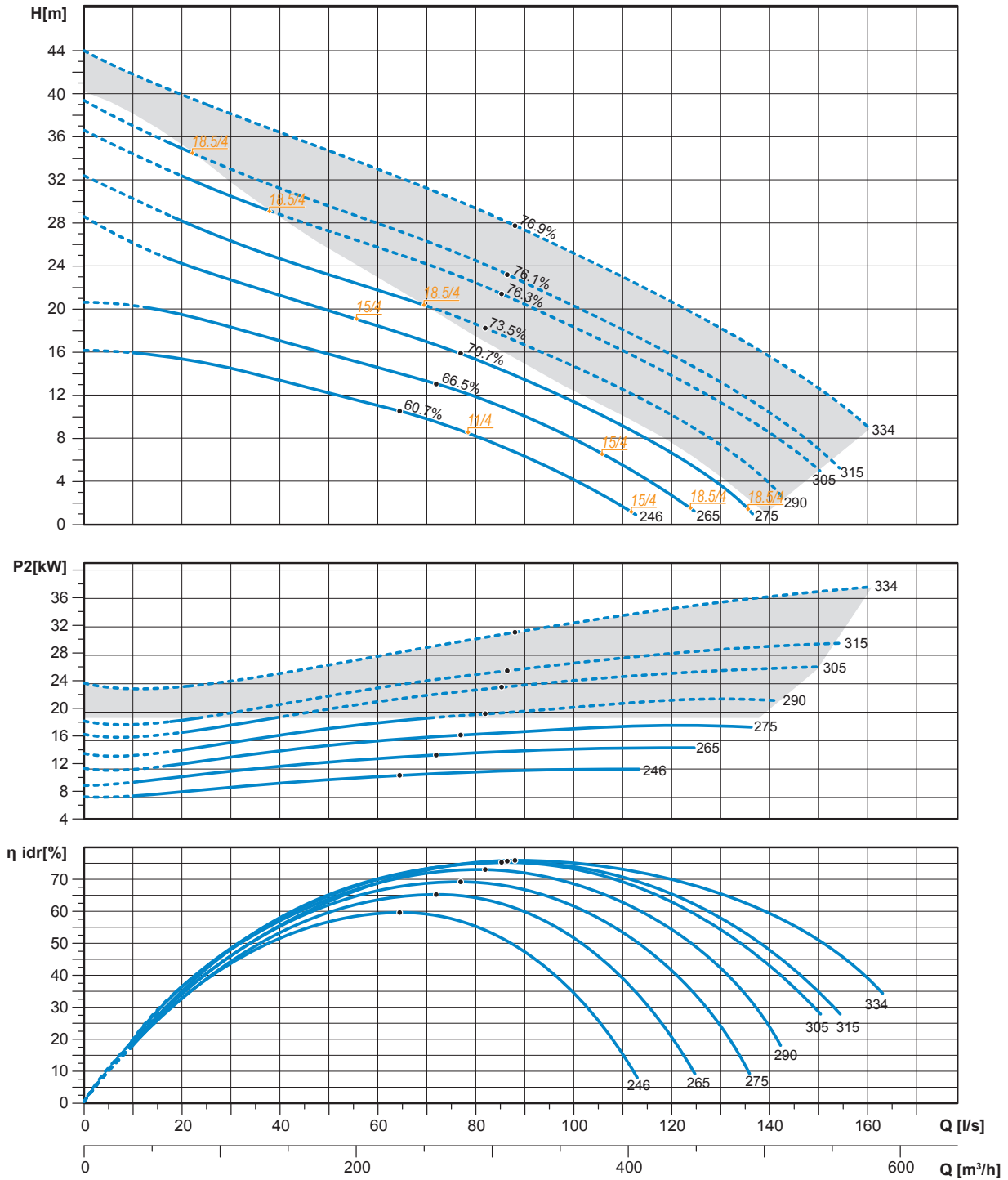
Available accessories



ZUG OC 150G

Performances

Contact Zenit



Characteristic curves according to UNI EN ISO 9906

OPEN CHANNEL impeller

ZUG OC 150G

4 ÷ 11 kW - 6 poles

Hydraulics

Open channel impeller

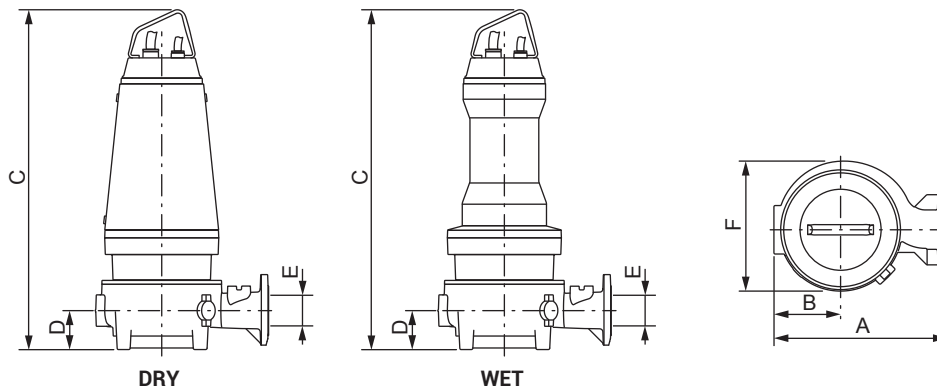
Free passage: 80 mm
 Discharge: DN150 - PN10-16 EN 1092-2
 Suction: DN150



Motor

Type	V/~	Start	A	cos φ	P1 (kW)	P2 (kW)	η mot. %	Efficiency class
4/6 A	400-700/3	Y Δ	8.9	0.75	4.6	4.0	86.8	IE3
5.5/6 A	400-700/3	Y Δ	11.6	0.78	6.3	5.5	88.0	IE3
7.5/6 A	400-700/3	Y Δ	16.2	0.75	8.4	7.5	89.1	IE3
9/6 A	400-700/3	Y Δ	19.8	0.73	10.0	9.0	89.7	IE3
11/6 A	400-700/3	Y Δ	22.7	0.78	12.2	11.0	90.2	IE3

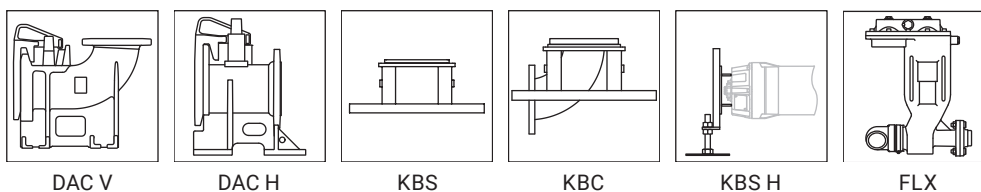
Overall dimensions and weight



	A mm	B mm	C mm		D mm	E mm	F mm	Kg	
			WET	DRY				WET	DRY (*)
ZUG OC 150G 4/6 AW (D)	605	240	1045	1045	120	150	470	241.7	271.7
ZUG OC 150G 5.5/6 AW (D)	605	240	1140	1140	120	150	470	256.7	291.7
ZUG OC 150G 7.5/6 AW (D)	605	240	1190	1190	120	150	570	284.7	331.7
ZUG OC 150G 9/6 AW (D)	605	240	1190	1190	120	150	570	292.4	339.4
ZUG OC 150G 11/6 AW (D)	605	240	1190	1190	120	150	570	302.7	349.7

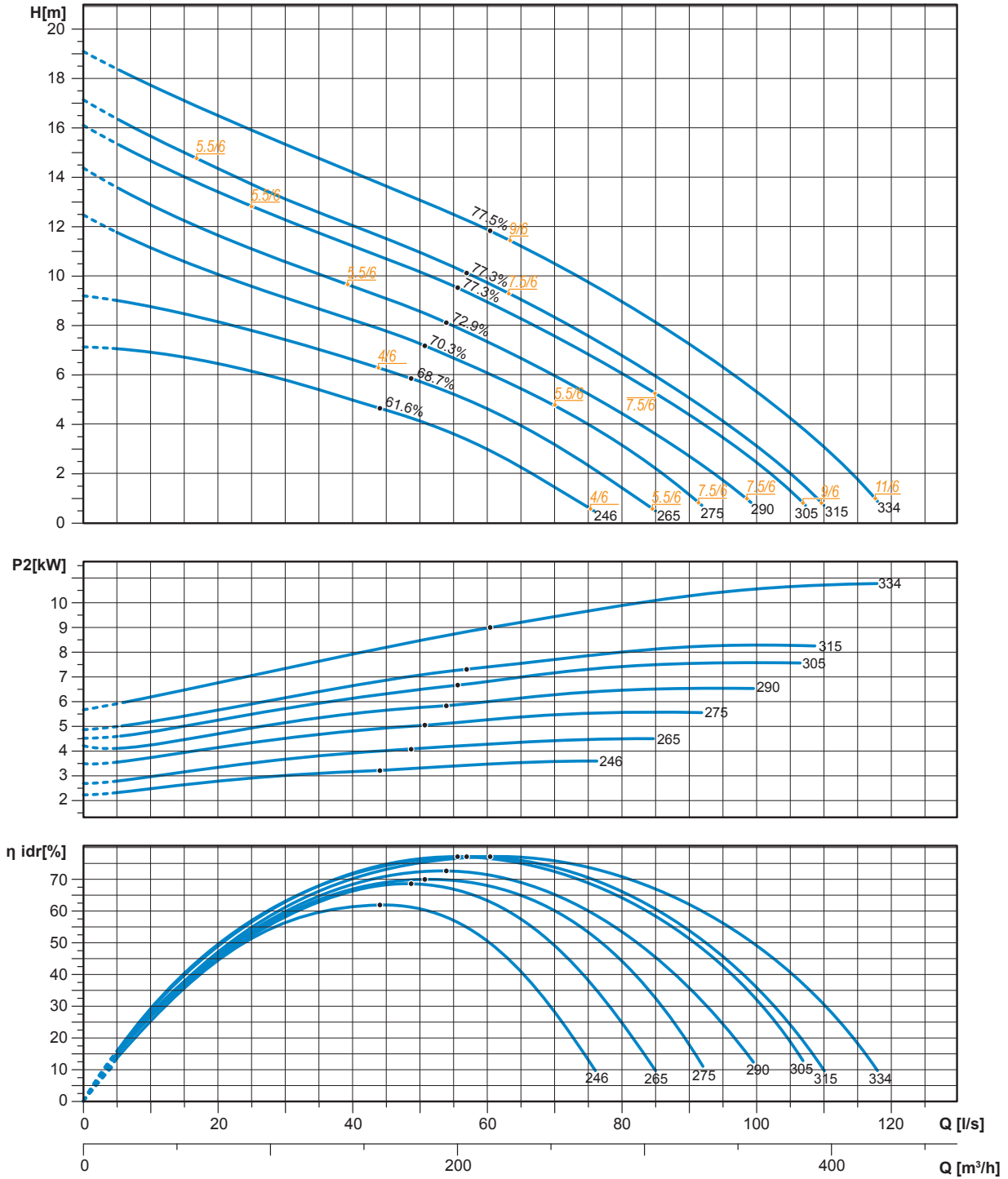
W: WET version (submerged operation - S1 duty type) / D: DRY version (dry operation - S1 duty type)

Available accessories



ZUG OC 150G

Performances



Characteristic curves according to UNI EN ISO 9906

OPEN CHANNEL impeller

ZUG OC 150N

4 ÷ 11 kW - 4 poles

Hydraulics

Open channel impeller

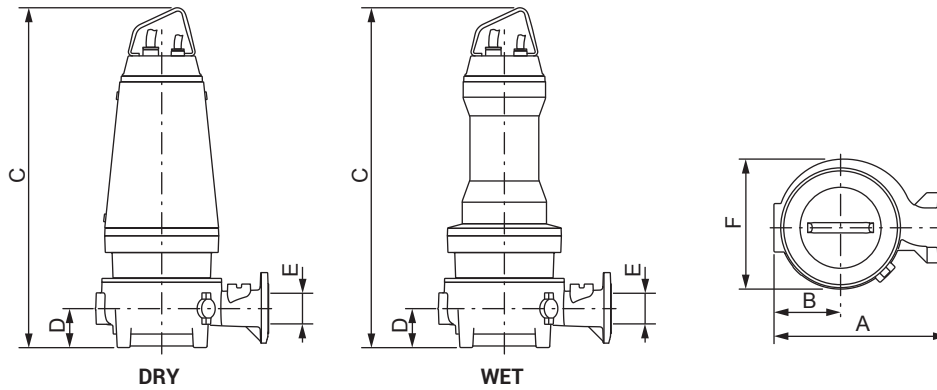
Free passage: 65 x 60 mm
 Discharge: DN150 - PN10-16 EN 1092-2
 Suction: DN150



Motor

Type	V/~	Start	A	cos φ	P1 (kW)	P2 (kW)	η mot. %	Efficiency class
4/4 A	400-700/3	Y Δ	8.4	0.77	4.5	4.0	88.7	IE3
5.5/4 A	400-700/3	Y Δ	11.7	0.76	6.1	5.5	89.6	IE3
7.5/4 A	400-700/3	Y Δ	14.5	0.83	8.3	7.5	90.4	IE3
9/4 A	400-700/3	Y Δ	18.3	0.78	9.9	9.0	90.8	IE3
11/4 A	400-700/3	Y Δ	21.3	0.81	12.0	11.0	91.4	IE3

Overall dimensions and weight

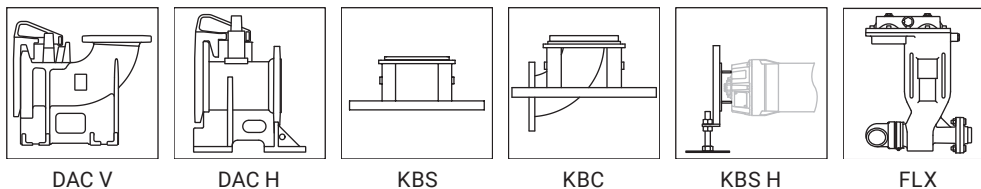


	A mm	B mm	C mm		D mm	E mm	F mm	Kg	
			WET	DRY				WET	DRY (*)
ZUG OC 150N 4/4 AW (D)	612	222	955	1032	130	150	448	197.0	282.0
ZUG OC 150N 5.5/4 AW (D)	612	222	955	1032	130	150	448	200.0	286.0
ZUG OC 150N 7.5/4 AW (D)	612	222	1032	1032	130	150	448	249.0	284.3
ZUG OC 150N 9/4 AW (D)	612	222	1122	1122	130	150	448	270.3	303.3
ZUG OC 150N 11/4 AW (D)	612	222	1175	1175	130	150	448	321.5	368.5

(*) Weight for the DRY version includes cooling fluid

W: WET version (submerged operation - S1 duty type) / D: DRY version (dry operation - S1 duty type)

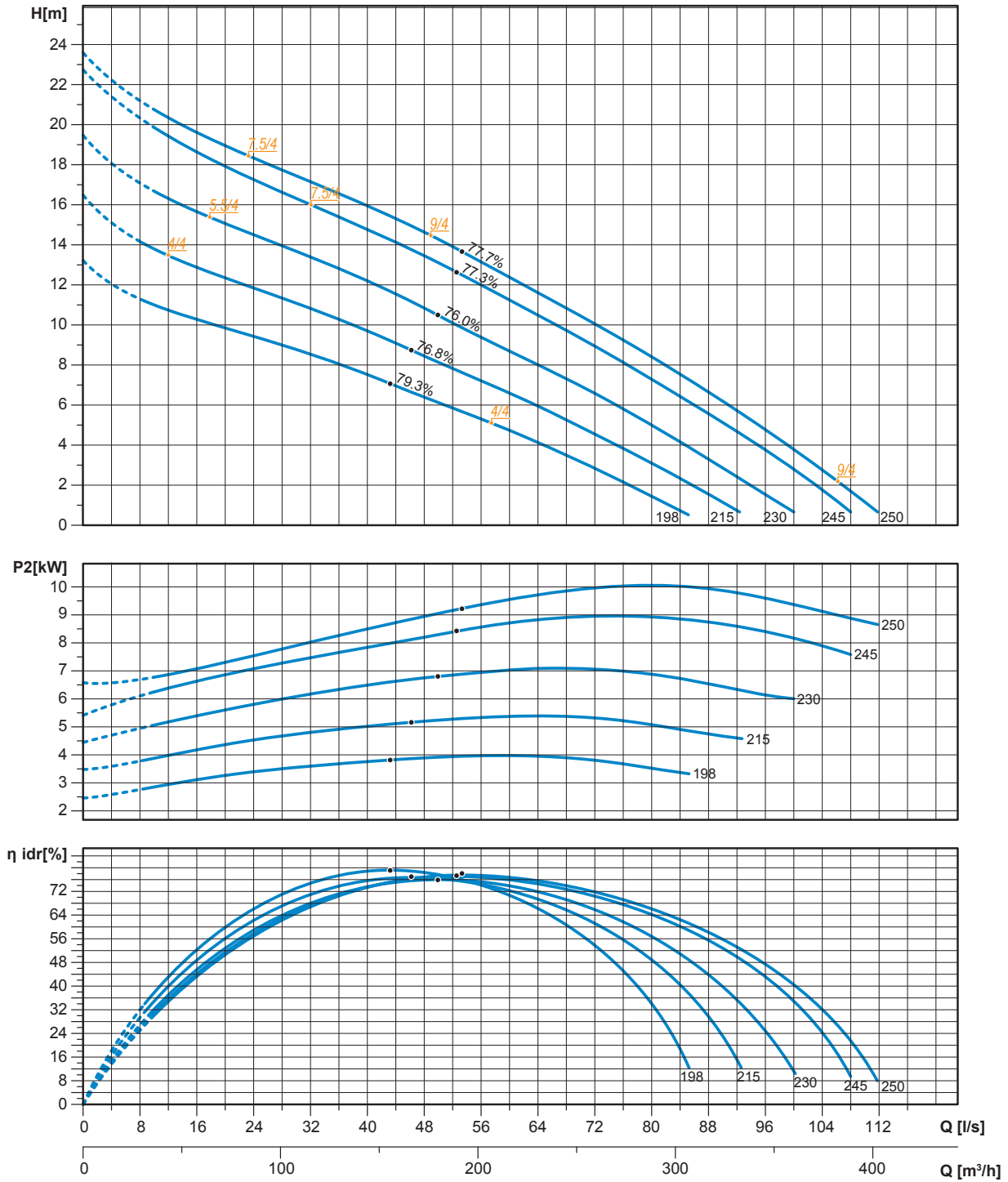
Available accessories



The data provided are not binding. Zenit reserves the right to modify any product without notice.

ZUG OC 150N

Performances



Characteristic curves according to UNI EN ISO 9906

OPEN CHANNEL impeller

ZUG OC 150R

1.8 kW - 6 poles

Hydraulics

Open channel impeller

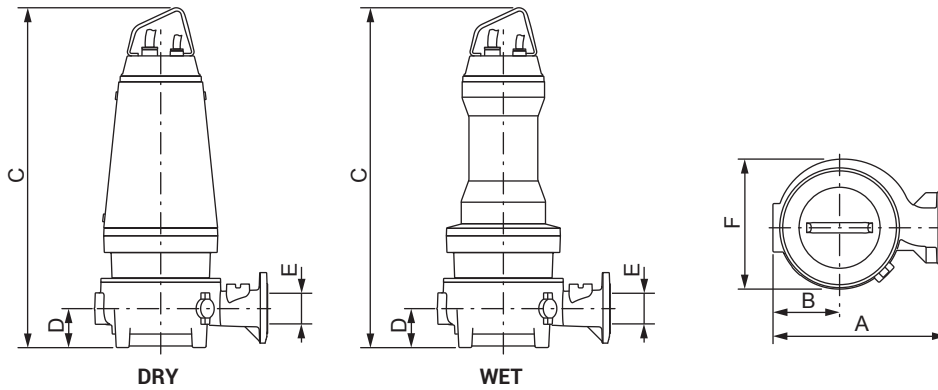
Free passage: 100 mm
 Discharge: DN150 - PN10-16 EN 1092-2
 Suction: DN100



Motor

Type	V/~	Start	A	cos φ	P1 (kW)	P2 (kW)	η mot. %	Efficiency class
1.8/6 B	400-700/3	Y Δ	4.3	0.72	2.2	1.8	83.4	IE3

Overall dimensions and weight

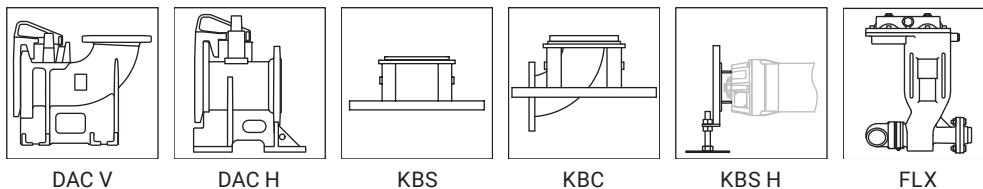


	A	B	C mm		D	E	F	Kg	
	mm	mm	WET	DRY	mm	mm	mm	WET	DRY (*)
ZUG OC150R 1.8/6 BW	506	202	813	-	114	150	394	124	-

(*) Weight for the DRY version includes cooling fluid

W: WET version (submerged operation - S1 duty type) / **D: DRY version** (dry operation - S1 duty type)

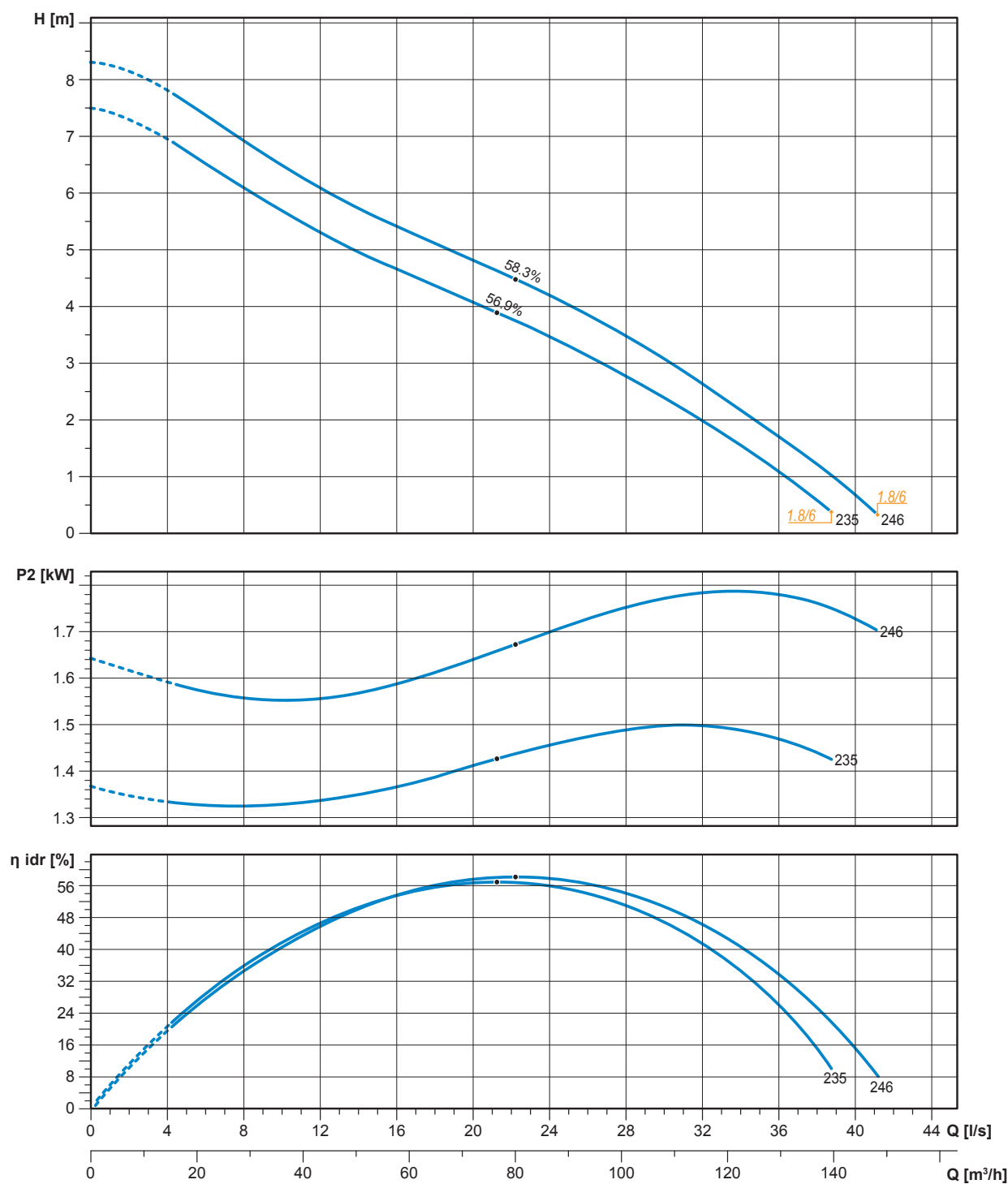
Available accessories



The data provided are not binding. Zenit reserves the right to modify any product without notice.

ZUG OC 150R

Performances



Characteristic curves according to UNI EN ISO 9906

OPEN CHANNEL impeller

ZUG OC 200A

7.5 ÷ 13 kW - 6 poles

Hydraulics

Open channel impeller

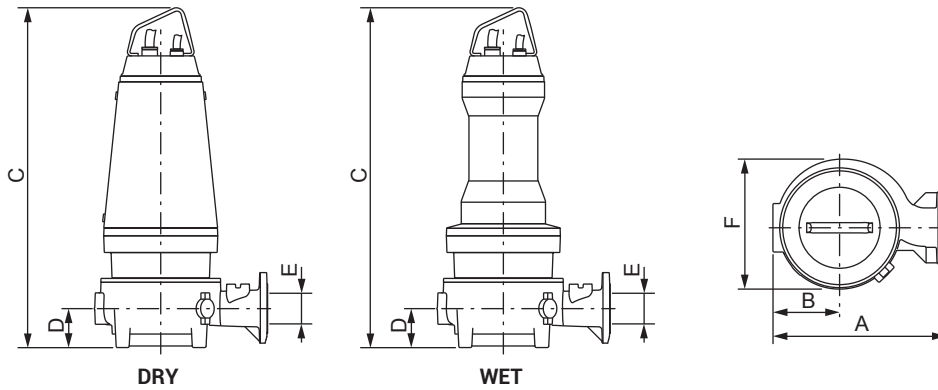
Free passage: 100x70 mm
 Discharge: DN200 - PN10 EN 1092-2
 Suction: DN250



Motor

Type	V/~	Start	A	cos φ	P1 (kW)	P2 (kW)	η mot. %	Efficiency class
7.5/6 A	400-700/3	Y Δ	16.2	0.75	8.4	7.5	89.1	IE3
9/6 A	400-700/3	Y Δ	19.8	0.73	10.0	9.0	89.7	IE3
11/6 A	400-700/3	Y Δ	22.7	0.78	12.2	11.0	90.2	IE3
13/6 H	400-700/3	Y Δ	25.9	0.81	14.6	13.0	89.2	IE2

Overall dimensions and weight

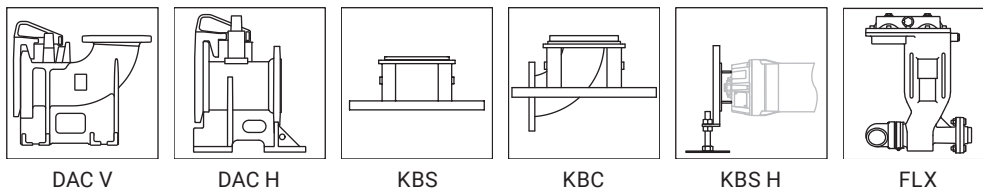


	A	B	C mm		D	E	F	Kg	
	mm	mm	WET	DRY	mm	mm	mm	WET	DRY (*)
ZUG OC 200A 7.5/6 AW (D)	692	273	1265	1265	203	200	539	356.8	403.8
ZUG OC 200A 9/6 AW (D)	692	273	1265	1265	203	200	539	364.5	411.5
ZUG OC 200A 11/6 AW (D)	692	273	1265	1265	203	200	539	374.8	421.8
ZUG OC 200A 13/6 HW (D)	692	273	1265	1265	203	200	539	374.8	421.8

(*) Weight for the DRY version includes cooling fluid

W: WET version (submerged operation - S1 duty type) / **D: DRY version** (dry operation - S1 duty type)

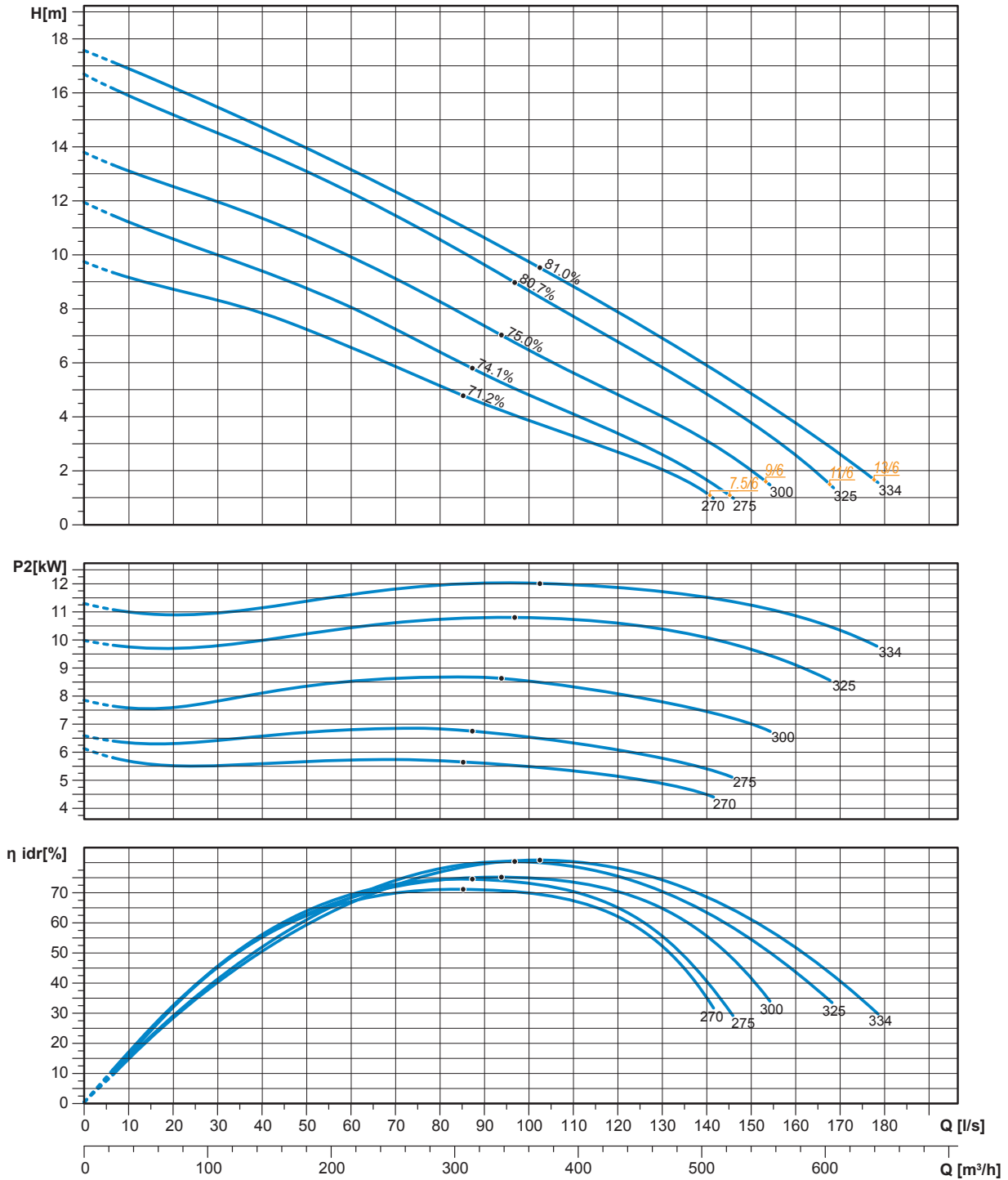
Available accessories



The data provided are not binding. Zenit reserves the right to modify any product without notice.

ZUG OC 200A

Performances



Characteristic curves according to UNI EN ISO 9906

OPEN CHANNEL impeller

ZUG OC 200B

11 ÷ 37 kW - 4 poles

Hydraulics

Open channel impeller

Free passage: 80 mm

Discharge: DN200 - PN10 EN 1092-2

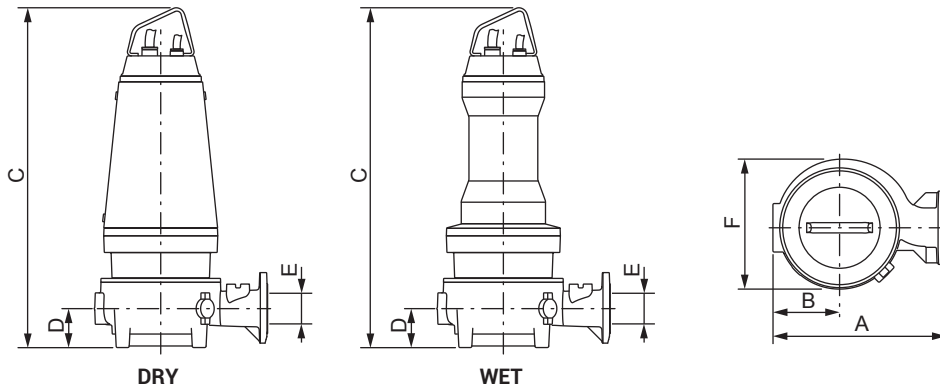
Suction: DN200



Motor

Type	V/~	Start	A	cos φ	P1 (kW)	P2 (kW)	η mot. %	Efficiency class
11/4 A	400-700/3	Y Δ	21.3	0.81	12.0	11.0	91.4	IE3
15/4 A	400-700/3	Y Δ	28.2	0.84	16.3	15.0	91.9	IE3
18.5/4 A	400-700/3	Y Δ	35.2	0.82	20.0	18.5	92.6	IE3

Overall dimensions and weight

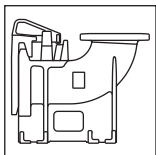


	A mm	B mm	C mm		D mm	E mm	F mm	Kg	
			WET	DRY				WET	DRY (*)
ZUG OC 200B 11/4 AW (D)	692	273	1233	1233	172	200	540	352.1	399.1
ZUG OC 200B 15/4 AW (D)	692	273	1233	1233	172	200	540	365.8	412.8
ZUG OC 200B 18.5/4 AW (D)	692	273	1416	1416	172	200	540	450.4	503.4

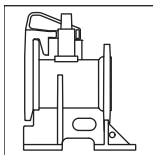
(*) Weight for the DRY version includes cooling fluid

W: WET version (submerged operation - S1 duty type) / **D: DRY version** (dry operation - S1 duty type)

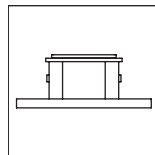
Available accessories



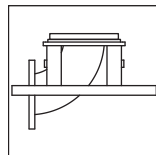
DAC V



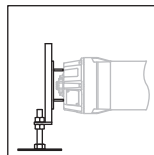
DAC H



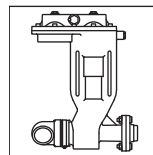
KBS



KBC



KBS H

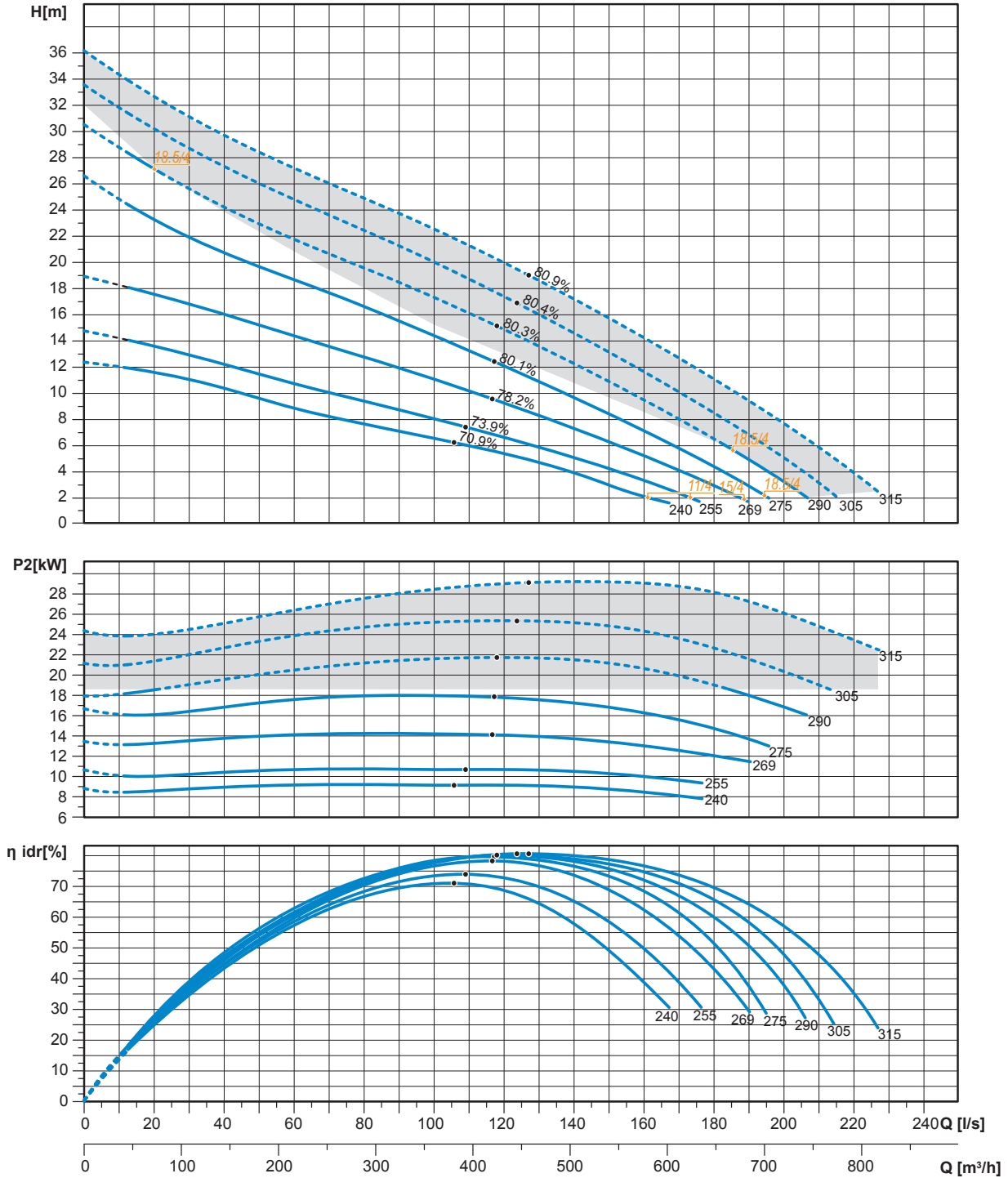


FLX

ZUG OC 200B

Performances

Contact Zenit



Characteristic curves according to UNI EN ISO 9906

OPEN CHANNEL impeller

ZUG OC 200B

7.5 ÷ 9 kW - 6 poles

Hydraulics

Open channel impeller

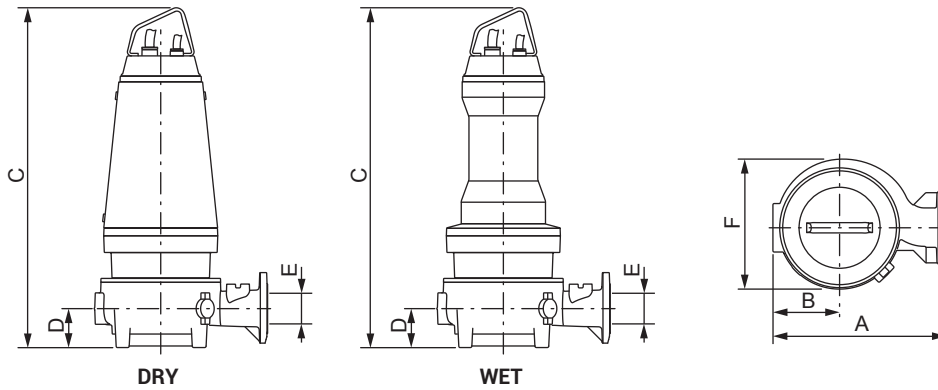
Free passage: 80 mm
 Discharge: DN200 - PN10 EN 1092-2
 Suction: DN200



Motor

Type	V/~	Start	A	cos φ	P1 (kW)	P2 (kW)	η mot. %	Efficiency class
7.5/6 A	400-700/3	Y Δ	16.2	075	8.4	7.5	89.1	IE3
9/6 A	400-700/3	Y Δ	19.8	0.73	10.0	9.0	89.7	IE3

Overall dimensions and weight

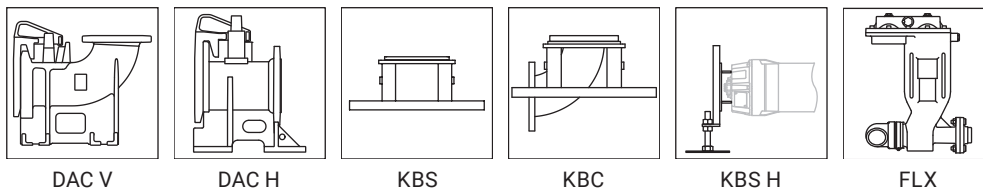


	A mm	B mm	C mm		D mm	E mm	F mm	Kg	
			WET	DRY				WET	DRY (*)
ZUG OC 200B 7.5/6 AW (D)	692	273	1233	1233	172	200	540	319.6	366.6
ZUG OC 200B 9/6 AW (D)	692	273	1233	1233	172	200	540	327.3	374.3

(*) Weight for the DRY version includes cooling fluid

W: WET version (submerged operation - S1 duty type) / **D: DRY version** (dry operation - S1 duty type)

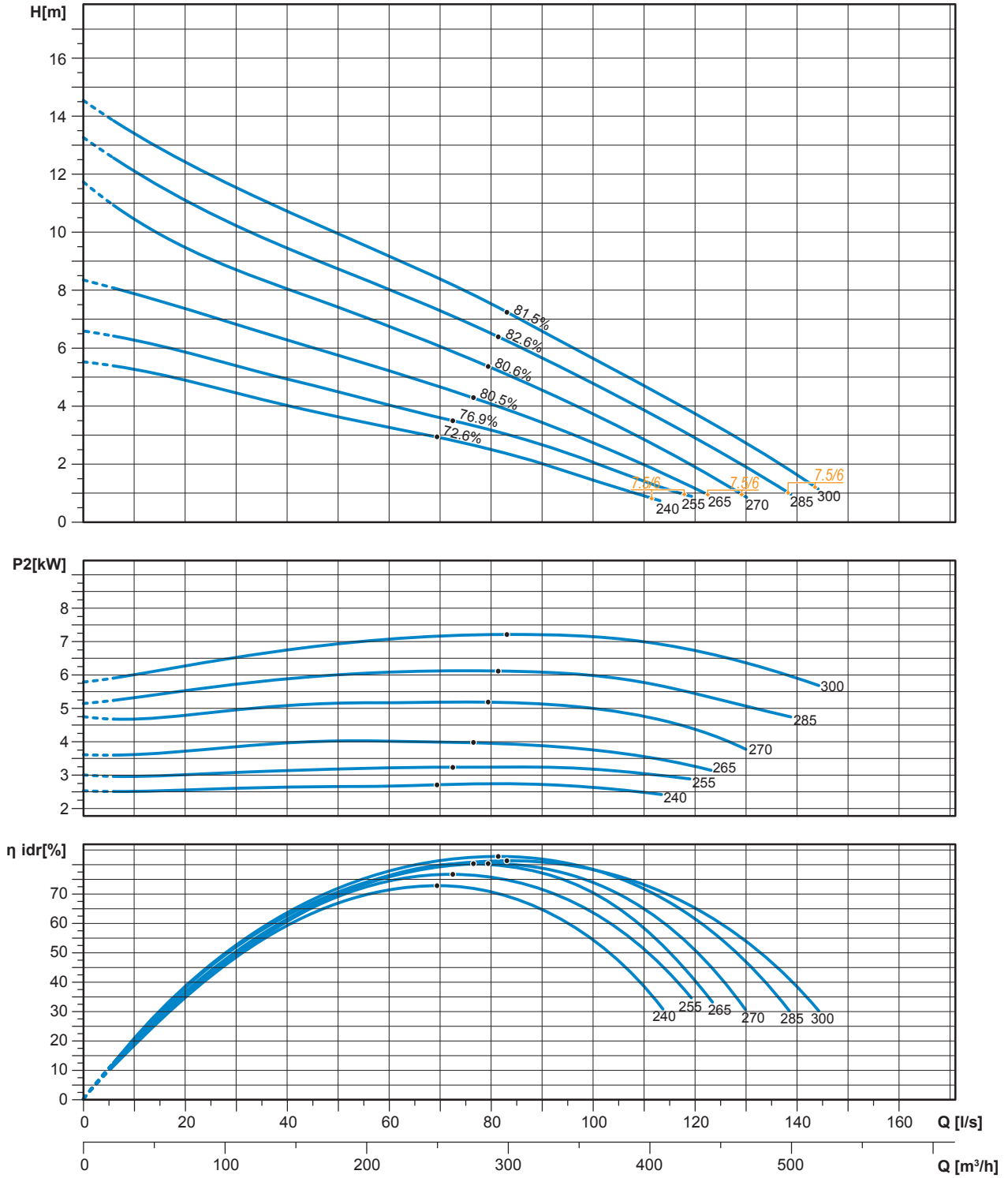
Available accessories



The data provided are not binding. Zenit reserves the right to modify any product without notice.

ZUG OC 200B

Performances



Characteristic curves according to UNI EN ISO 9906

OPEN CHANNEL impeller

ZUG OC 250C

7.5 ÷ 13 kW - 6 poles

Hydraulics

Open channel impeller

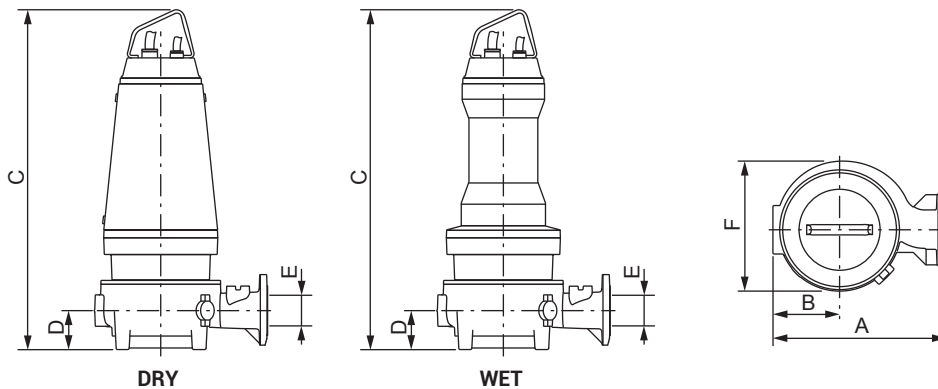
Free passage: 100x70 mm
 Discharge: DN250 - PN10 EN 1092-2
 Suction: DN250



Motor

Type	V/~	Start	A	cos φ	P1 (kW)	P2 (kW)	η mot. %	Efficiency class
7.5/6 A	400-700/3	Y Δ	16.2	0.75	8.4	7.5	89.1	IE3
9/6 A	400-700/3	Y Δ	19.8	0.73	10.0	9.0	89.7	IE3
11/6 A	400-700/3	Y Δ	22.7	0.78	12.2	11.0	90.2	IE3
13/6 H	400-700/3	Y Δ	25.9	0.81	14.6	13.0	89.2	IE2

Overall dimensions and weight

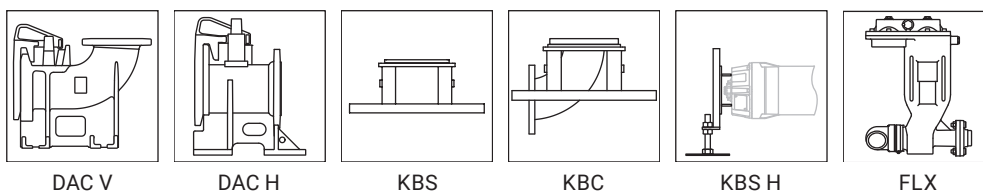


	A mm	B mm	C mm		D mm	E mm	F mm	Kg	
			WET	DRY				WET	DRY (*)
ZUG OC 250C 7.5/6 AW (D)	810	335	1265	1265	205	250	610	382.3	429.3
ZUG OC 250C 9/6 AW (D)	810	335	1265	1265	205	250	610	390	437
ZUG OC 250C 11/6 AW (D)	810	335	1265	1265	205	250	610	400.3	447.3
ZUG OC 250C 13/6 HW (D)	810	335	1265	1265	205	250	610	400.3	447.3

(*) Weight for the DRY version includes cooling fluid

W: WET version (submerged operation - S1 duty type) / **D: DRY version** (dry operation - S1 duty type)

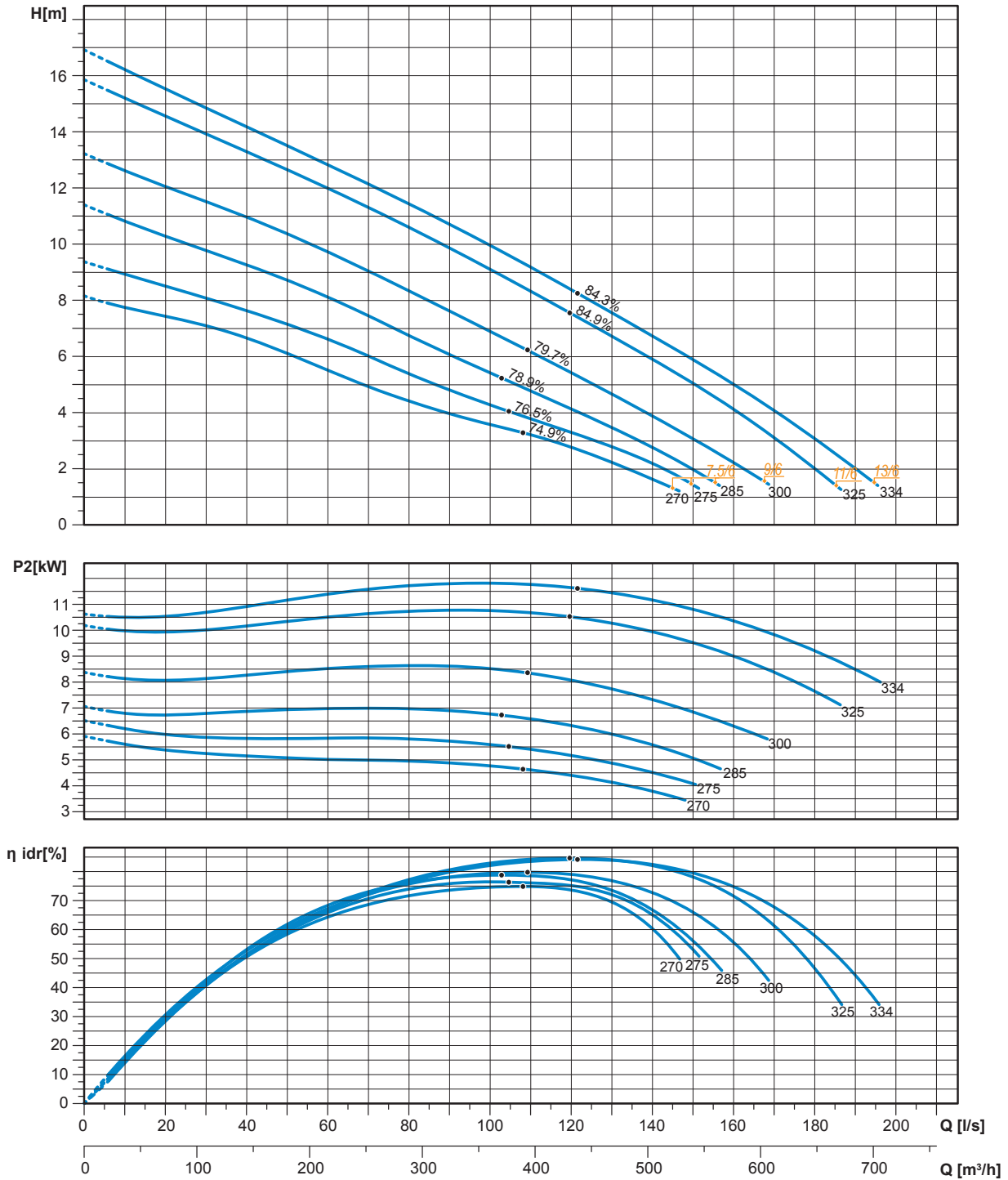
Available accessories



The data provided are not binding. Zenit reserves the right to modify any product without notice.

ZUG OC 250C

Performances



Characteristic curves according to UNI EN ISO 9906

OPEN CHANNEL impeller

ZUG OC 250H

11 ÷ 37 kW - 4 poles

Hydraulics

Open channel impeller

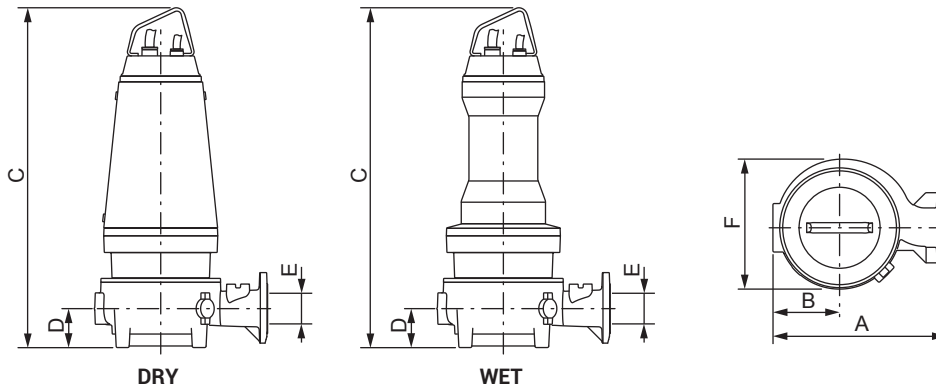
Free passage: 80 mm
 Discharge: DN250 - PN10 EN 1092-2
 Suction: DN250



Motor

Type	V/~	Start	A	cos φ	P1 (kW)	P2 (kW)	η mot. %	Efficiency class
11/4 A	400-700/3	Y Δ	21.3	0.81	12.0	11.0	91.4	IE3
15/4 A	400-700/3	Y Δ	28.2	0.84	16.3	15.0	91.9	IE3
18.5/4 A	400-700/3	Y Δ	35.2	0.82	20.0	18.5	92.6	IE3

Overall dimensions and weight

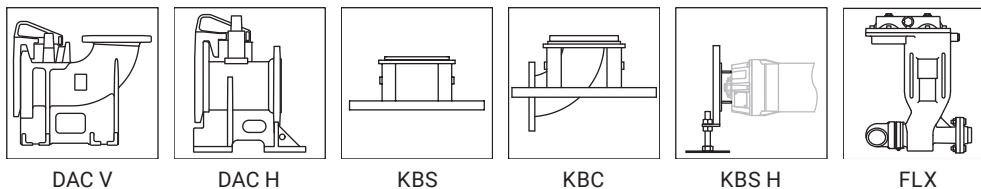


	A mm	B mm	C mm		D mm	E mm	F mm	Kg	
			WET	DRY				WET	DRY (*)
ZUG OC 250H 11/4 AW (D)	810	335	1265	1265	205	250	610	382.6	429.6
ZUG OC 250H 15/4 AW (D)	810	335	1265	1265	205	250	610	396.3	443.3
ZUG OC 250H 18.5/4 AW (D)	810	335	1445	1445	205	250	610	480.9	533.9

(*) Weight for the DRY version includes cooling fluid

W: WET version (submerged operation - S1 duty type) / **D: DRY version** (dry operation - S1 duty type)

Available accessories

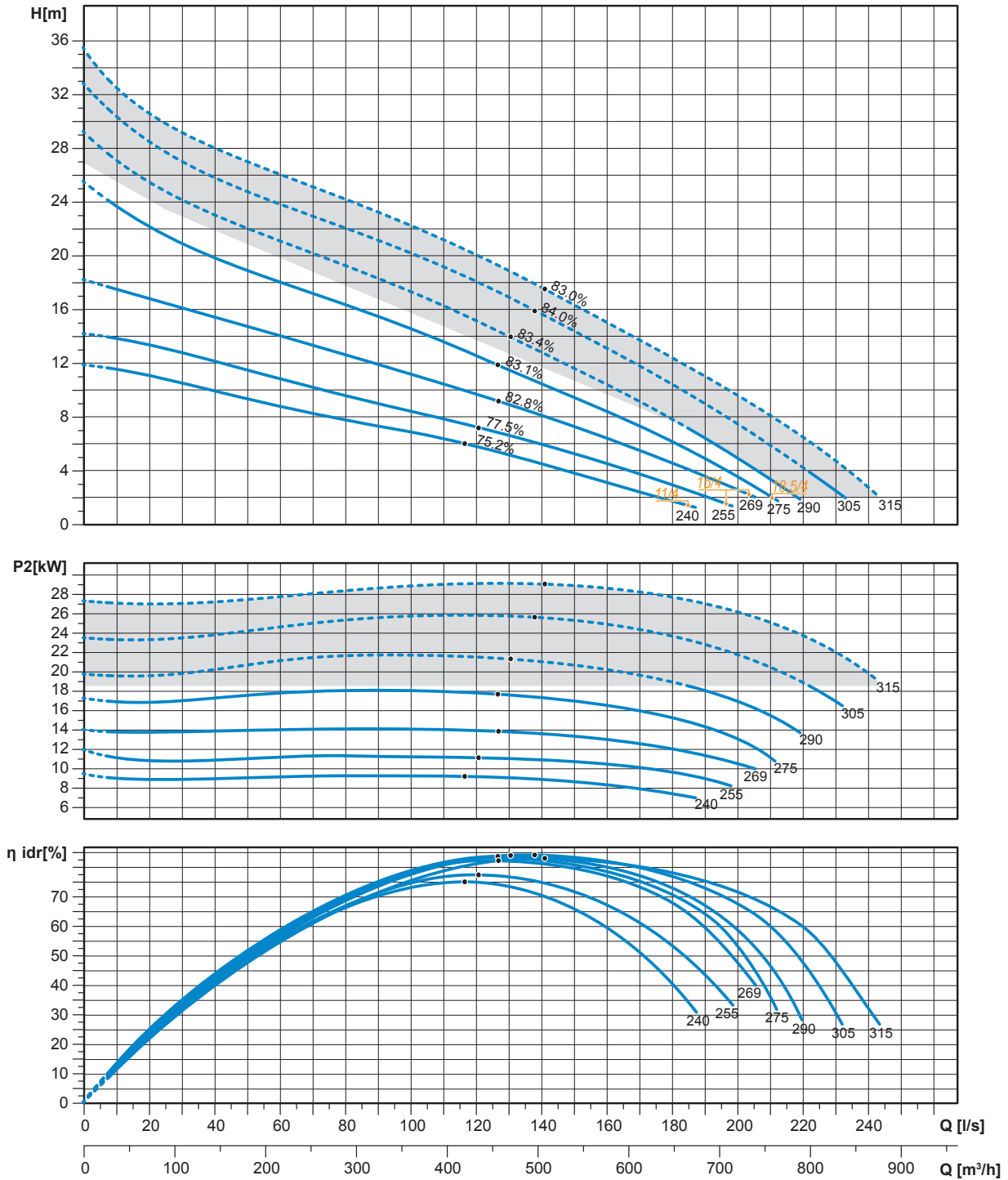


The data provided are not binding. Zenit reserves the right to modify any product without notice.

ZUG OC 250H

Performances

Contact Zenit



Characteristic curves according to UNI EN ISO 9906

OPEN CHANNEL impeller

ZUG OC 250H

7.5 ÷ 11 kW - 6 poles

Hydraulics

Open channel impeller

Free passage: 80 mm

Discharge: DN250 - PN10 EN 1092-2

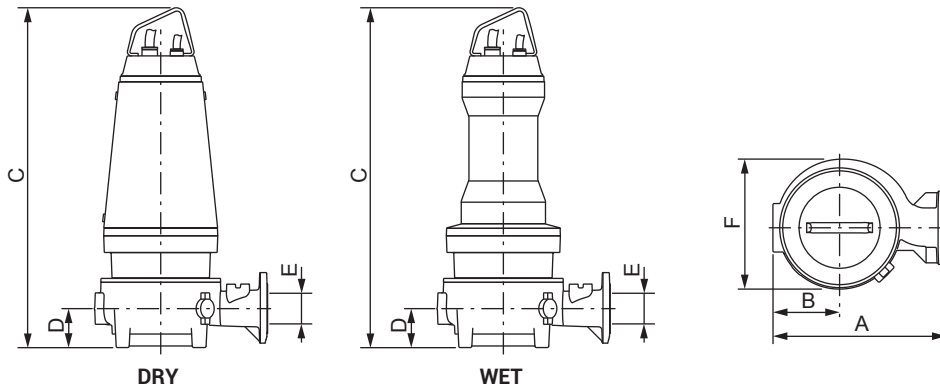
Suction: DN250



Motor

Type	V/~	Start	A	cos φ	P1 (kW)	P2 (kW)	η mot. %	Efficiency class
7.5/6 A	400-700/3	Y Δ	16.2	0.75	8.4	7.5	89.1	IE3
9/6 A	400-700/3	Y Δ	19.8	0.73	10.0	9.0	89.7	IE3
11/6 A	400-700/3	Y Δ	22.7	0.78	12.2	11.0	90.2	IE3

Overall dimensions and weight

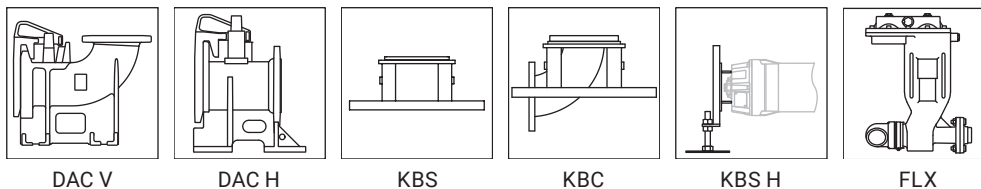


	A mm	B mm	C mm		D mm	E mm	F mm	Kg	
			WET	DRY				WET	DRY (*)
ZUG OC 250H 7.5/6 AW (D)	810	335	1265	1265	205	250	610	350.1	397.1
ZUG OC 250H 9/6 AW (D)	810	335	1265	1265	205	250	610	357.8	404.8
ZUG OC 250H 11/6 AW (D)	810	335	1265	1265	205	250	610	368.1	415.1

(*) Weight for the DRY version includes cooling fluid

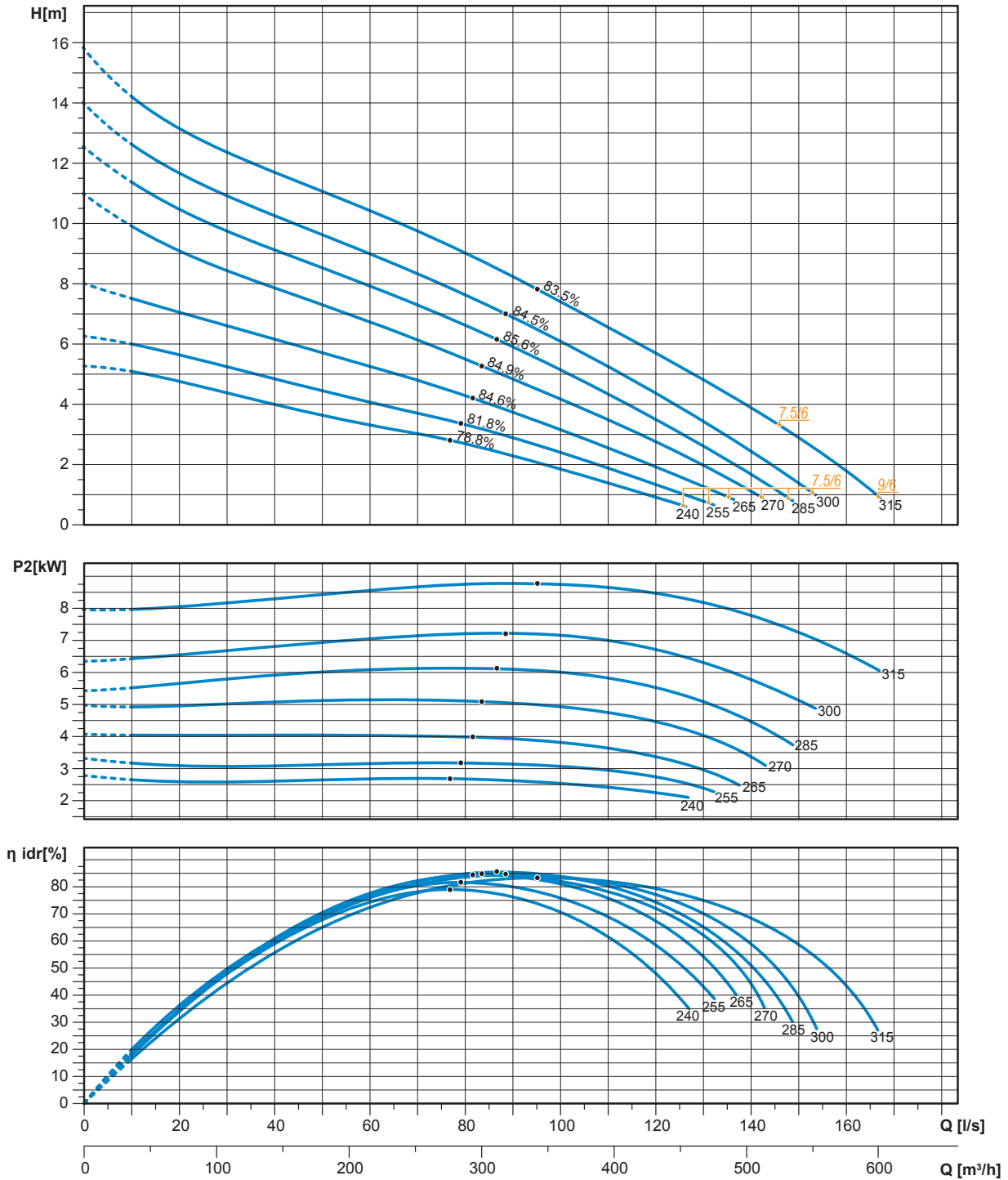
W: WET version (submerged operation - S1 duty type) / **D: DRY version** (dry operation - S1 duty type)

Available accessories



ZUG OC 250H

Performances



Characteristic curves according to UNI EN ISO 9906

OPEN CHANNEL impeller

ZUG OC 250K

11 ÷ 15 kW - 6 poles

Hydraulics

Open channel impeller

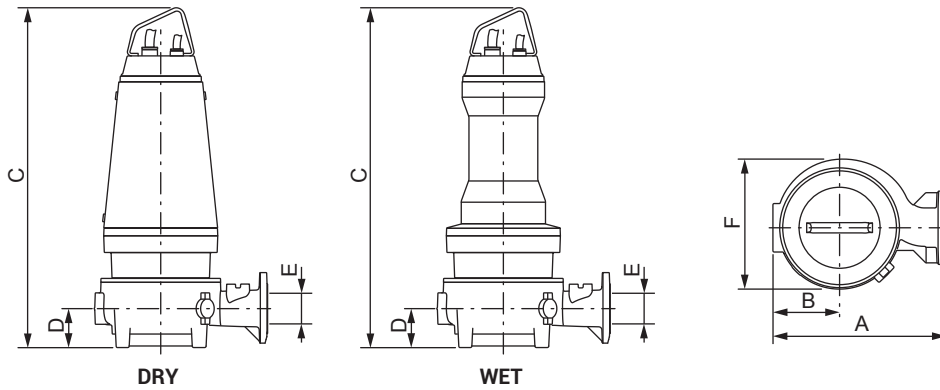
Free passage: 130 mm
 Discharge: DN250 - PN10 EN 1092-2
 Suction: DN250



Motor

Type	V/~	Start	A	cos φ	P1 (kW)	P2 (kW)	η mot. %	Efficiency class
11/6 A	400-700/3	Y Δ	22.7	0.78	12.2	11.0	90.2	IE3
13/6 A	400-700/3	Y Δ	25.9	0.81	14.6	13.0	89.2	IE2
15/6 A	400-700/3	Y Δ	29.7	0.80	16.4	15.0	91.2	IE3

Overall dimensions and weight

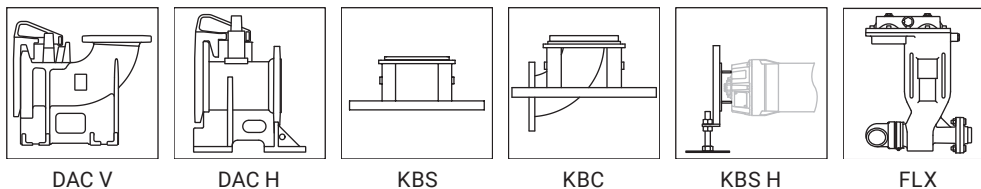


	A mm	B mm	C mm		D mm	E mm	F mm	G mm	H mm		Kg	
			WET	DRY							WET	DRY (*)
ZUG OC 250K 11/6 AW (D)	808	334	1265	1265	203	250	609	22	350	12	400.3	447.3
ZUG OC 250K 13/6 HW (D)	808	334	1265	1265	203	250	609	22	350	12	400.3	447.3
ZUG OC 250K 15/6 AW (D)	808	334	1448	1448	203	250	609	22	350	12	535.3	588.3

(*) Weight for the DRY version includes cooling fluid

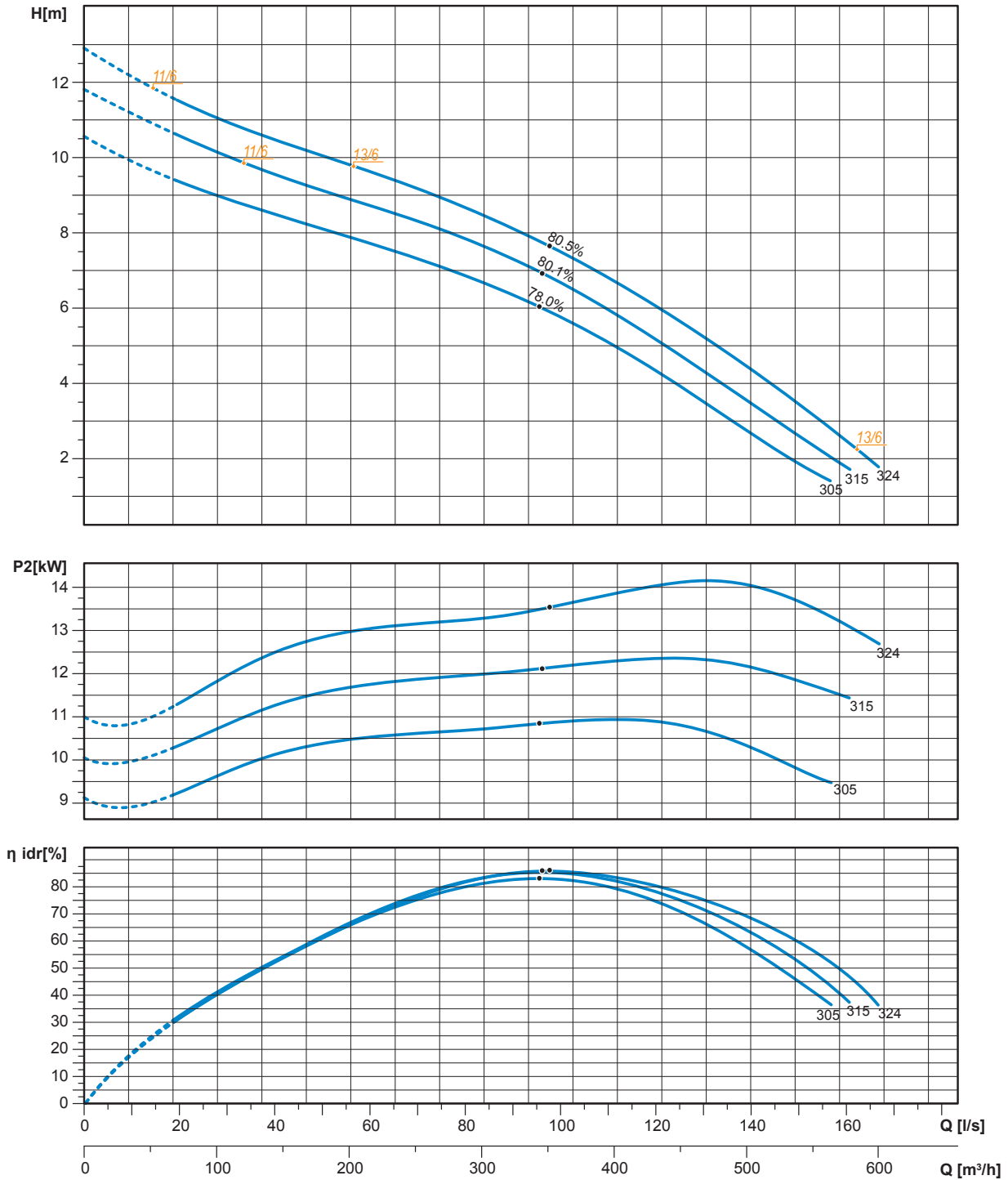
W: WET version (submerged operation - S1 duty type) / **D: DRY version** (dry operation - S1 duty type)

Available accessories



The data provided are not binding. Zenit reserves the right to modify any product without notice.

Performances



Characteristic curves according to UNI EN ISO 9906

impeller **GRINDER**

ZUG GR 050A

4 ÷ 9 kW - 2 poles



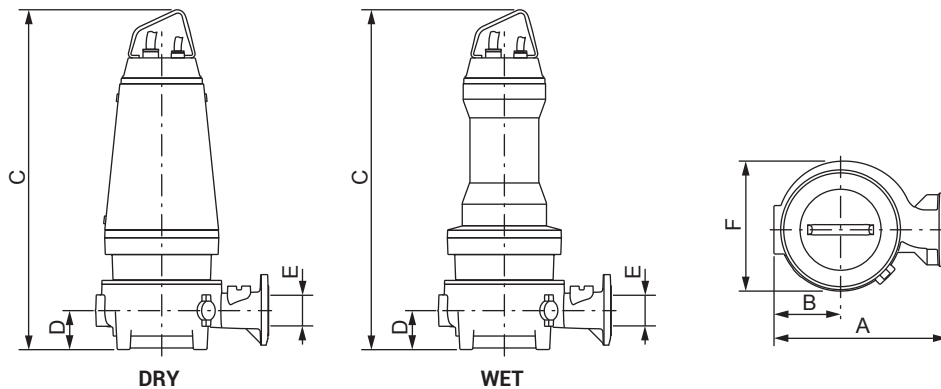
Hydraulics

Grinder impeller
 Free passage: -
 Discharge: G2" - DN50 PN10-16 EN 1092-2
 Suction: -

Motor

Type	V/~	Start	A	cos φ	P1 (kW)	P2 (kW)	η mot. %	Efficiency class
4/2 A	400-700/3	Y Δ	7.7	0.85	4.5	4.0	88.2	IE3
5.5/2 A	400-700/3	Y Δ	10.2	0.88	6.2	5.5	89.2	IE3
7.5/2 A	400-700/3	Y Δ	14.1	0.85	8.3	7.5	90.1	IE3
9/2 A	400-700/3	Y Δ	16.6	0.87	9.9	9.0	90.7	IE3

Overall dimensions and weight

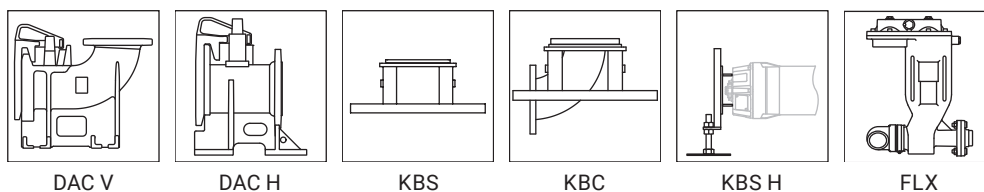


	A mm	B mm	C mm		D mm	E mm	F mm	Kg	
			WET	DRY				WET	DRY (*)
ZUG GR 050A 4/2 AW (D)	362	142	744	844	59	G 2"	284	108.9	124.9
ZUG GR 050A 5.5/2 AW	362	142	744	-	59	G 2"	284	111.9	-
ZUG GR 050A 7.5/2 AW	362	142	844	-	59	G 2"	284	124.9	-
ZUG GR 050A 9/2 AW	362	142	844	-	59	G 2"	284	128.9	-

(*) Weight for the DRY version includes cooling fluid

W: WET version (submerged operation - S1 duty type) / **D: DRY version** (dry operation - S1 duty type)

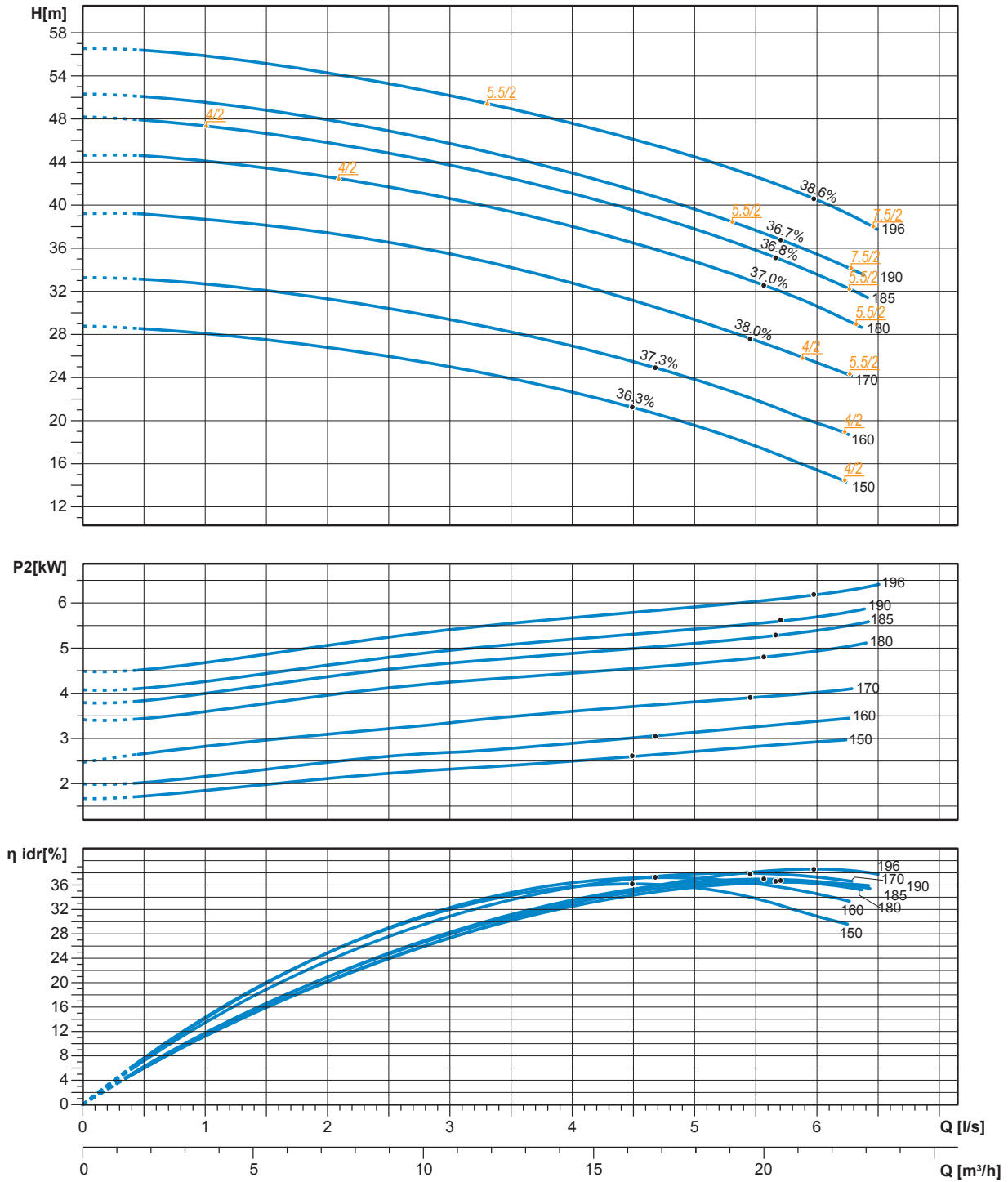
Available accessories



The data provided are not binding. Zenit reserves the right to modify any product without notice.

ZUG GR 050A

Performances



Characteristic curves according to UNI EN ISO 9906

impeller **GRINDER**

ZUG GR 050B

5.5 ÷ 11 kW - 2 poles

Hydraulics

Grinder impeller

Free passage: -

Discharge: G2" - DN50 PN10-16 EN 1092-2

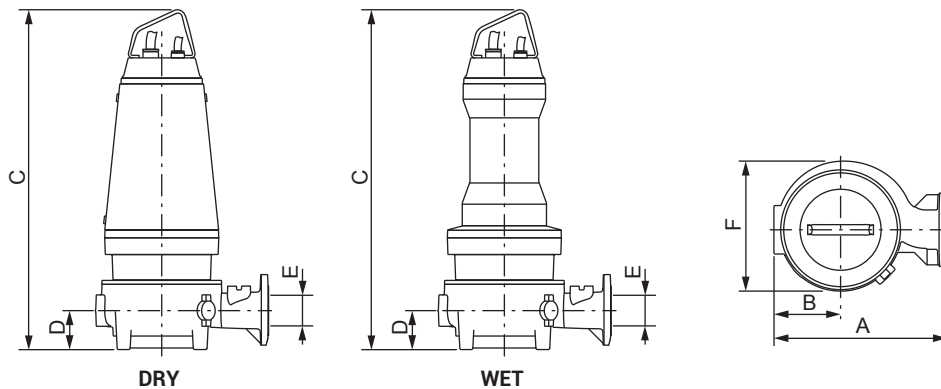
Suction: -



Motor

Type	V/~	Start	A	cos φ	P1 (kW)	P2 (kW)	η mot. %	Efficiency class
5.5/2 A	400-700/3	Y Δ	10.2	0.88	6.2	5.5	89.2	IE3
7.5/2 A	400-700/3	Y Δ	14.1	0.85	8.3	7.5	90.1	IE3
9/2 A	400-700/3	Y Δ	16.6	0.87	9.9	9.0	90.7	IE3
11/2 A	400-700/3	Y Δ	20.0	0.87	12.0	11.0	91.7	IE3

Overall dimensions and weight

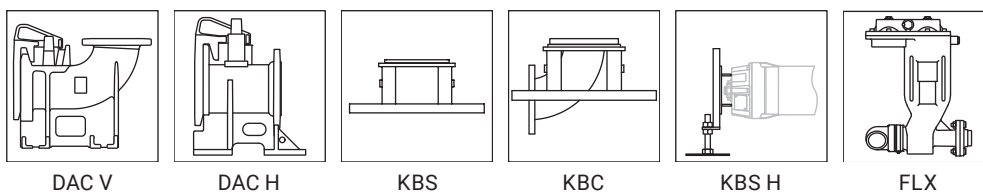


	A mm	B mm	C mm		D mm	E mm	F mm	Kg	
			WET	DRY				WET	DRY (*)
ZUG GR 050B 5.5/2 AW	403	160	765	-	65	G 2"	320	111.9	-
ZUG GR 050B 7.5/2 AW (D)	403	160	865	940	65	G 2"	320	124.9	208.9
ZUG GR 050B 9/2 AW (D)	403	160	865	940	65	G 2"	320	128.9	212.9
ZUG GR 050B 11/2 AW (D)	403	160	865	940	65	G 2"	320	132.9	215.0

(*) Weight for the DRY version includes cooling fluid

W: WET version (submerged operation - S1 duty type) / **D: DRY version** (dry operation - S1 duty type)

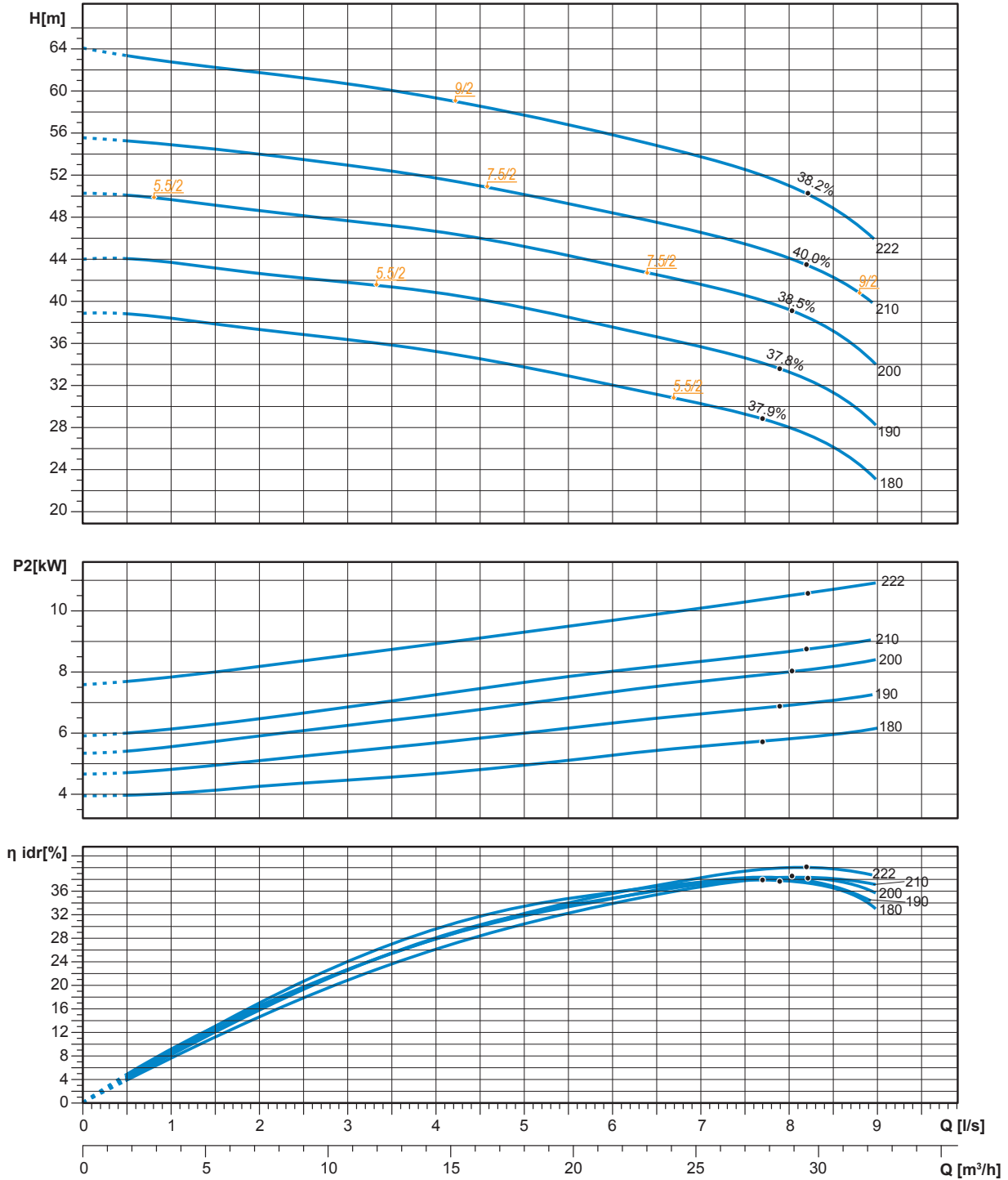
Available accessories



The data provided are not binding. Zenit reserves the right to modify any product without notice.

ZUG GR 050B

Performances



Characteristic curves according to UNI EN ISO 9906

HIGH HEAD impeller

ZUG HP 050A

4 ÷ 9 kW - 2 poles

Hydraulics

High head impeller

Free passage: 7.5 mm

Discharge: G2" - DN32 PN10-16 EN 1092-2

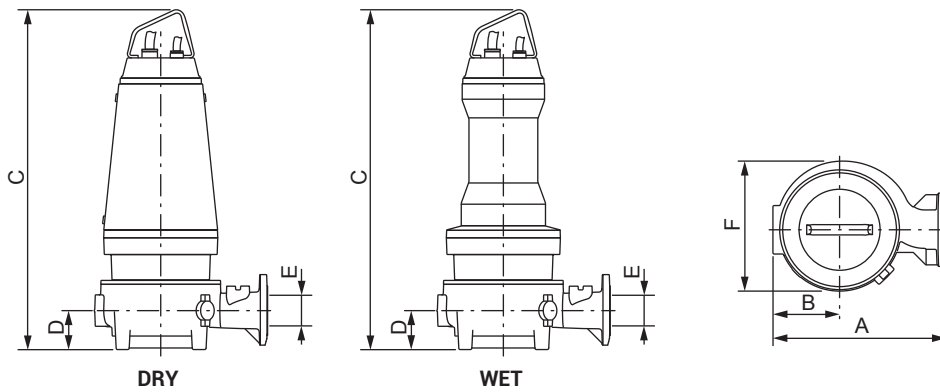
Suction: DN65



Motor

Type	V/~	Start	A	cos φ	P1 (kW)	P2 (kW)	η mot. %	Efficiency class
4/2 A	400-700/3	Y Δ	7.7	0.85	4.5	4.0	88.4	IE3
5.5/2 A	400-700/3	Y Δ	10.2	0.87	6.2	5.5	89.2	IE3
7.5/2 A	400-700/3	Y Δ	14.1	0.85	8.3	7.5	90.2	IE3
9/2 A	400-700/3	Y Δ	16.5	0.87	9.9	9.0	90.6	IE3

Overall dimensions and weight

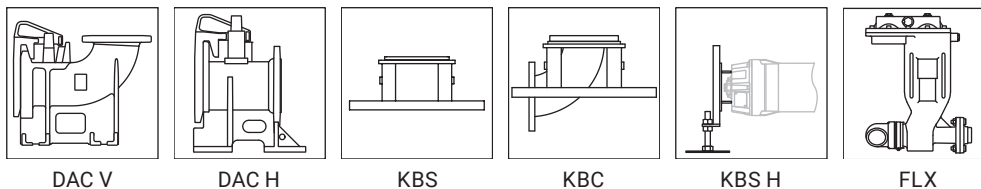


	A mm	B mm	C mm		D mm	E mm	F mm	Kg	
			WET	DRY				WET	DRY (*)
ZUG HP 050A 4/2 AW (D)	360	142.5	760	860	77	G 2"	285	113.4	129.4
ZUG HP 050A 5.5/2 AW	360	142.5	760	-	77	G 2"	285	116.4	-
ZUG HP 050A 7.5/2 AW	360	142.5	860	-	77	G 2"	285	129.4	-
ZUG HP 050A 9/2 AW	360	142.5	860	-	77	G 2"	285	133.4	-

(*) Weight for the DRY version includes cooling fluid

W: WET version (submerged operation - S1 duty type) / **D: DRY version** (dry operation - S1 duty type)

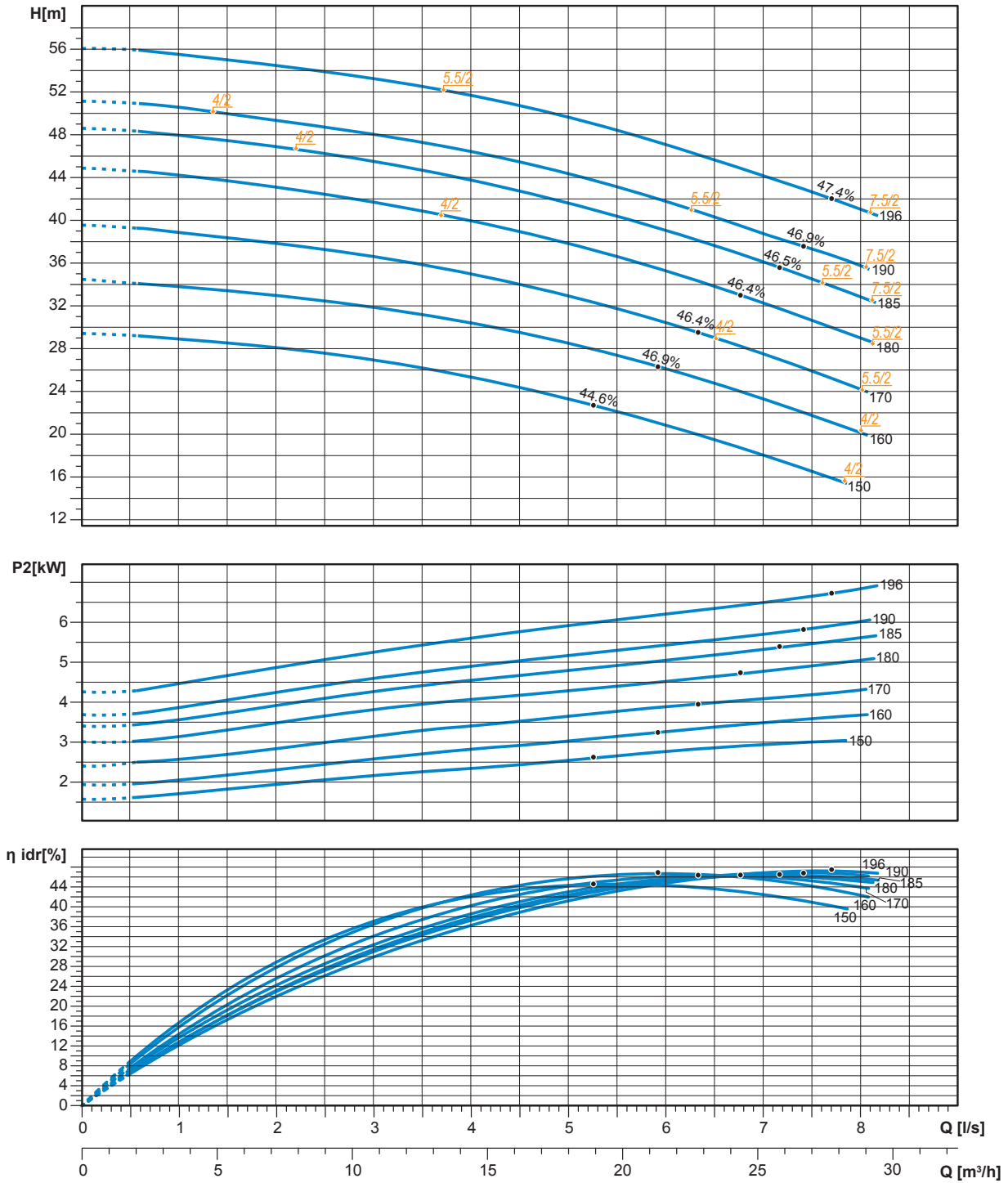
Available accessories



The data provided are not binding. Zenit reserves the right to modify any product without notice.

ZUG HP 050A

Performances



Characteristic curves according to UNI EN ISO 9906

HIGH HEAD impeller

ZUG HP 050B

5.5 ÷ 15 kW - 2 poles

Hydraulics

High head impeller

Free passage: 7.5 mm

Discharge: G2" - DN32 PN10-16 EN 1092-2

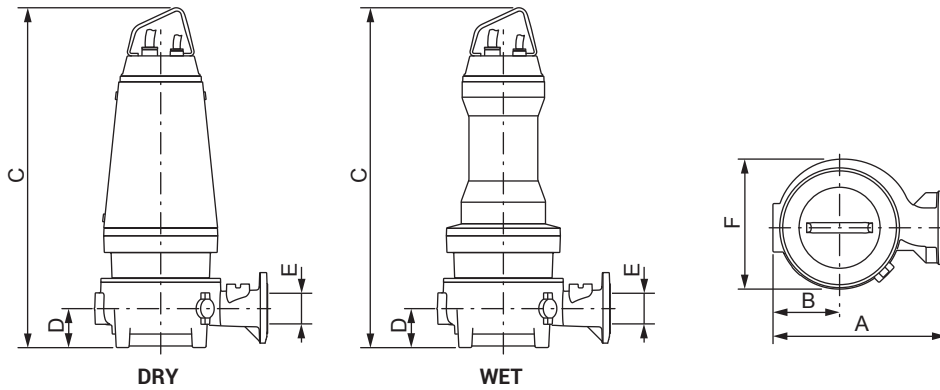
Suction: DN65



Motor

Type	V/~	Start	A	cos φ	P1 (kW)	P2 (kW)	η mot. %	Efficiency class
5.5/2 A	400-700/3	Y Δ	10.2	0.88	6.2	5.5	89.2	IE3
7.5/2 A	400-700/3	Y Δ	14.1	0.85	8.3	7.5	90.1	IE3
9/2 A	400-700/3	Y Δ	16.6	0.87	9.9	9.0	90.7	IE3
11/2 A	400-700/3	Y Δ	20.0	0.87	12.0	11.0	91.7	IE3
15/2 A	400-700/3	Y Δ	26.7	0.88	16.3	15.0	91.9	IE3

Overall dimensions and weight

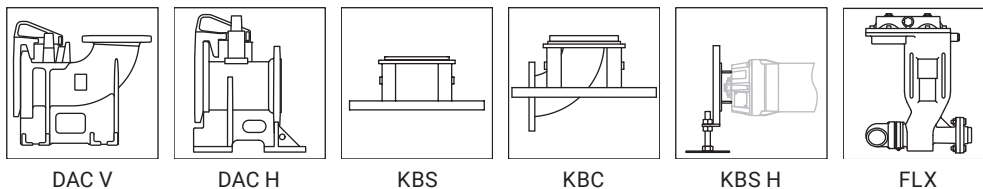


	A mm	B mm	C mm		D mm	E mm	F mm	Kg	
			WET	DRY				WET	DRY (*)
ZUG HP 050B 5.5/2 AW	404	160	773	-	77	G 2"	320	120.9	-
ZUG HP 050B 7.5/2 AW (D)	404	160	873	948	77	G 2"	320	133.9	217.9
ZUG HP 050B 9/2 AW (D)	404	160	873	948	77	G 2"	320	137.9	240.6
ZUG HP 050B 11/2 AW (D)	404	160	873	948	77	G 2"	320	141.9	224.0
ZUG HP 050B 15/2 AW (D)	404	160	1043	1043	77	G 2"	320	205.0	240.6

(*) Weight for the DRY version includes cooling fluid

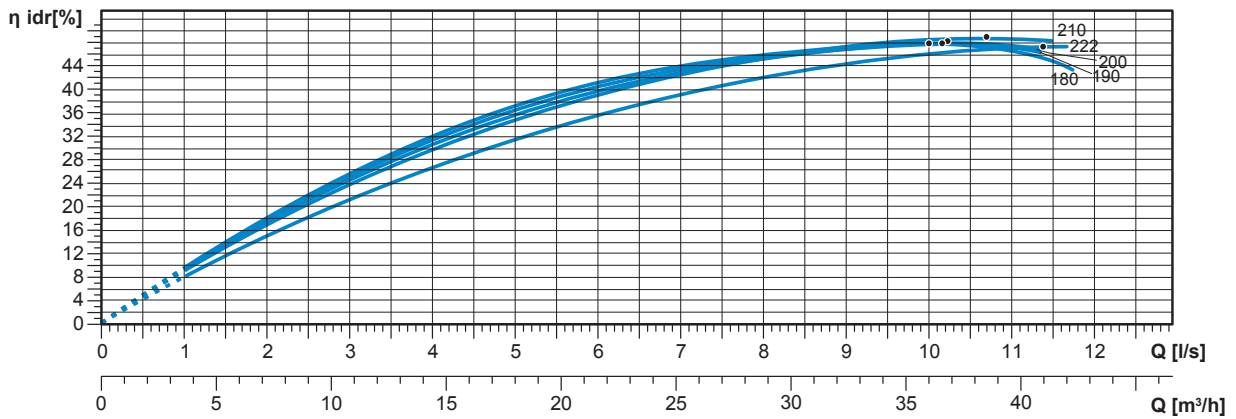
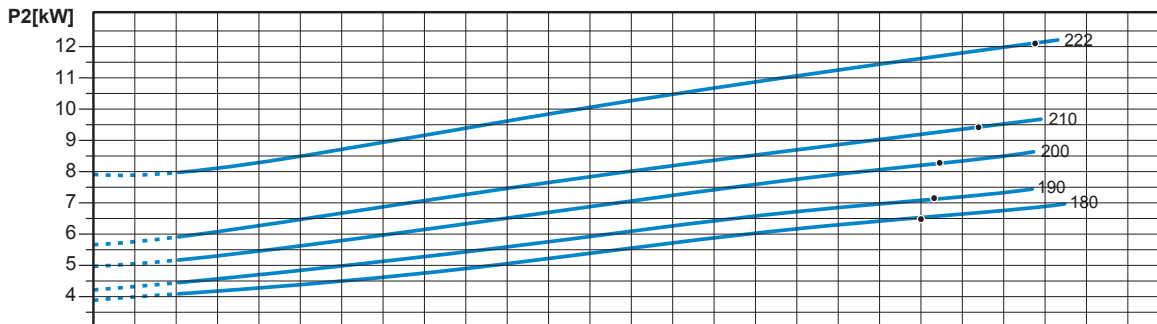
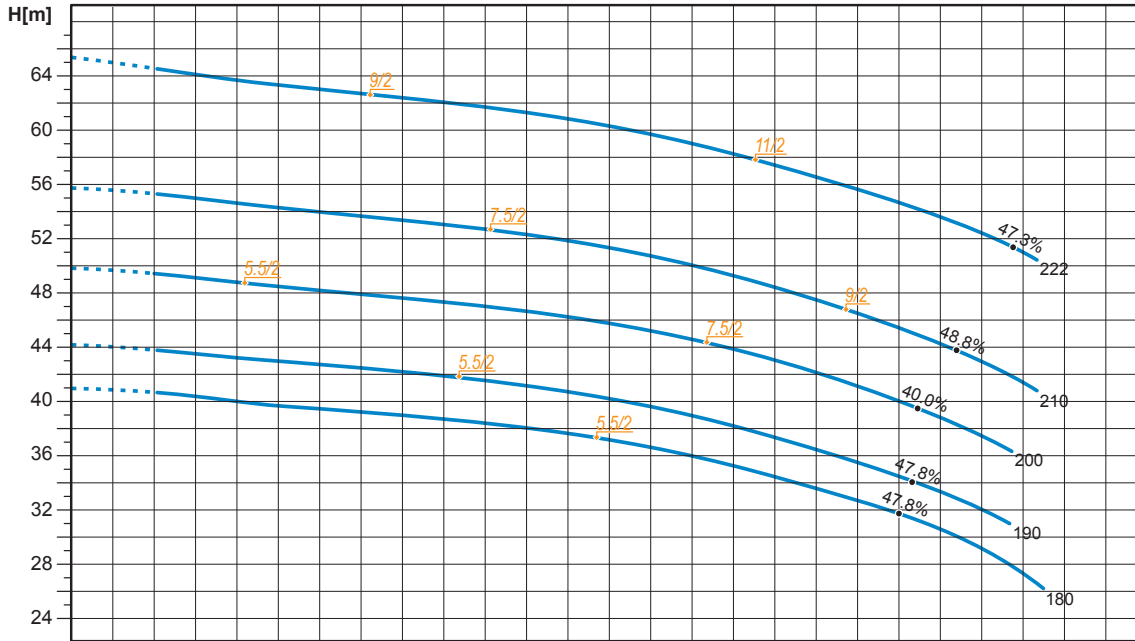
W: WET version (submerged operation - S1 duty type) / **D: DRY version** (dry operation - S1 duty type)

Available accessories



ZUG HP 050B

Performances



Characteristic curves according to UNI EN ISO 9906

CHOPPER impeller

ZUG CP 100F

22 ÷ 37 kW - 2 poles

Hydraulics

Chopper impeller

Free passage: -

Discharge: DN 100

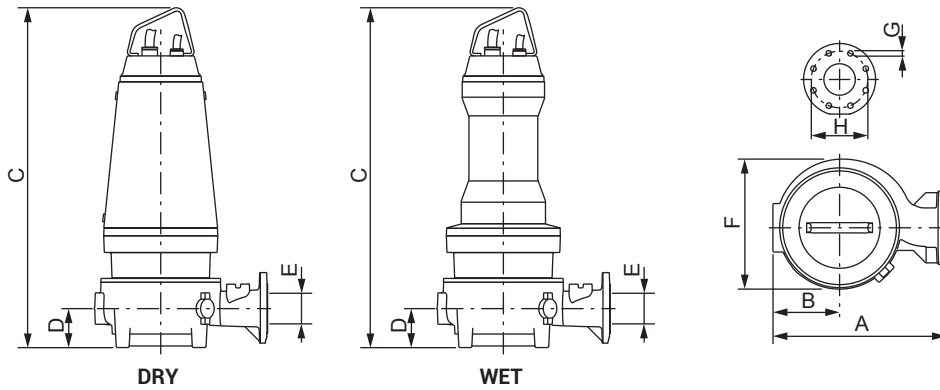
Suction: DN150



Motor

Type	V/~	Start	A	cos φ	P1 (kW)	P2 (kW)	η mot. %	Efficiency class
22/2 A	400-700/3	Y Δ	39.3	0.87	23.7	22.0	92.8	IE3
30/2 A	400-700/3	Y Δ	53.0	0.88	30.2	30.0	93.3	IE3
37/2 H	400-700/3	Y Δ	64.1	0.90	40.1	37.0	92.3	IE2

Overall dimensions and weight

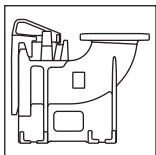


	A mm	B mm	C mm		D mm	E mm	F mm	G mm	H mm		Kg	
			WET	DRY							WET	DRY (*)
ZUG CP 100F 22/2 AW (D)	602	208	1181	1181	124	100	413	18	180	8	341.6	388.6
ZUG CP 100F 30/2 AW (D)	602	208	1181	1181	124	100	413	18	180	8	351.8	398.8
ZUG CP 100F 37/2 HW (D)	602	208	1181	1181	124	100	413	18	180	8	351.8	398.8

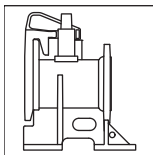
(*) Weight for the DRY version includes cooling fluid

W: WET version (submerged operation - S1 duty type) / **D: DRY version** (dry operation - S1 duty type)

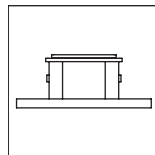
Available accessories



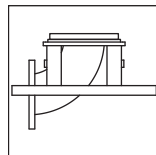
DAC V



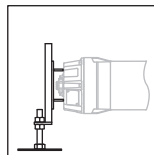
DAC H



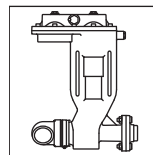
KBS



KBC



KBS H

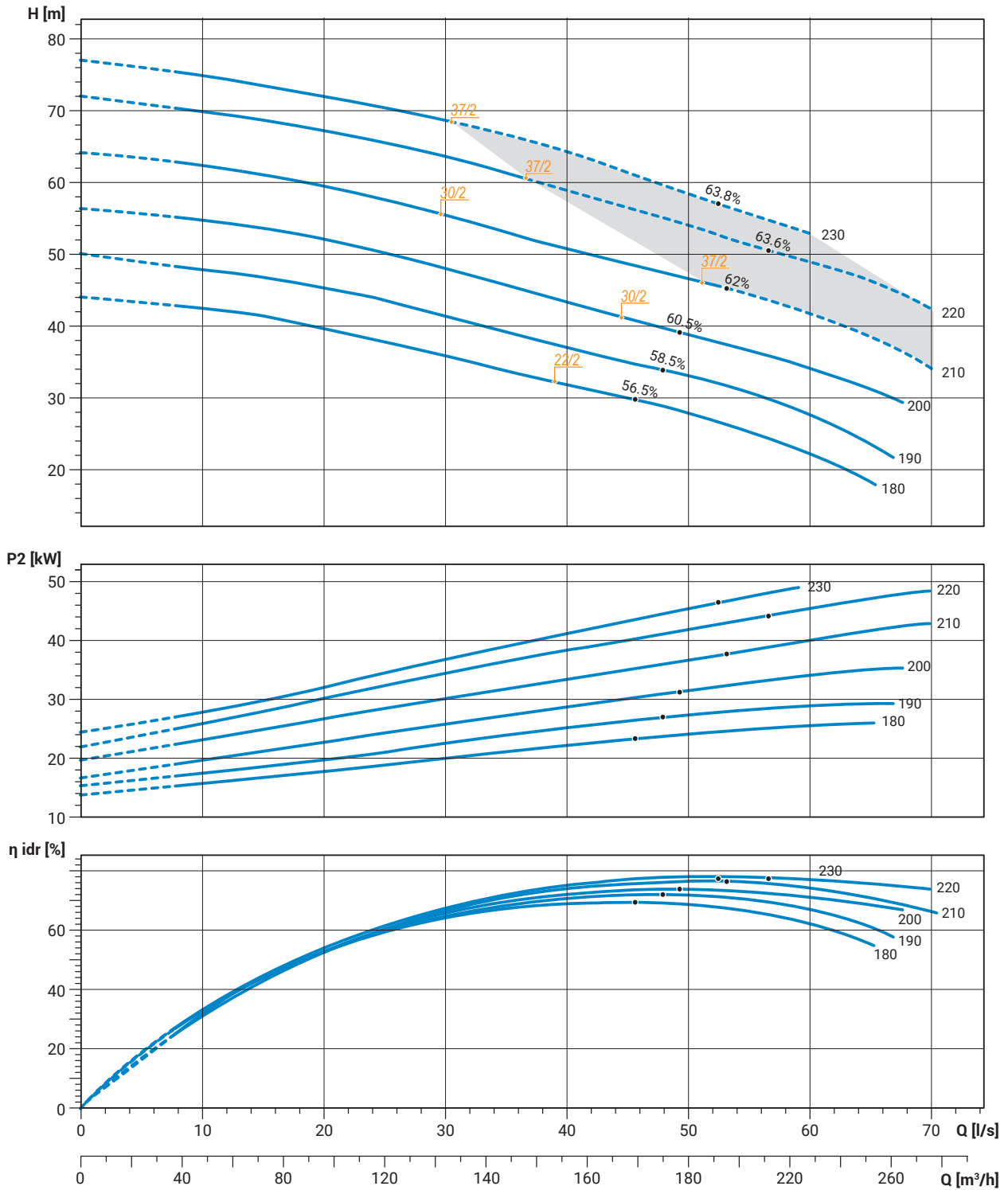


FLX

The data provided are not binding. Zenit reserves the right to modify any product without notice.

ZUG CP 100F

Performances



Characteristic curves according to UNI EN ISO 9906

CHOPPER impeller

ZUG CP 100F

3 ÷ 15 kW - 4 poles

Hydraulics

Chopper impeller

Free passage: -

Discharge: DN 100

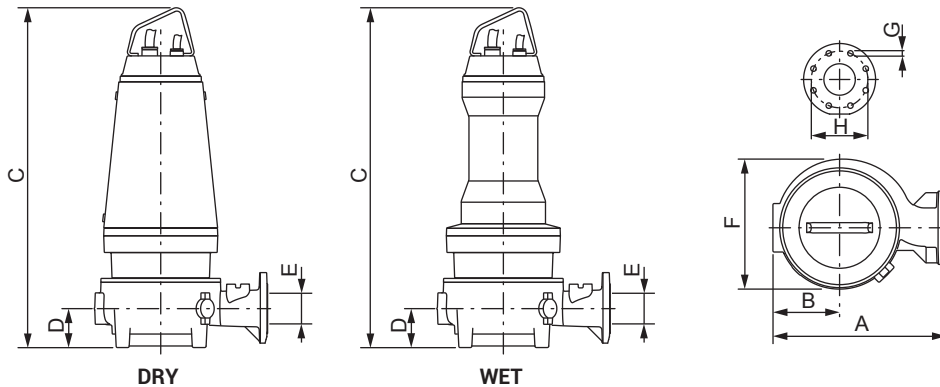
Suction: DN150



Motor

Type	V/~	Start	A	cos φ	P1 (kW)	P2 (kW)	η mot. %	Efficiency class
3/4 A	400-700/3	Y Δ	6.6	0.75	3.42	3.0	87.7	IE3
4/4 A	400-700/3	Y Δ	8.5	0.77	4.5	4.0	88.7	IE3
5.5/4 A	400-700/3	Y Δ	11.7	0.76	6.1	5.5	89.6	IE3
7.5/4 A	400-700/3	Y Δ	14.5	0.83	8.3	7.5	90.4	IE3
9/4 A	400-700/3	Y Δ	18.3	0.78	9.9	9.0	90.8	IE3
11/4 A	400-700/3	Y Δ	21.2	0.82	12.0	11.0	91.4	IE3
15/4 A	400-700/3	Y Δ	28.5	0.82	16.3	15.0	92.2	IE3

Overall dimensions and weight

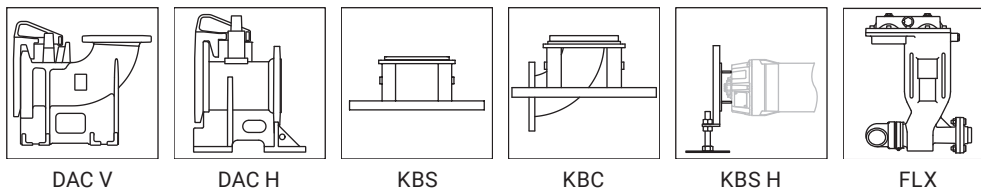


	A mm	B mm	C mm		D mm	E mm	F mm	G mm	H mm	Kg		
			WET	DRY						WET	DRY (*)	
ZUG CP 100F 3/4 AW	602	208	864	-	124	100	407	18	180	8	191	-
ZUG CP 100F 4/4 AW (D)	602	208	964	1040	124	100	407	18	180	8	209	294
ZUG CP 100F 5.5/4 AW (D)	602	208	964	1040	124	100	407	18	180	8	212	298
ZUG CP 100F 7.5/4 AW (D)	602	208	1040	1040	124	100	407	18	180	8	261.3	296.3
ZUG CP 100F 9/4 AW (D)	602	208	1130	1130	124	100	407	18	180	8	282.3	315.3
ZUG CP 100F 11/4 AW (D)	602	208	1181	1181	124	100	413	18	180	8	333.5	380.5
ZUG CP 100F 15/4 AW (D)	602	208	1181	1181	124	100	413	18	180	8	347.2	394.2

(*) Weight for the DRY version includes cooling fluid

W: WET version (submerged operation - S1 duty type) / **D: DRY version** (dry operation - S1 duty type)

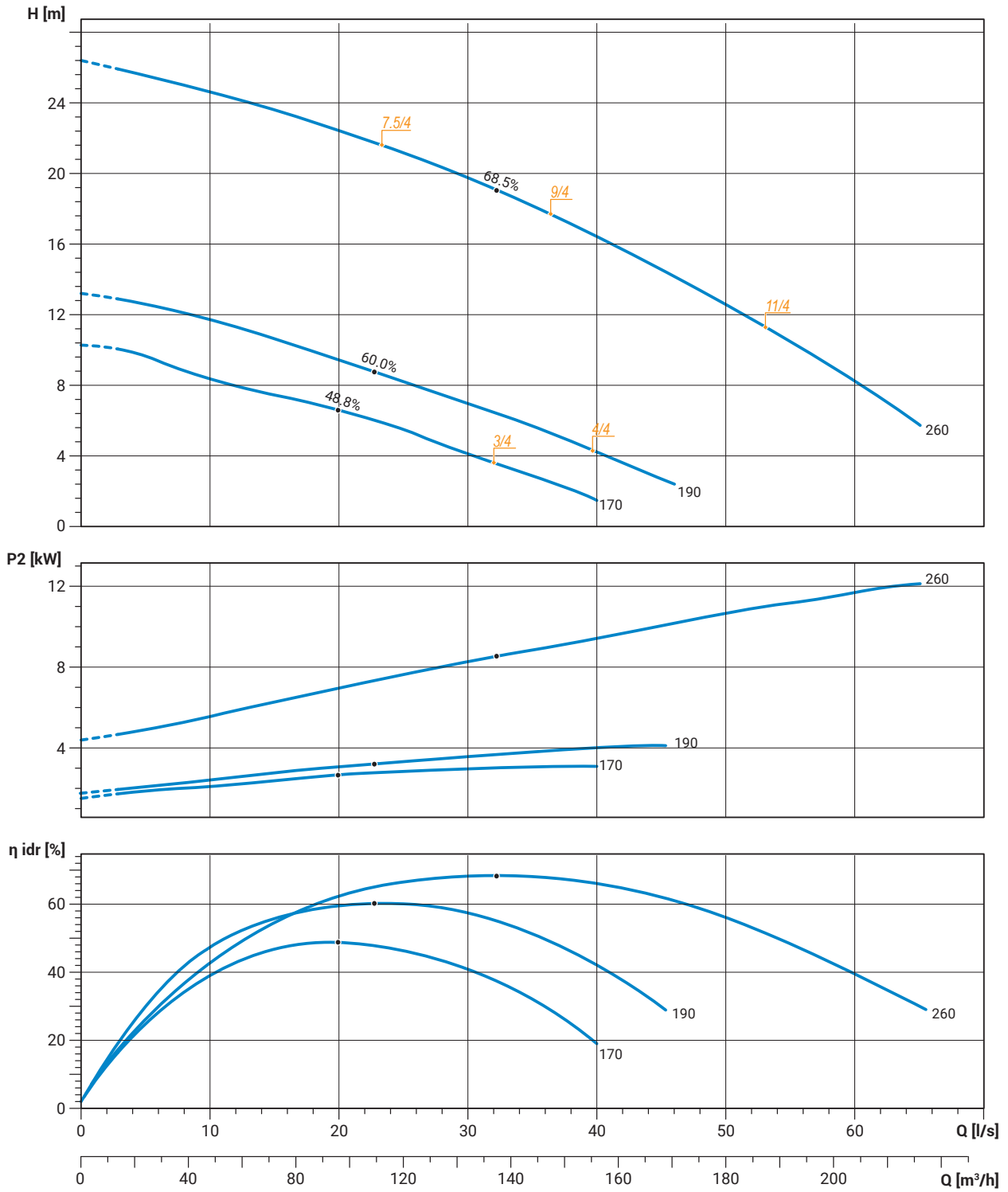
Available accessories



The data provided are not binding. Zenit reserves the right to modify any product without notice.

ZUG CP 100F

Performances



Characteristic curves according to UNI EN ISO 9906

UNIQA series

ZENO Pump Selector, one-click access to the right solution for you

The solution that provides invaluable assistance for the entire Zenit electric pump selection and configuration process, right through to generation of the final quotation. Used to meet the needs of producers and operators, the Zeno Pump Selector is an extremely effective tool for managing all types of businesses.

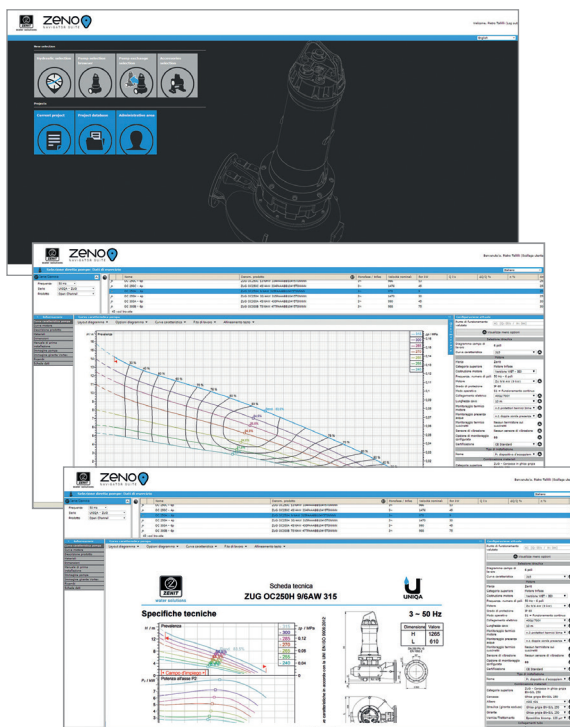
ZENO
NAVIGATOR SUITE



Tre differenti modalità di ricerca

By point, by selecting the precise duty point; **Direct**, by selecting the type of hydraulics; and **Efficient**, by replacing a less efficient electric pump with a Zenit model.

Pumping system design involves selection of the various duty points on the basis of the fluid for handling, through to choice of the hydraulic component configurations. Apart from the choice of exactly the right unit, there are also impressive time savings in the electric pump selection and configuration process.



DIMENSION SPECIFICATION, SELECTION, QUOTATION

Detailed configuration for quick consultation of all the product's specific data

ZENO
NAVIGATOR SUITE
zenonavigator.zenit.com

