

VILLABELLA

Elettropompe autoadescanti per piscina

Self priming pump for swimming pools

Bomba autoaspirante para piscina

Electropompe auto-amorçante pour piscine



MADE IN SPAIN

 **PEDROLLO**[®]
the spring of life



www.motralec.com / service-commercial@motralec.com / 01.39.97.65.10

VILLABELLA

Elettropompe autoadescanti per piscina

Self priming pump for swimming pools

Bomba autoaspirante para piscina

Electropompe auto-amorçante pour piscine



efficiency class

IE3

2.900 r.p.m

MAX
69dB

MADE IN SPAIN

IT

- Doppio attacco, filettatura e raccordi
- Filettatura femmina da 2", raccordi ad incollaggio DN63
- Ampio cestello pre-filtro
- **Verniciatura per cataforesi**
- Base di supporto in alluminio
- Viteria in acciaio inox **AISI 304**
- Motore asincrono a 2900 giri/min. (3450 rpm a 60 Hz)
- Cuscinetti lubrificati a vita
- Protezione IP 55, classe di isolamento F

GB

- Double connection, thread and fittings
- 2" female thread, fittings glue DN63
- Large pre-filter basket
- **Cataphoresis painting**
- Aluminum support base
- Stainless steel screws **AISI 304**
- IE3 Asynchronous motor at 2900 rpm (3450 rpm @ 60 Hz)
- Lubricated bearings for life
- IP 55 Grade, class F insulation

SP

- Doble conexión, rosca y racores
- Rosca hembra 2", racor encolar DN63
- Cesto prefiltro de gran tamaño
- **Pintura por cataforesis**
- Base soporte de aluminio
- Tornillería en acero inoxidable **AISI 304**
- Motor IE3 asíncrono a 2900 rpm (3450 rpm @ 60 Hz)
- Rodamientos lubricados de por vida
- Grado IP 55, aislamiento clase F

FR

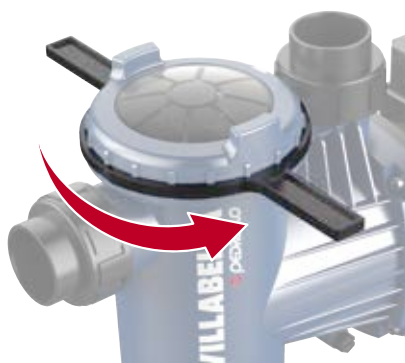
- Raccord double, montage à visser ou à coller
- Taraudage 2", raccords à coller PVC DN63
- Panier préfiltre grande capacité
- **Peinture cataphorèse**
- Embase support en aluminium
- Vis en acier inoxydable **AISI 304**
- Moteur asynchrone 2900 tr/min (3450 rpm @ 60 Hz)
- Roulements lubrifiés à vie
- Isolation IP55, classe F

Chiave apertura coperchio prefiltro inclusa.

Prefilter cover opening key included.

Llave de apertura de la tapa del prefiltro incluida.

Clé d'ouverture du couvercle du préfiltre fournie



✓ **Polipropilene con fibra di vetro**
Polypropylene with fiberglass
Polipropileno con fibra de vidrio
Polypropylène avec fibre de verre

✓ **Albero in acciaio inox AISI 316**
AISI 316 stainless steel shaft
Eje en acero inoxidable AISI 316
Arbre en acier inoxydable AISI 316

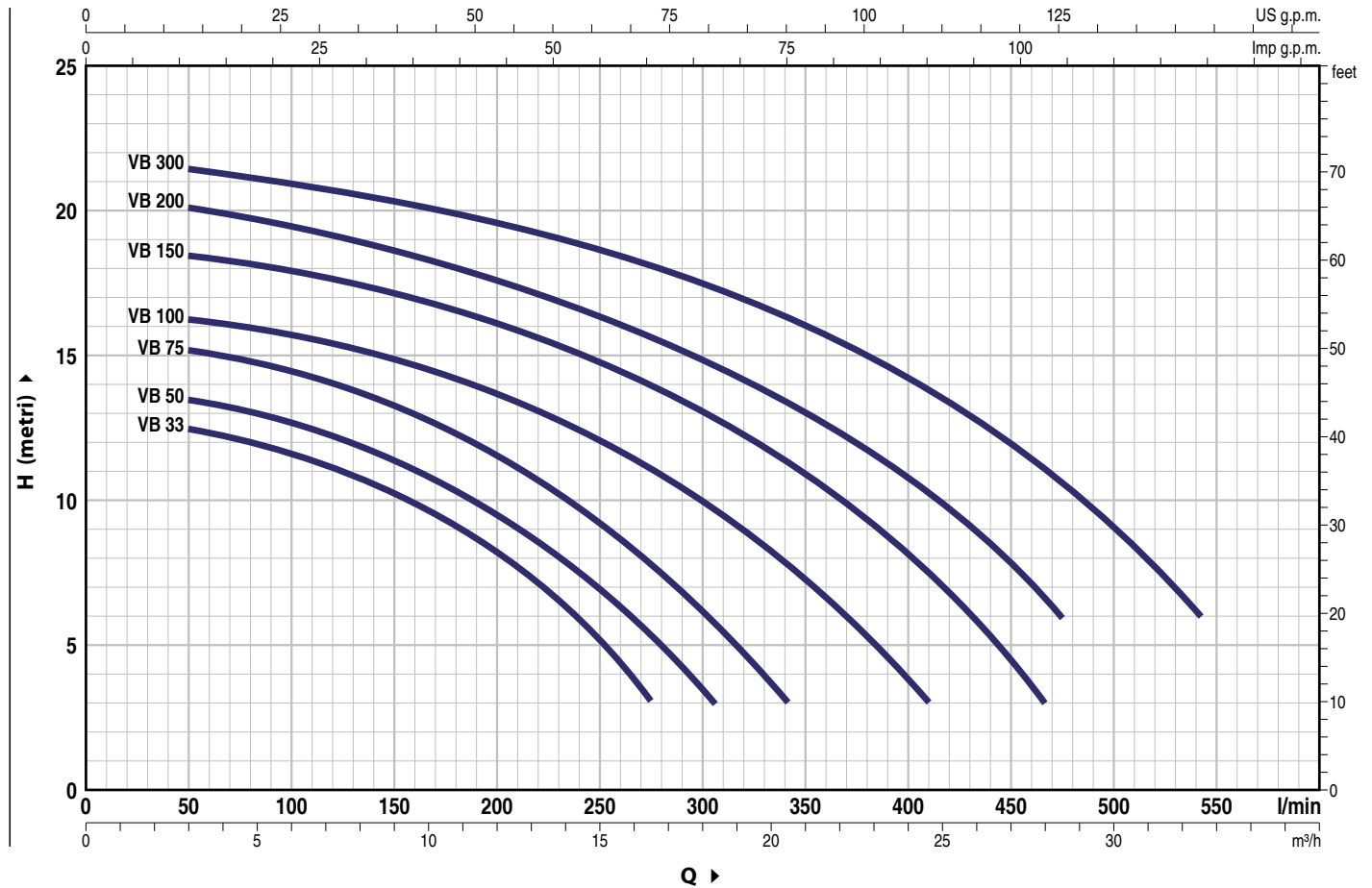
✓ **Grante in Noryl**
Impeller in Noryl
Rodete en Noryl
Turbine en Noryl

✓ **Tenuta meccanica in acciaio inox AISI 316**
Mechanical seal in stainless steel AISI 316
Sello mecánico en acero inoxidable AISI 316
Garniture mécanique en acier inoxydable AISI 316

✓ **Coperchio del prefiltro in policarbonato**
Polycarbonate prefilter cap
Tapa prefiltro en policarbonato
Couvercle de préfiltre en polycarbonate

CURVE E DATI DI PRESTAZIONE / CHARACTERISTIC CURVES AND PERFORMANCE DATA

50 Hz HS= 0 m



MODELLO / MODEL		POWER (P ₂)			Q	m ³ /h											
1~	3~	kW	HP	▲		0	3	6	9	12	15	18	21	24	27	30	
						0	50	100	150	200	250	300	350	400	450	500	
VILLABELLA 33 M	VILLABELLA 33 T	0.25	0.33	IE3	H m	13.2	12.5	11.5	10.2	8.3	5						
VILLABELLA 50 M	VILLABELLA 50 T	0.37	0.50			13.9	13.5	12.7	11.3	9.6	6.8	3.5					
VILLABELLA 75 M	VILLABELLA 75 T	0.55	0.75			15.4	15	14.3	13.2	11.6	9.3	6.2					
VILLABELLA 100 M	VILLABELLA 100 T	0.75	1			16.5	16.3	15.7	14.8	13.6	12	9.9	7	3.7			
VILLABELLA 150 M	VILLABELLA 150 T	1.1	1.5			18.7	18.5	18	17.2	16.1	14.7	13	10.7	8.1	4.3		
VILLABELLA 200 M	VILLABELLA 200 T	1.5	2			20.6	20.1	19.5	18.6	17.7	16.5	15	13	10.6	7.6		
VILLABELLA 300 M	VILLABELLA 300 T	2.2	3			22	21.8	21.2	20.5	19.7	18.8	17.5	16	14.2	12	9	

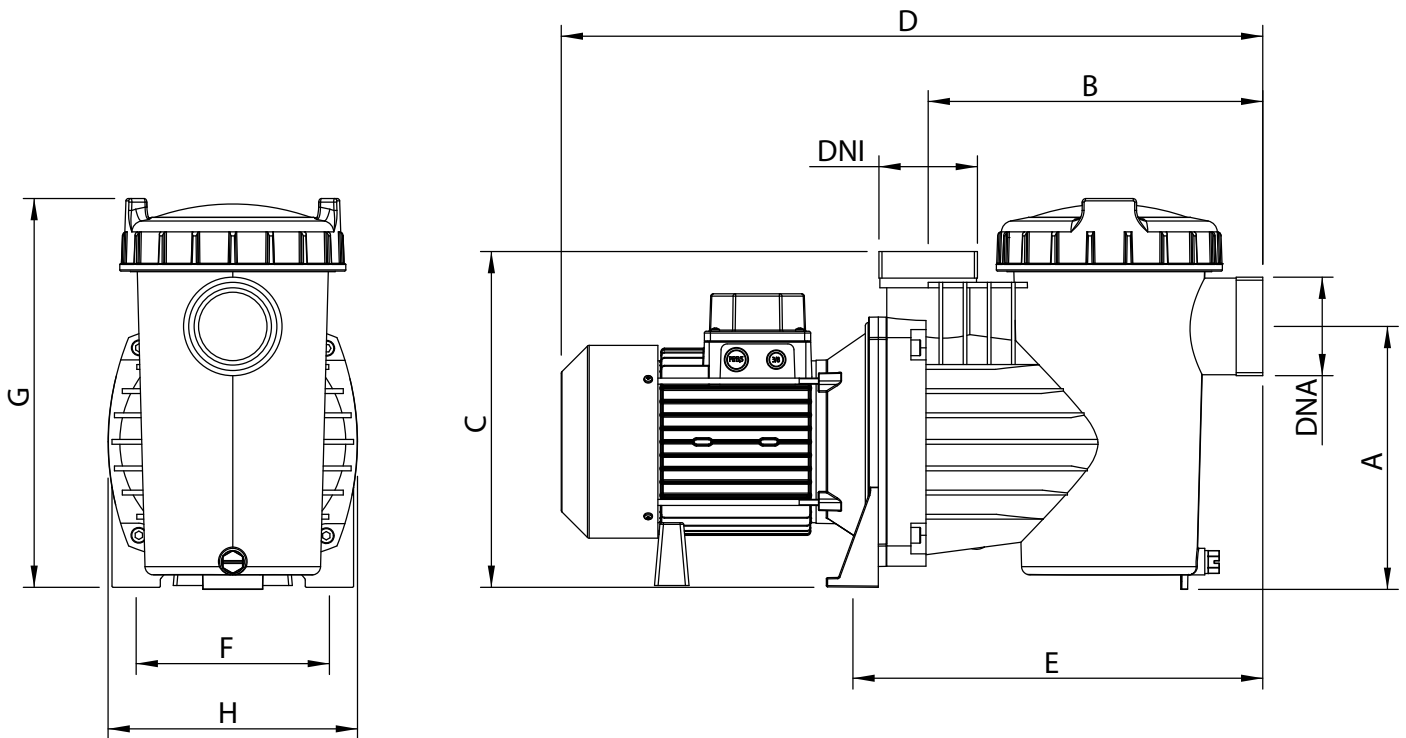
Q = Portata / Flow rate H = Prevalenza manometrica totale/ Total manometric head HS = Altezza di aspirazione / Suction height

Tolleranza delle curve di prestazione secondo EN ISO 9906 Grado 3B. / Tolerance of characteristic curves in compliance with EN ISO 9906 Grade 3B.

▲ Classe di rendimento del motore trifase (IEC 60034-30-1) / ▲ Three-phase motor efficiency class (IEC 60034-30-1)

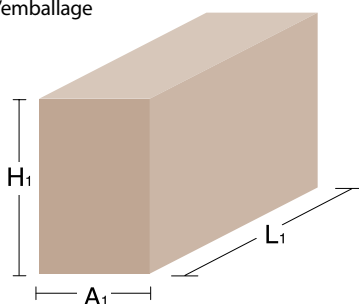
VILLABELLA

DIMENSIONI E PESI / DIMENSIONS AND WEIGHT



Modello/Model	A	B	C	D	E	F	G	H	DNA/DNI	Kg.		
VILLABELLA 33	216	277	278	550	361	160	315	206	2"	11.7		
VILLABELLA 50												
VILLABELLA 75												
VILLABELLA 100				580							12.9	
VILLABELLA 150												
VILLABELLA 200				630								13.9
VILLABELLA 300												
										17.4		

Dati di imballaggio
Packaging data
Datos embalage
Données d'emballage



Modello/Model	L1	A1	H1	Kg.
VILLABELLA 33	630	230	360	12.7
VILLABELLA 50				
VILLABELLA 75				
VILLABELLA 100				
VILLABELLA 150				
VILLABELLA 200				
VILLABELLA 300				18.4