



General service centrifugal pump

Line :	Mega
Version :	Bloc

1. Application

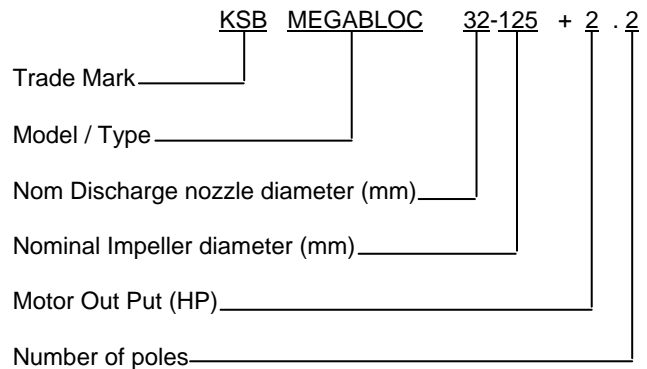
The KSB Megabloc pumps are suitable for pumping clean or turbid liquids and mainly used in the following applications:

- Water supplies for industries
- Irrigation
- Circulation of condensate
- Building Trade Centers
- Air conditioning
- Cooling services

2. Design

Horizontal, single stage, end suction with top centerline discharge, close coupled to electric motor.

3. Designation



4. Operating data

- | | |
|----------------------------|---------------------------------------|
| Size | - 1" to 6" (DN 25 to 150) |
| Flow | - to 2200 GPM (500 m ³ /h) |
| Head | - to 426 ft (130m) |
| Maximum temperature | - 194°F (90°C) |
| Maximum suction pressure | - 43 psi (3 bar) |
| Maximum discharge pressure | - 190 psi (13 bar) |
| Speed | - to 3600 rpm |

5. Selection Charts 60 Hz

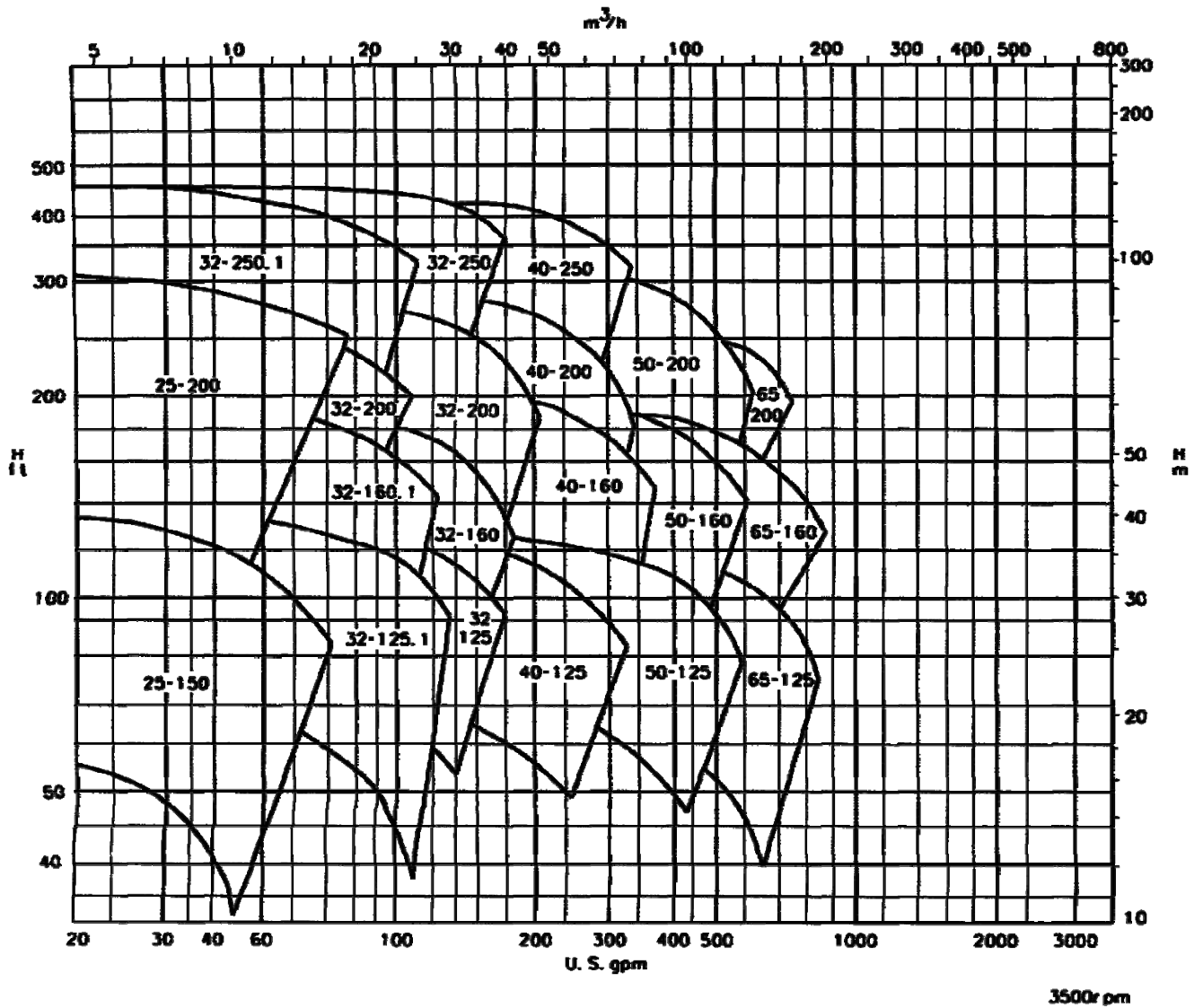


Fig 1

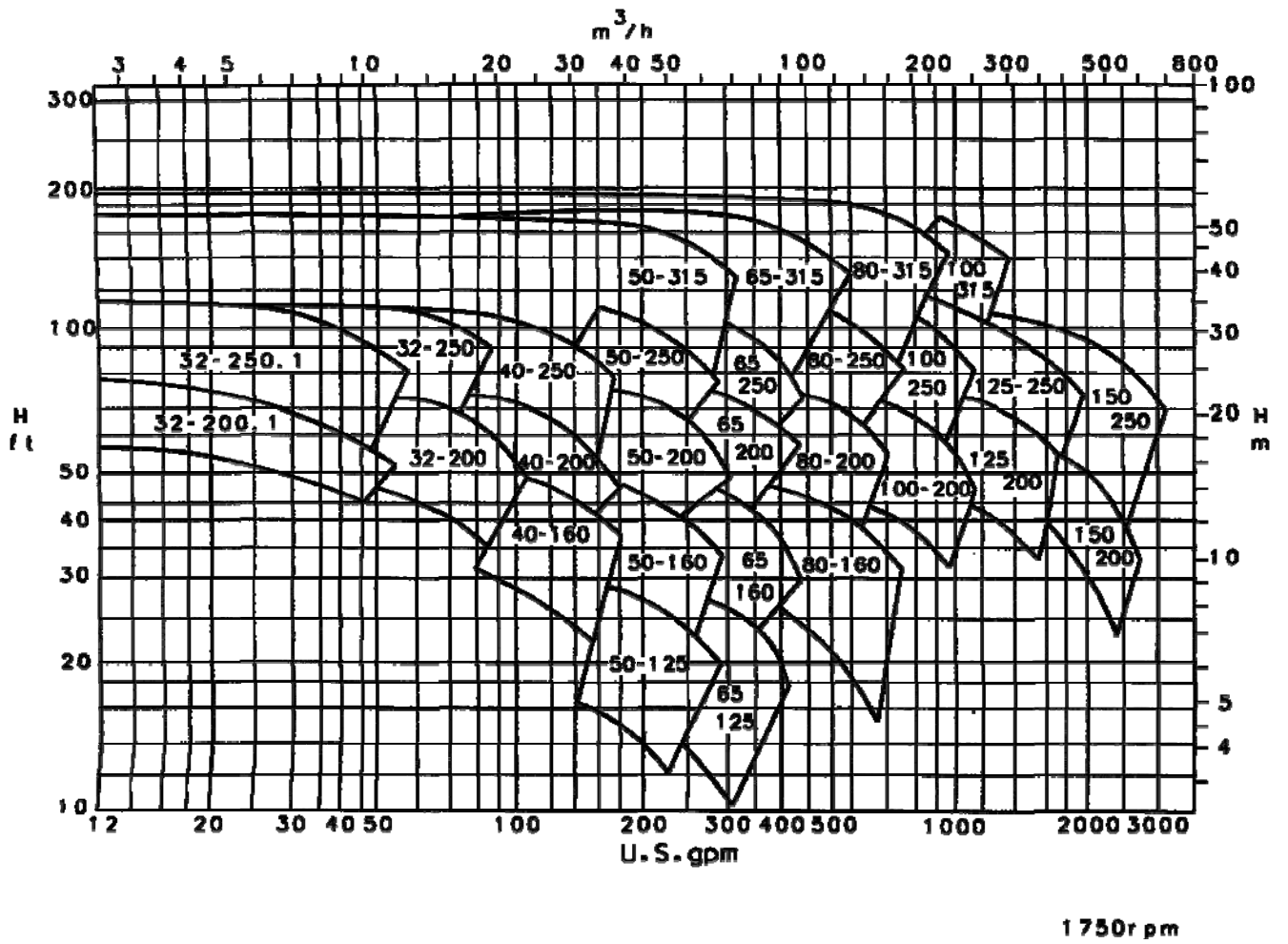


Figure 2

6. Technical data

6.1. Casing

Single stage casing with standard vertical discharge. Suction and discharge are flanged (ANSI B16. 1 125 # FF). See note 1). The casing is fixed to the discharge cover / adapter in such a way to assure their perfect alignment.

Radial split casing, "back-pull-out" design that allows the disassembly of the pump without dismantling the suction and discharge pipelines.

Standard material: Cast iron

Optional material: Stainless steel

6.2. Impeller

Single suction closed, radial flow impeller directly driven by the motor shaft. Impeller is just one piece casting, keyed and bolted to motor shaft. Its diameter must be selected through the performance curves (see item 10).

Standard material: Cast iron

Optional material: Stainless steel

6.3. Adapter / Discharge cover

It assures the alignment of the pump casing to motor flange.

Standard material: Cast iron

Optional material: Stainless steel

6.4. Rotation direction

Clockwise, seen from motor end.

6.5. Mechanical seal

Standard for water up to 194°F (90°C) as well as for most hydrocarbons. For others temperatures and liquids, please consult KSB.

Standard materials: carbon / stainless steel or ceramic / stainless steel

Optional material: tungsten carbide / tungsten carbide

6.6. Shaft protecting sleeve

Extended, covering the shaft sealing area, preventing the contact of the pumped liquid with the shaft.

Standard material: Stainless steel

Optional material: AISI 316

6.7. Electric motor

Supplied as part of the assembly.

Nema MG 1Motors with JM shaft end. (See note 2). Motor efficiencies according to Epact. Ball bearings are dimensioned to support the axial and radial loads acting on the motors.

Motor pump set is supported by motor feet.

Remark: In case of altitude higher than 3,280 ft (1000 m) and / or temperature over 104°F (40°C), please consult KSB.

Protection system:	TEFC/ IP55
Insulation glass:	F
Service factor:	1.25
Speed:	3600 rpm, 1800 rpm
Phases / frequency:	3/60 HZ
Voltage:	208 - 230 / 460 V (also available in 575V for Canada)

1) ANSI B16.1 250 # FF for sizes 40-250; 50-250; 50-315; 65-250; 80-250.

2) JP shaft end for sizes 125-200 and 150-200 (25 and 30 Hp).

7. Section drawing / Part list

7.1 KSB Megabloc – Flanged – 2 pole motors up to 15 HP, and 4 pole motors up to 60 HP

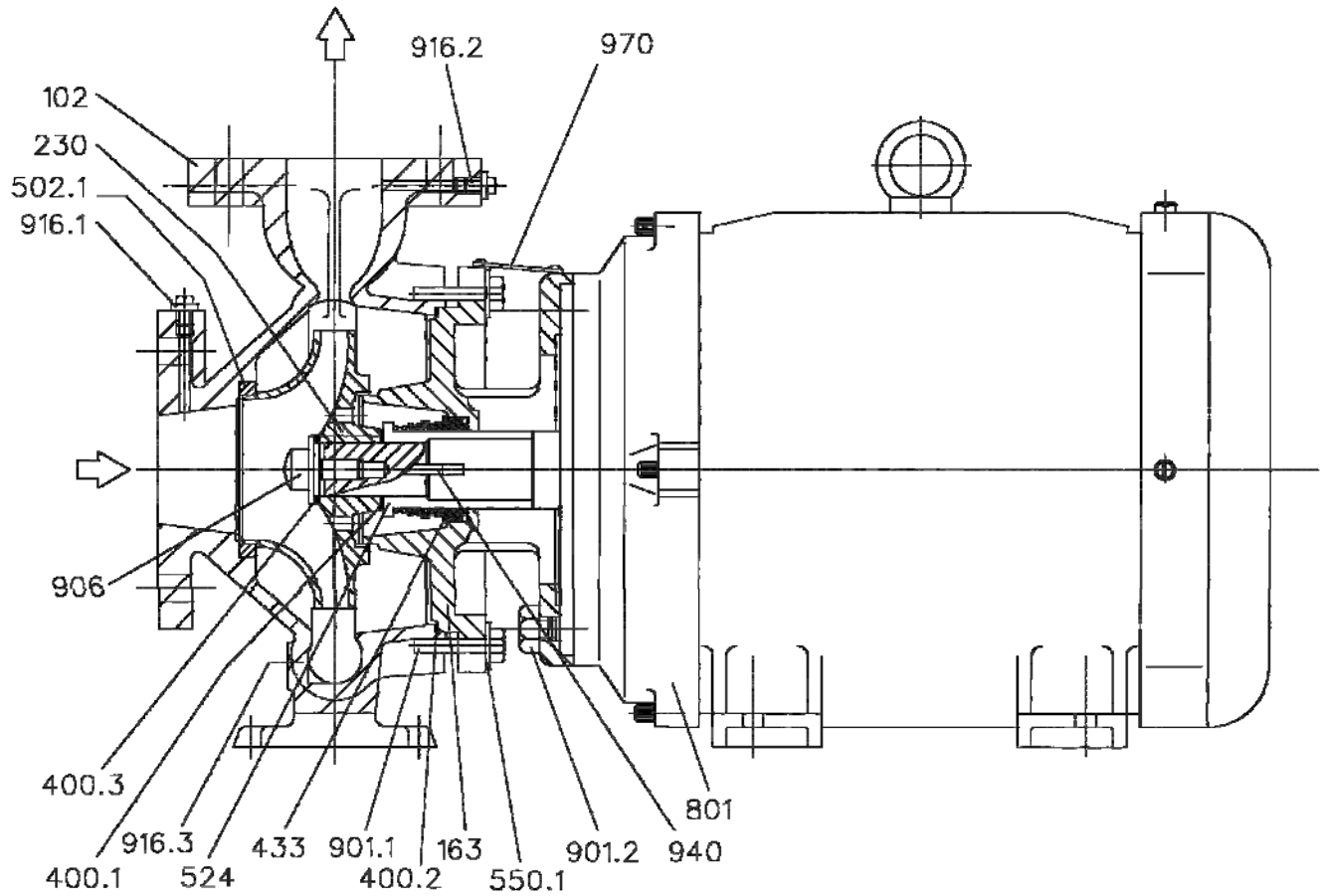


Fig. 3

7.2. KSB Megabloc - Flanged – 2 pole motors above 15 HP

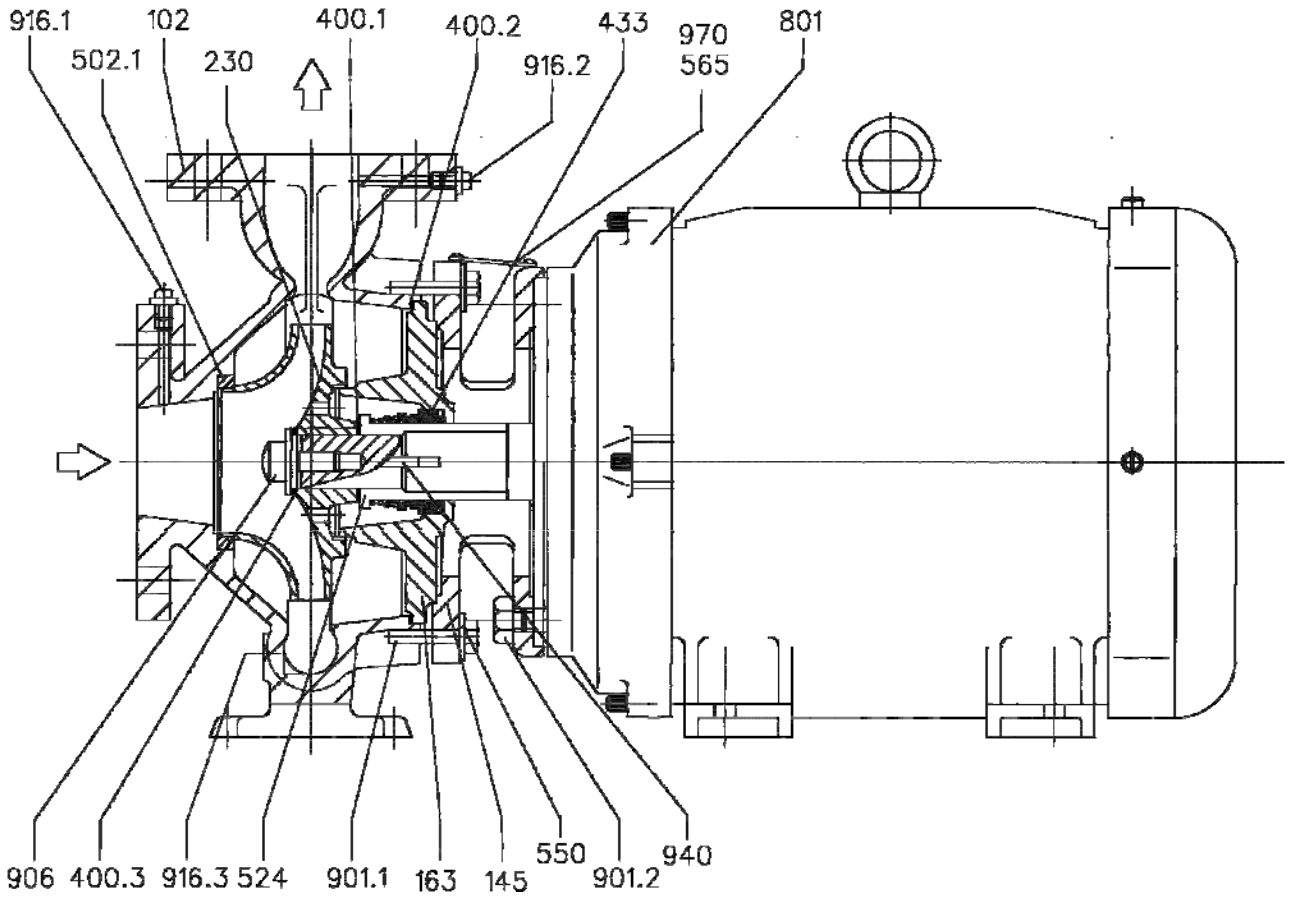


Fig. 4

7.3. Parts and Materials list

Designation	Part n°	Qty.	Material
Volute Casing	102	1	A48 CL30
Adapter ²⁾	145	1	A48 CL30
Discharge Cover	163	1	A48 CL30
Impeller	230	1	A48 CL30
Flat Gasket	400.1	1	Hydraulic Gasket
Flat Gasket	400.2	1	Hydraulic Gasket
Flat Gasket	400.3	1	Hydraulic Gasket
Mechanical Seal	433	1	Steel / Carbon
Casing Wear Ring	502.1	1	A48 CL30
Shaft Protecting Sleeve	524	1	AISI 316
Washer	554	6	SAE 1020
Flanged Motor ¹⁾	801	1	-
Hexagon Head Bolt	901.1	6	SAE 1020 / 5.6
Hexagon Head Bolt	901.2	4	SAE 1020 / 5.6
Threaded Plug	916	4	A197
Impeller Screw	906	1	SAE1045/8.8
Key	940	1	SAE 1045
Nameplate	970	1	AISI 304

Table 1

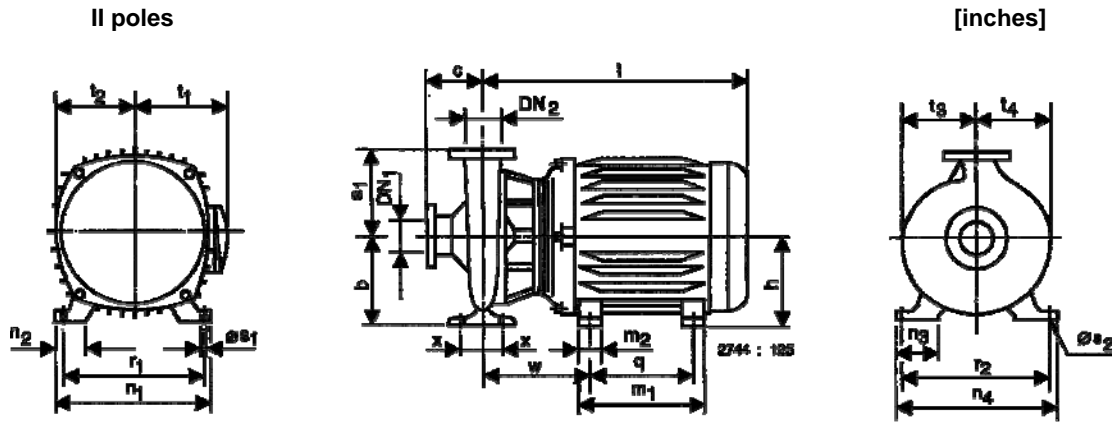
Notes:

1) Standard NEMA motors with JM / JP shaft end.

2) For KSB Megabloc with motors above 15 HP II poles only.

8. Dimensions chart

8.1. 2 pole motors / 60 Hz



32-200	7.5	2"	1 1/4"	7 1/16	6 5/16	3 1/8	4 1/2	17	6 15/16	1 15/16	8 11/16	1 7/8	5 1/2	7 1/2	3/8	7 1/16	4 3/8	7	7 1/2	1 15/16	9 7/16	1 3/8	9/16	5 5/16	4 15/16
	10						5 1/4	20 3/16	8 7/8	2 3/16	9 3/4	2	7	8 1/2		8 1/16	5 5/16	7 3/4							
	15						6 1/4	26 1/16	10	2 9/16	12 1/8	2 11/16	8 1/4	10		1/2	9 3/4	6 1/8							
32-250.1 (1)	20	2"	1 1/4"	8 7/8	7 1/16	3 15/16	5 1/4	20 3/16	8 7/8	2 3/16	9 3/4	2	7	8 1/2	3/8	8 1/16	5 5/16	7 3/4	9 13/16	2 9/16	12 5/8	*****	9/16	6 11/16	6 5/16
	15						6 1/4	26 1/16	10	2 9/16	12 1/8	2 11/16	8 1/4	10	1/2	9 3/4	6 1/8	9 1/2							
	20						7	18 11/16	13 1/16	2 15/16	13 3/4	3 1/8	11	11	1/2	10 9/16	7 1/16	10							
32-250 (1)	25	2"	1 1/4"	8 7/8	7 1/16	3 15/16	6 1/4	26 1/16	10	2 9/16	12 1/8	2 11/16	8 1/4	10	1/2	9 3/4	6 1/8	9 1/2	9 13/16	2 9/16	12 5/8	*****	9/16	6 13/16	6 3/8
	30						7	18 11/16	13 1/16	2 15/16	13 3/4	3 1/8	11	11	1/2	10 9/16	7 1/16	10							
	40						8	28 1/8	13 1/16	3 3/8	15 11/16	3 1/4	10 1/2	12 1/2	11/16	11 5/8	7 13/16	10 1/2							
40-125	5	2 1/2"	1 1/2"	5 1/2	4 7/16	3 1/8	4 1/2	17	6 15/16	1 15/16	8 11/16	1 7/8	5 1/2	7 1/2	3/8	7 1/16	4 3/8	7	6 5/16	1 15/16	8 1/4	1 3/8	9/16	4 5/16	3 11/16
	7.5						5 1/4	20 3/16	8 7/8	2 3/16	9 3/4	2	7	8 1/2		8 1/16	5 5/16	7 3/4							
	10						6 1/4	26 1/16	10	2 9/16	12 1/8	2 11/16	8 1/4	10		1/2	9 3/4	6 1/8							
40-160	10	2 1/2"	1 1/2"	6 5/16	5 3/16	3 1/8	5 1/4	20 3/16	8 7/8	2 3/16	9 3/4	2	7	8 1/2	3/8	8 1/16	5 5/16	7 3/4	7 1/2	1 15/16	9 7/16	1 3/8	9/16	5	4 7/16
	15						6 1/4	26 1/16	10	2 9/16	12 1/8	2 11/16	8 1/4	10	1/2	9 3/4	6 1/8	9 1/2							
	20						7	18 11/16	13 1/16	2 15/16	13 3/4	3 1/8	11	11	1/2	10 9/16	7 1/16	10							
40-200	25	2 1/2"	1 1/2"	7 1/16	6 5/16	3 15/16	6 1/4	26 1/16	10	2 9/16	12 1/8	2 11/16	8 1/4	10	1/2	9 3/4	6 1/8	9 1/2	8 3/8	1 15/16	10 7/16	1 3/8	9/16	5 13/16	5 1/4
	30						7	28 1/16	13 1/16	2 15/16	13 3/4	3 1/8	11	11	1/2	10 9/16	7 1/16	10							
	40						8	28 1/8	13 1/16	3 3/8	15 11/16	3 1/4	10 1/2	12 1/2	11/16	11 5/8	7 13/16	10 1/2							
40-250 (1)	50	2 1/2"	1 1/2"	8 7/8	7 1/16	3 15/16	7	28 1/16	13 1/16	2 15/16	13 3/4	3 1/8	11	11	1/2	10 9/16	7 1/16	10	9 13/16	2 9/16	12 5/8	*****	9/16	6 3/4	6 5/16
	30						7	28 3/16	13 1/16	2 15/16	13 3/4	3 1/8	11	11	1/2	10 9/16	7 1/16	10							
	40						8	28 1/8	13 1/16	3 3/8	15 11/16	3 1/4	10 1/2	12 1/2	11/16	11 5/8	7 13/16	10 1/2							
50-125	10	3"	2"	6 5/16	5 3/16	3 15/16	5 1/4	20 3/16	8 7/8	2 3/16	9 3/4	2	7	8 1/2	3/8	8 1/16	5 5/16	7 3/4	7 1/2	1 15/16	9 7/16	1 3/8	9/16	4 13/16	4 7/16
	15						5 1/4	20 15/16	8 7/8	2 3/16	9 3/4	2	7	8 1/2	3/8	8 1/16	5 5/16	7 3/4							
	20						6 1/4	26 1/16	10	2 9/16	12 1/8	2 11/16	8 1/4	10	1/2	9 3/4	6 1/8	9 1/2							
50-160	25	3"	2"	7 1/16	6 5/16	3 15/16	6 1/4	26 1/16	10	2 9/16	12 1/8	2 11/16	8 1/4	10	1/2	9 3/4	6 1/8	9 1/2	8 3/8	1 15/16	10 7/16	1 3/8	9/16	5 5/8	4 13/16
	30						7	28 3/16	13 1/16	2 15/16	13 3/4	3 1/8	11	11	1/2	10 9/16	7 1/16	10							
	40						8	28 1/8	13 1/16	3 3/8	15 11/16	3 1/4	10 1/2	12 1/2	11/16	11 5/8	7 13/16	10 1/2							
50-200	25	3"	2"	7 7/8	6 5/16	3 15/16	6 1/4	26 1/16	11 3/4	2 9/16	12 1/8	2 11/16	10	10	1/2	9 3/4	6 1/8	9 1/2	8 3/8	1 15/16	10 7/16	1 3/8	9/16	6 5/16	5 9/16
	30						7	28 3/16	13 1/16	2 15/16	13 3/4	3 1/8	11	11	1/2	10 9/16	7 1/16	10							
	40						8	28 1/8	13 1/16	3 3/8	15 11/16	3 1/4	10 1/2	12 1/2	11/16	11 5/8	7 13/16	10 1/2							
65-125	15	4"	2 1/2"	7 1/16	6 5/16	3 15/16	5 1/4	22 7/8	8 7/8	2 3/16	9 3/4	2	7	8 1/2	3/8	8 1/16	5 5/16	7 3/4	8 3/8	2 9/16	11	*****	9/16	5 11/16	4 1/4
	20						6 1/4	26 1/16	10	2 9/16	12 1/8	2 11/16	8 1/4	10	1/2	9 3/4	6 1/8	9 1/2							
	20						6 1/4	26 1/8	10	2 9/16	12 1/8	2 11/16	8 1/4	10	1/2	9 3/4	6 1/8	9 1/2							
65-160	25	4"	2 1/2"	7 7/8	6 5/16	3 15/16	6 1/4	26 1/8	11 3/4	2 9/16	12 1/8	2 11/16	10	10	1/2	9 3/4	6 1/8	9 1/2	8 3/8	2 9/16	11	*****	9/16	6 1/16	4 15/16
	30						7	27 3/4	13 1/16	2 15/16	13 3/4	3 1/8	11	11	1/2	10 9/16	7 1/16	10							
	40						8	28 1/8	13 1/16	3 3/8	15 11/16	3 1/4	10 1/2	12 1/2	11/16	11 5/8	7 13/16	10 1/2							
65-200	30	4"	2 1/2"	8 7/8	7 1/16	3 15/16	7	28 3/16	13 1/16	2 15/16	13 3/4	3 1/8	11	11	1/2	10 9/16	7 1/16	9 1/2	9 13/16	2 9/16	12 5/8	*****	9/16	6 13/16	5 7/8
	40						8	28 1/8	13 1/16	2 15/16	13 3/4	3 1/8	11	11	1/2	10 9/16	7 1/16	9 1/2							
	50						8	29 5/8	14 9/16	3 3/8	15 11/16	3 1/4	10 1/2	12 1/2	11/16	11 5/8	7 13/16	10 1/2							

9. Megabloc quick selection - 2 pole motors - 60 Hz - 3500 rpm

Flow (GPM) (m ³ /h)	Head (ft) (m)	49		66		82		98		115		131		148		164		180		197		213	
		15	20	25	30	35	40	45	50	55	60	65											
18	4	25-150																					
		1	3.82	1	3.98	2	4.45	2	4.88	3	5.12	3	5.55	5	6.26	5	6.50	5	6.50	7.5	7.05	7.5	7.24
26	6	25-150																					
		1	3.82	1.5	4.13	2	4.57	2	4.88	3	5.20	3	5.55	5	6.26	7.5	6.54	7.5	6.81	7.5	7.13	10	7.28
35	8	25-150																					
		1	3.98	1.5	4.37	2	4.65	3	5.04	3	5.28	5	6.02	5	6.34	7.5	6.61	7.5	6.93	7.5	7.17	10	7.32
44	10	32-125.1																					
		1.5	4.3/3.5	2	4.37	2	4.88	3	5.16	3	5.55	5	5.79	5	6.42	7.5	6.42	7.5	7.05	7.5	7.20	10	7.40
53	12	32-125.1																					
		1.5	4.3/3.7	2	4.41	3	4.88	3	5.24	5	5.51	5	5.87	5	6.22	7.5	6.46	7.5	6.73	10	7.28	10	7.48
62	14	32-125.1																					
		2	4.3/3.9	3	4.49	3	4.92	3	5.28	5	5.55	5	5.91	7.5	6.26	7.5	6.50	7.5	6.77	10	7.36	10	7.56
70	16	32-125.1																					
		2	4.3/4.0	3	4.53	3	4.96	5	5.31	5	5.63	7.5	5.94	7.5	6.30	7.5	6.54	7.5	6.81	10	7.44	10	7.60
79	18	32-125.1																					
		2	4.33	3	4.65	3	5.04	5	5.35	5	5.67	7.5	6.02	7.5	6.30	7.5	6.61	7.5	6.85	10	7.52	15	7.40
88	20	32-125.1																					
				3	4.76	5	5.16	5	5.47	5	5.31	7.5	6.14	7.5	6.38	7.5	6.65	10	7.01	15	7.20	15	7.40
97	22	32-125																					
				5	4.33	5	4.76	5	5.08	5	5.35	7.5	6.22	7.5	6.50	10	6.81	10	7.01	15	7.20	15	7.44
106	24	32-125																					
				5	4.37	5	4.76	5	5.12	7.5	5.39	7.5	6.30	7.5	6.54	10	6.89	15	7.09	15	7.24	15	7.44
114	26	32-125																					
				5	4.45	5	4.80	5	5.16	7.5	5.39	7.5	6.42	10	6.69	15	7.01	15	7.13	15	7.32	15	7.52
123	28	32-125																					
				5	4.53	5	4.88	7.5	5.20	7.5	5.47	10	6.50	10	6.77	15	7.01	15	7.20	15	7.40	15	7.56
132	30	32-125																					
				5	4.61	5	4.92	7.5	5.24	7.5	6.30	10	6.61	10	6.93	15	7.09	15	7.32	15	7.44	15	7.64
154	35	40-125																					
				5	4.37	5	4.72	7.5	5.04	10	5.39	10	5.79	10	5.98	15	6.30	15	6.50	15	6.73	20	7.40
176	40	40-125																					
				5	4.45	5	4.76	7.5	5.12	10	5.43	10	5.79	15	6.06	15	6.38	15	6.54	15	6.77	20	7.48
198	45	40-125																					
				7.5	4.53	7.5	4.84	10	5.16	10	5.51	15	5.87	15	6.18	15	6.42	15	6.61	20	7.40	20	7.60
220	50	40-125																					
				7.5	4.65	7.5	4.92	10	5.24	15	5.67	15	5.94	15	6.26	15	6.46	20	7.32	20	7.48	25	7.68
264	60	50-125																					
				10	4.53	10	4.88	15	5.51	15	5.87	15	6.14	15	6.42	20	6.30	20	6.57	20	6.85	25	7.52
308	70	50-125																					
				10	4.61	10	4.96	15	5.28	15	5.59	20	5.91	20	6.14	20	6.42	20	6.69	25	7.36	25	7.56
352	80	50-125																					
				10	4.72	15	5.04	15	5.35	15	5.75	20	6.02	20	6.30	25	6.50	25	6.77	30	7.52	30	7.64
396	90	50-125																					
				10	4.80	15	5.12	15	5.47	20	5.55	20	6.14	20	6.42	25	6.65	30	6.65	30	7.17	40	7.36
440	100	65-125																					
				15	4.72	15	5.08	15	5.51	20	5.55	20	6.30	15	6.54	25	6.77	30	6.69	40	7.20	40	7.40
484	110	65-125																					
				15	4.76	15	5.12	20	5.39	20	5.8/5.7	25	6.06	25	6.38	30	6.61	40	6.73	40	7.28	40	7.48
528	120	65-125																					
				15	4.80	15	5.16	20	5.43	25	5.9/5.8	25	6.18	30	6.42	30	6.65	40	6.77	40	7.36	40	7.56
572	130	65-125																					
				15	4.92	20	5.20	20	5.47			25	6.26	30	6.54	40	6.65			40	7.48	50	7.68
616	140	65-125																					
				15	5.04	20	5.28	20	5.51			30	6.38	40	6.61	40	6.73					50	7.80
660	150	65-125																					
				20	5.39	20	5.55					40	6.65										

A	B	C
---	---	---

A - Pump Size
B - Motor Power (HP)
C - Nominal Impeller Diameter (inch)

Megabloc quick selection - 2 pole motors - 60 Hz - 3500 rpm

Head Flow	(ft) (m)	230	246	262	279	295	312	328	361	394	427	
		70	75	80	85	90	95	100	110	120	130	
(GPM)	(m ³ /h)											
18	4	25-200	25-200	25-200	25-200	25-200						
		7.5 7.48	10 7.68	10 7.80	10 7.95	10 8.07						
26	6	25-200	25-200	25-200	25-200	25-200						
		10 7.44	10 7.68	10 7.83	10 7.95	10 8.07						
35	8	25-200	25-200	25-200	32-200	25-200	32-250.1	32-250.1	32-250.1	32-250.1	32-250.1	32-250.1
		10 7.56	10 7.72	10 7.83	15 8.15	10 8.15	15 8.70	20 8.90	20 9.25	20 9.57	25 10.0	
44	10	25-200	25-200	32-200.1	32-200	32-250.1	32-250.1	32-250.1	32-250.1	32-250.1	32-250.1	32-250.1
		10 7.68	10 7.80	10 7.99	15 8.15	15 8.50	20 8.74	20 8.94	20 9.25	20 9.61	25 10.0	
53	12	25-200	32-200.1	32-200	32-200	32-250.1	32-250.1	32-250.1	32-250.1	32-250.1	32-250.1	32-250.1
		10 7.68	10 7.80	15 7.99	15 8.15	15 8.62	20 8.78	20 8.98	20 9.29	20 9.65	25 10.04	
62	14	32-200.1	32-200	32-200	32-200	32-250.1	32-250.1	32-250.1	32-250.1	32-250.1	32-250.1	32-250.1
		10 7.72	15 7.76	15 7.99	15 8.15	20 8.66	20 8.82	20 9.02	20 9.33	25 9.72	25 10.08	
70	16	32-200	32-200	32-200	32-200	32-250.1	32-250.1	32-250.1	32-250.1	32-250.1	32-250.1	32-250.1
		15 7.56	15 7.76	15 7.99	15 8.19	20 8.74	20 8.94	20 9.06	25 9.37	25 9.76	25 10.16	
79	18	32-200	32-200	32-200	32-200	32-250.1	32-250.1	32-250.1	32-250.1	32-250.1	32-250.1	32-250.1
		15 7.56	15 7.80	15 8.03	15 8.23	20 8.82	20 9.02	25 9.13	25 9.49	25 9.84	30 10.24	
88	20	32-200	32-200	32-200	32-200	32-250.1	32-250.1	32-250.1	32-250.1	32-250.1	32-250	32-250
		15 7.56	15 7.91	15 8.07	15 8.23	20 8.94	25 9.09	25 9.25	25 9.57	30 9.96	30 10.04	
97	22	32-200	32-200	32-200	32-200	32-250	32-250	32-250	32-250	32-250	32-250	32-250
		15 7.64	15 7.91	15 8.07	15 8.23	20 8.66	20 8.86	25 9.06	25 9.37	30 9.72	40 10.12	
106	24	32-200	32-200	32-200	32-200	32-250	32-250	32-250	32-250	32-250	32-250	32-250
		15 7.72	15 7.91	15 8.07	20 8.23	20 8.70	25 8.90	25 9.06	25 9.37	30 9.80	40 10.12	
114	26	32-200	32-200	32-200	40-200	32-250	32-250	32-250	32-250	32-250	32-250	32-250
		15 7.72	15 7.95	20 8.11	20 8.15	25 8.74	25 8.94	25 9.09	30 9.49	30 9.80	40 10.20	
123	28	32-200	32-200	32-200	40-200	32-250	32-250	32-250	32-250	32-250	32-250	32-250
		15 7.80	20 8.03	20 8.15	20 8.15	25 8.82	25 9.06	25 9.17	30 9.53	30 9.88	40 10.24	
132	30	32-200	32-200	32-200	40-200	32-250	32-250	32-250	32-250	32-250	32-250	40-250
		20 7.83	20 8.07	20 8.15	20 8.15	25 8.94	25 9.09	25 9.25	30 9.61	40 9.92	40 10.24	
154	35	32-200	32-200	40-200	40-200	40-250	40-250	40-250	40-250	40-250	40-250	40-250
		20 8.07	20 8.15	25 7.95	20 8.15	25 8.78	30 8.98	30 9.25	40 9.61	40 9.96	40 10.24	
176	40	40-200	40-200	40-200	40-200	40-250	40-250	40-250	40-250	40-250	40-250	
		20 7.68	20 7.76	25 7.99	25 8.23	30 8.94	30 9.17	40 9.37	40 9.69	40 10.0		
198	45	40-200	40-200	40-200	50-200	40-250	40-250	40-250	40-250	40-250	40-250	
		25 7.72	25 7.87	25 8.07	30 8.27	30 9.02	40 9.25	40 9.45	40 9.84	50 10.08		
220	50	40-200	40-200	40-200	50-200	40-250	40-250	40-250	40-250	40-250	40-250	
		25 7.80	25 7.99	25 8.15	30 8.31	40 9.21	40 9.41	40 9.61	40 9.92	50 10.20		
264	60	50-200	50-200	50-200	50-200	40-250	40-250	40-250	40-250			
		25 7.64	30 7.87	30 8.19	40 8.39	40 9.53	40 9.65	50 9.88	50 10.0			
308	70	50-200	50-200	50-200	50-200	50-200						
		30 7.68	40 8.03	40 8.27	40 8.46	40 8.62						
352	80	50-200	50-200	50-200	50-200							
		30 7.87	40 8.15	40 8.31	40 8.54							
396	90	65-200	50-200	50-200								
		40 7.60	40 8.27	40 8.46								
440	100	65-200	50-200									
		40 7.64	40 8.39									
484	110	65-200	65-200									
		40 7.68	50 7.87									
528	120	65-200	65-200									
		50 7.80	50 7.99									
572	130	65-200										
		50 7.87										
616	140	65-200										
		50 7.95										
660	150											

Trimmed form of the Impeller size 32.125-1 when indicated 2 diameters. (Trim parallel up to diam. 115, under diam. 115, trim according to the fig.)

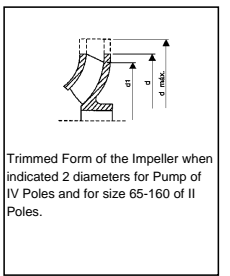
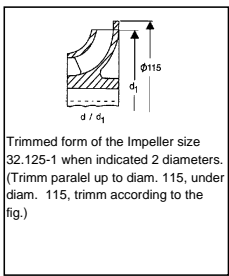
Trimmed Form of the Impeller when indicated 2 diameters for Pump of IV Poles and for size 65-160 of II Poles.

A
B
C

A - Pump Size
B - Motor Power (HP)
C - Nominal Impeller diameter (inch)

9.1 Megabloc quick selection - 4 pole motors - 60 Hz - 1750 rpm

Flow (GPM) (m ³ /h)	Head (ft) (m)	16	33	49	66	82	98	115	131	148	164
		5	10	15	20	25	30	35	40	45	50
22	5			32-200.1	32-200.1	32-250	32-250				
44	10			32-200	32-200	32-250	32-250				
66	15			40-160	32-200	32-250	32-250				
88	20			40-160	40-160	40-200	40-250	50-315	50-315	50-315	50-315
110	25			40-160	40-200	40-200	40-250	50-315	50-315	50-315	50-315
132	30			50-125	40-160	50-200	50-200	50-250	50-315	50-315	50-315
154	35			50-125	50-160	50-200	50-250	50-315	50-315	50-315	50-315
176	40			50-125	50-160	50-200	50-250	50-315	50-315	50-315	50-315
198	45			65-125	50-160	65-200	65-200	50-250	50-315	50-315	50-315
220	50			65-125	50-160	65-200	65-250	65-250	50-315	50-315	65-315
242	55			65-125	50-160	65-200	65-250	65-250	65-315	50-315	65-315
264	60			65-125	65-160	65-200	65-250	65-250	65-315	65-315	65-315
286	65			65-125	65-160	65-200	65-250	80-250	65-315	65-315	65-315
308	70			65-125	65-160	80-200	65-250	80-250	65-315	65-315	80-315
330	75			65-160	80-200	65-200	65-250	80-250	65-315	65-315	80-315
352	80			80-160	80-200	80-200	65-250	80-250	65-315	65-315	80-315
374	85			80-160	80-200	80-200	80-250	80-250	65-315	65-315	80-315
396	90			80-160	80-200	80-200	80-250	80-250	65-315	65-315	80-315
418	95			80-160	80-200	80-200	80-250	80-250	65-315	65-315	80-315
440	100			80-160	80-200	80-200	80-250	80-250	80-315	80-315	80-315
484	110			80-160	80-200	80-200	80-250	80-250	80-315	80-315	80-315
528	120			80-160	100-200	80-200	100-250	80-315	80-315	80-315	80-315
572	130			80-160	100-200	80-200	100-250	80-315	80-315	80-315	80-315
616	140			100-200	100-200	100-200	100-250	80-315	80-315	80-315	80-315
660	150			100-200	100-200	100-200	100-250	80-315	80-315	80-315	80-315
704	160			100-200	100-200	100-200	100-250	80-315	80-315	80-315	80-315
749	170			100-200	100-200	100-200	100-250	100-315	80-315	80-315	80-315
793	180			125-200	125-200	125-200	100-250	100-250	100-315	100-315	80-315
837	190			125-200	125-200	125-200	100-250	100-315	100-315	100-315	100-315
881	200			125-200	125-200	125-200	100-250	100-315	100-315	100-315	100-315
925	210			125-200	125-200	125-200	100-250	100-315	100-315	100-315	100-315
969	220			125-200	125-200	125-200	100-250	100-315	100-315	100-315	100-315
1057	240			125-200	125-200	125-200	100-250	100-315	100-315	100-315	100-315
1145	260			125-200	125-200	125-200	100-250	100-315	100-315	100-315	100-315
1233	280			125-200	125-200	125-200	100-250	100-315	100-315	100-315	100-315
1321	300			150-200	125-200	125-250	125-250	100-315	100-315	100-315	100-315
1409	320			150-200	125-200	125-250	125-250	100-315	100-315	100-315	100-315
1497	340			150-200	150-200	150-250	125-250	100-315	100-315	100-315	100-315
1585	360			150-200	150-200	150-250	150-250	100-315	100-315	100-315	100-315
1673	380			150-200	150-200	150-250	150-250	100-315	100-315	100-315	100-315
1761	400			150-200	150-200	150-250	150-250	100-315	100-315	100-315	100-315
1981	450			150-200	150-200	150-250	150-250	100-315	100-315	100-315	100-315
2202	500			150-200	150-200	150-250	150-250	100-315	100-315	100-315	100-315



A - Pump Size
B - Motor Power (HP)
C - Nominal Impeller diameter (inches)

10. Characteristics curves

Please refer to the Performance Curves Booklet.

Note: KSB reserves the right to alter the information presented in this manual without prior notice.

11.09.2007

A2744.0.1E/1

KSB Bombas Hidráulicas SA
Rua José Rabello Portella, 400
Várzea Paulista SP 13220-540
Brazil <http://www.ksb.com>
phone.: 55 11 4596 8500 Fax: 55 11 4596 8580
SAK – KSB Customer Service
e-mail: gqualidade@ksb.com.br
Fax: 55 11 4596 8656