

GIW® Minerals



HVF - High Volume Froth Pump for Air Entrained Slurries



Choose the GIW® Minerals HVF Pump for Air Entrained Slurries

Deaeration Chamber

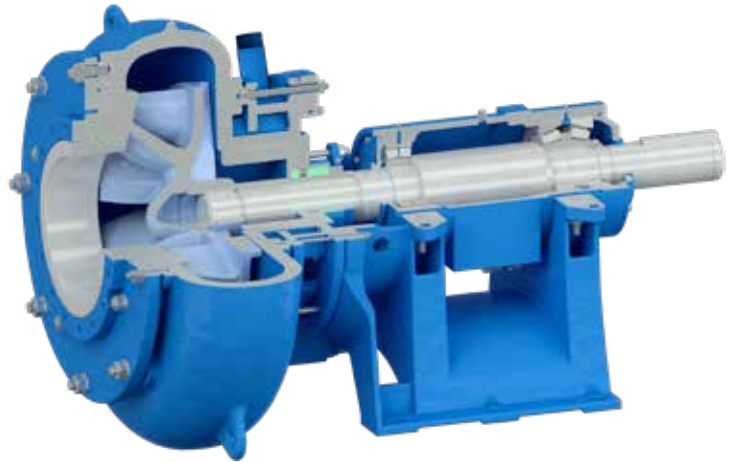
The HVF pump's innovative deaeration chamber removes air from the pumping process. This ensures active air clearing and an open path to the atmosphere, while reducing costly product losses and water additions.

Vented Impeller

The new patented hydraulic design of the HVF impeller removes air from the impeller eye while the pump is running for continuous operation.

Interchangeability

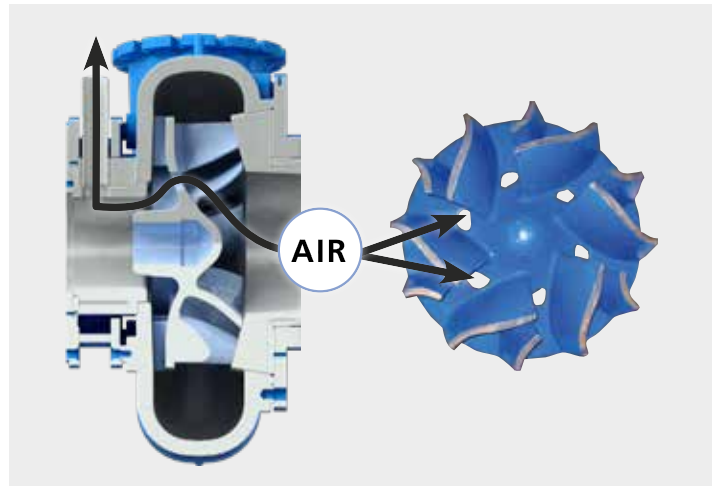
The HVF pump can be retrofit into any existing froth application. Fewer pumps are required for less capital expense as well as reduced power and water usage.



Reduce Downtime and Capital Costs

The HVF pump provides continuous operation without shutdown or operator intervention. The new hydraulic design removes air from the impeller eye while the pump is running - so you can keep your process moving!

As your slurry solutions partner, we have designed the HVF pump to be both cost friendly and environmentally friendly. To help you save on capital expenses, our engineers have designed the HVF pump to be retrofit into any existing froth application. Not only can this reduce your costs, it will also reduce water and power usage for a greener, more cost-effective process.



Does your slurry have high air content? The HVF can improve your overall efficiency and increase your profitability.

Technical Data

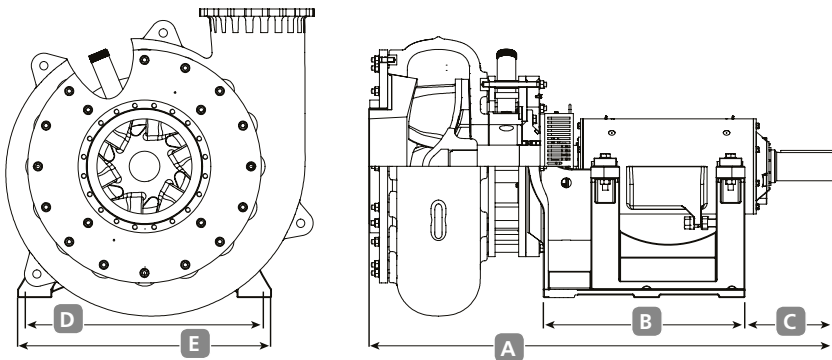
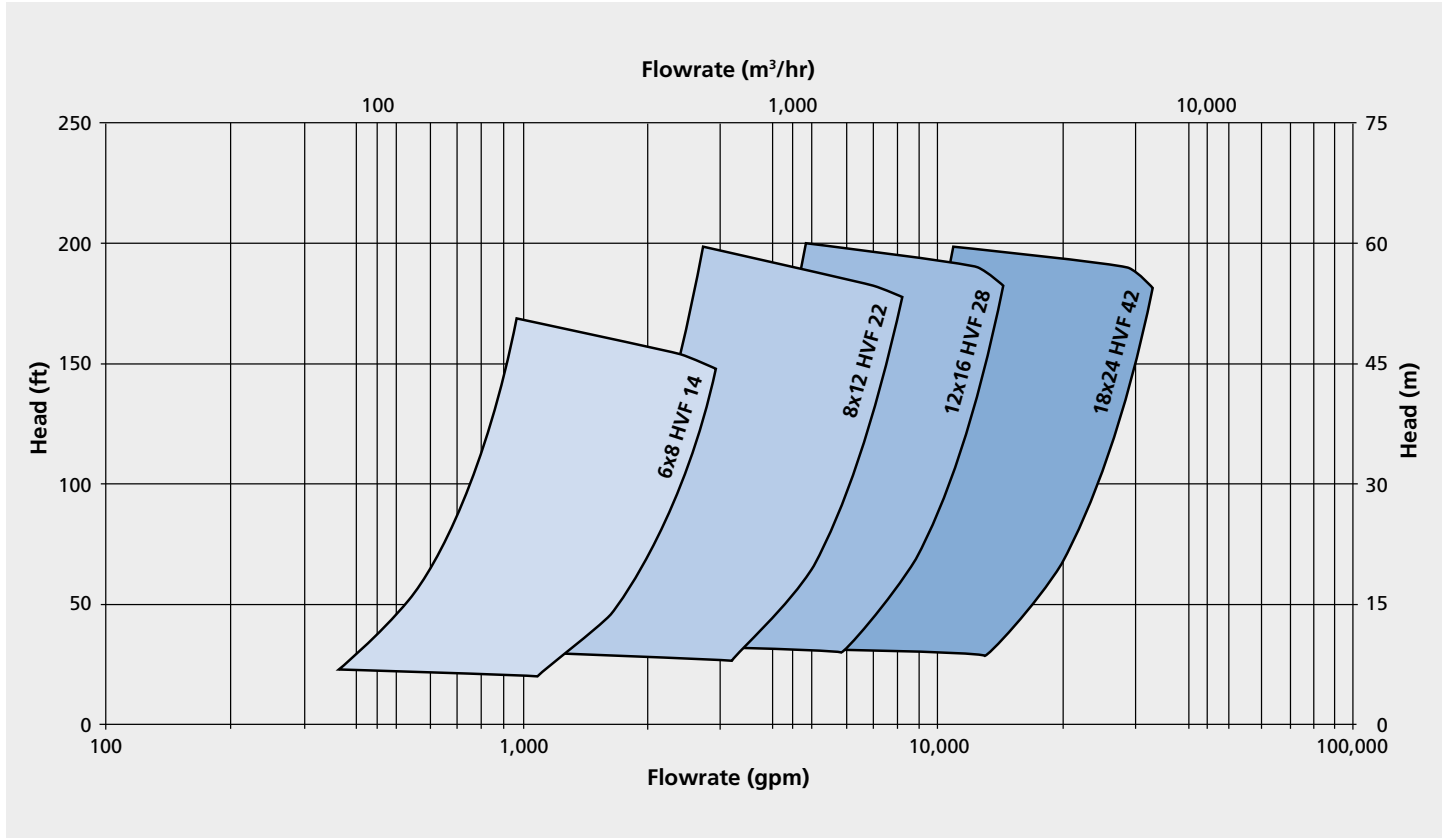
Discharge	150 to 450 mm
Flow rates	up to 31,700 gpm (up to 7,200 m ³ /h)
Total head	up to 165 ft (up to 50 m)
Pressure rating	up to 165 psi (up to 11 bar)

Applications

- Oil Sands
- Hard Rock Mining
- Mineral and Froth Processes

Whatever you need, it's here:

The HVF offers a wide selection range



	18 x 24	12 x 16	8 x 12	6 x 8
Suction*	24" ANSI	16" ANSI	12" ANSI	8" ANSI
Discharge*	20" ANSI	12" ANSI	8" ANSI	6" ANSI
A	2834 mm	1834 mm	1632 mm	1093 mm
B	1230 mm	696 mm	696 mm	496 mm
C	544 mm	422 mm	333 mm	181 mm
D	1425 mm	725 mm	725 mm	480 mm
E	1550 mm	800 mm	800 mm	530 mm

*Suction and Discharge sizes are ANSI equivalent.



GIW Minerals, Inc. (A KSB Company)
5000 Wrightsboro Road, Grovetown
Georgia 30813-2842, USA
www.giwminerals.com

GIW® Minerals